



Owners Manual

SnowFire System

Revision # 41

Covers Serial Numbers Starting:

SB144; 400-12040

SB120; 400-10937

SB108; 400-52913

SB96; 400-55335

SB72; 400-52267

Kage Innovation™ LLC
502 Simmon Dr. Osceola, WI 54020
kageinnovation.com
(844) 314 – KAGE



Kage Limited Warranty

Kage Innovation will repair or, at the option of Kage Innovation, replace those parts which prove defective due to material or workmanship under normal use for a period of two (2) years from the date of retail sale or date of invoice from Kage Innovation, whichever is later. Expendable items, such as rubber, or polyurethane are excluded from this warranty.

Kage Innovation warrants that the products manufactured by us to be in accordance with our published specifications or those specifications agreed to by us in writing at the time of sale. The obligation of Kage Innovation is expressly limited to repairing or replacing, at its option, any product not meeting such specifications within the warranty period.

LIMITATIONS OF WARRANTY AND DAMAGES

KAGE INNOVATION MAKES NO OTHER WARRANTY, EXPRESSED OR IMPLIED, AND MAKES NO WARRANTY OF MERCHANTABILITY OR OF FITNESS FOR ANY PARTICULAR PURPOSE. THERE ARE NO WARRANTIES WHICH EXTEND BEYOND THE FACE HEREOF.

IN NO EVENT SHALL KAGE INNOVATION, BE HELD LIABLE FOR SPECIAL, INCIDENTAL OR CONSEQUENTIAL DAMAGES OR FOR DAMAGES RESULTING FROM MISAPPLICATION, ABUSE, MISUSE, ACTS OF GOD, UNAUTHORIZED ALTERATION OF THE KAGE INNOVATION PRODUCT, OR SUBSTITUTION OF PARTS NOT AUTHORIZED IN WRITING BY KAGE INNOVATION.

To obtain service under this warranty the consumer must return the defective Kage Innovation product to Kage Innovation directly, the dealer from which the product was purchased or to any authorized Kage Innovation dealer, transportation and freight charges prepaid. Only Kage Innovation dealers are authorized to perform the obligations under this warranty with pre-authorization from Kage Innovation.

No person is authorized to alter or amend this warranty or to create any warranty other than that set forth herein without the expressed written consent of Kage Innovation.

Kage Innovation reserves the right to make improvement changes on any of our products without prior notice.

Important Notice for Bobcat® Users

Please note that for Bobcat brand machines the hoses should be routed through the **upper driver side hose clamp**, with the hoses elbows angled as shown. If a second option is needed route hoses through the **passenger hose clamp** shown in the second image. Once the hose routing is complete, adjust the hose length between the plow and the machine to be taught with the plow tipped all the way forward.

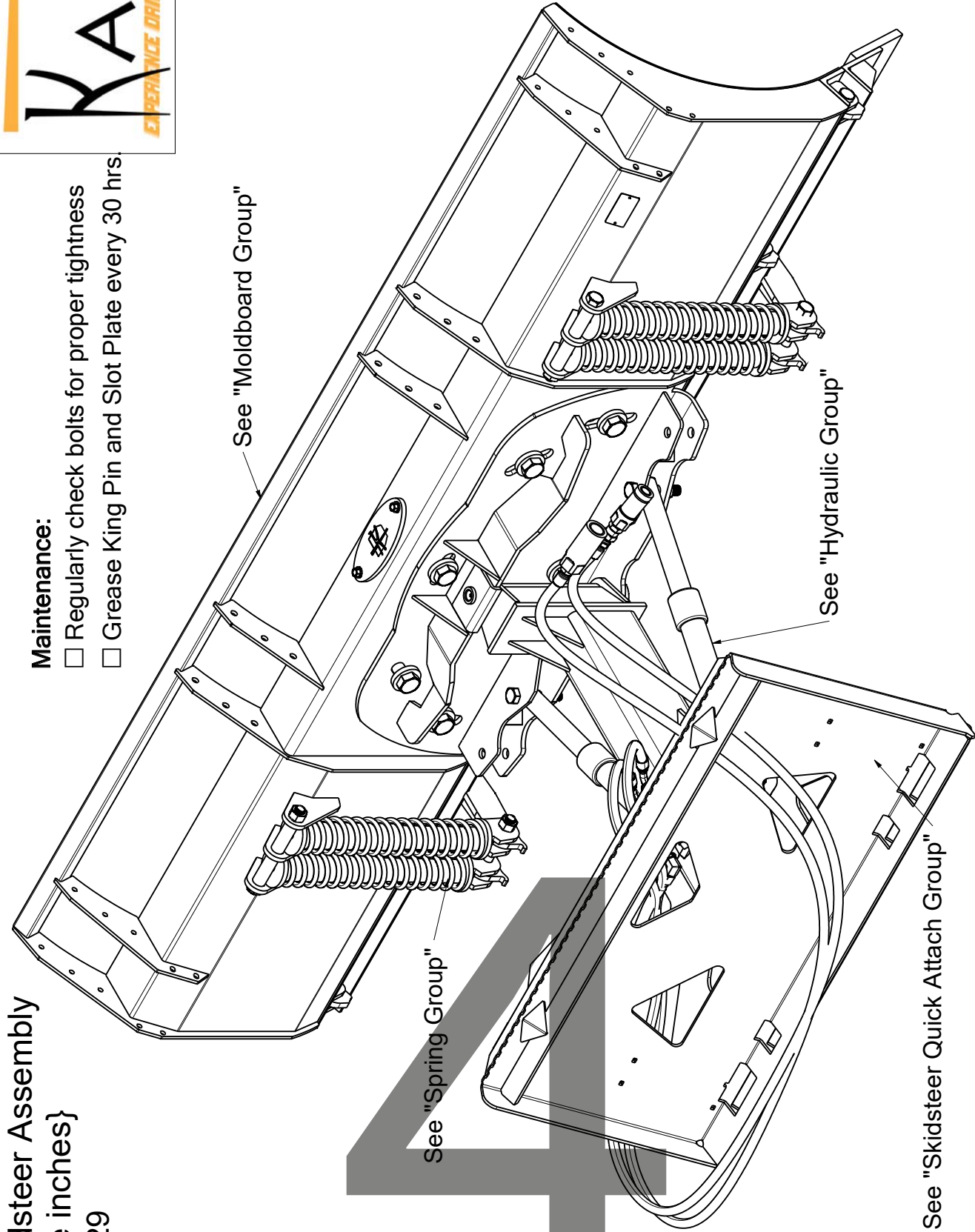


SF Skidsteer Assembly SB{size inches}

Version# 29

Maintenance:

- Regularly check bolts for proper tightness
- Grease King Pin and Slot Plate every 30 hrs

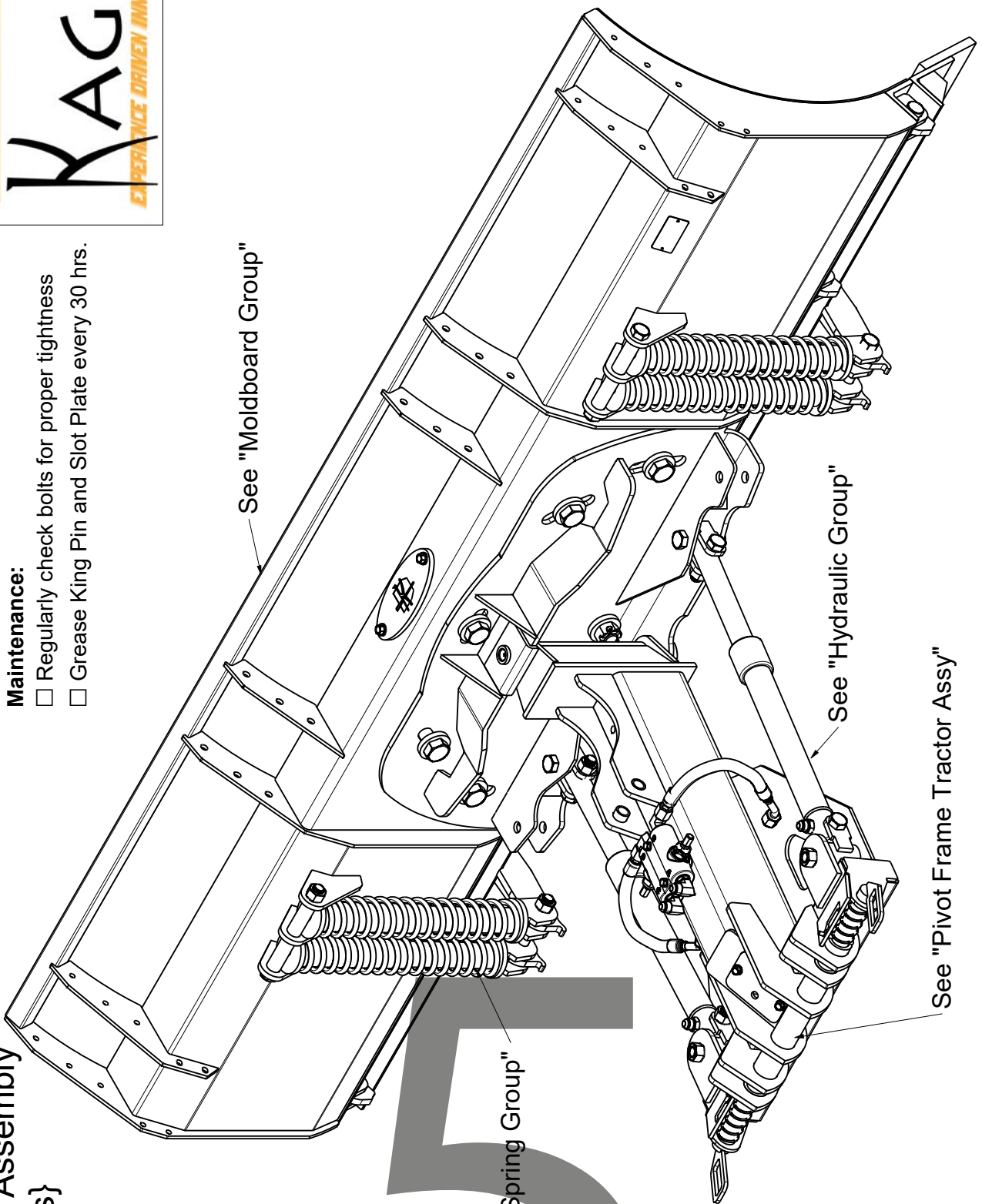


SF 2 Pin Tractor Assembly TB{size in inches}

Version#

Maintenance:

- Regularly check bolts for proper tightness
- Grease King Pin and Slot Plate every 30 hrs.



See "Moldboard Group"

See "Spring Group"

See "Hydraulic Group"

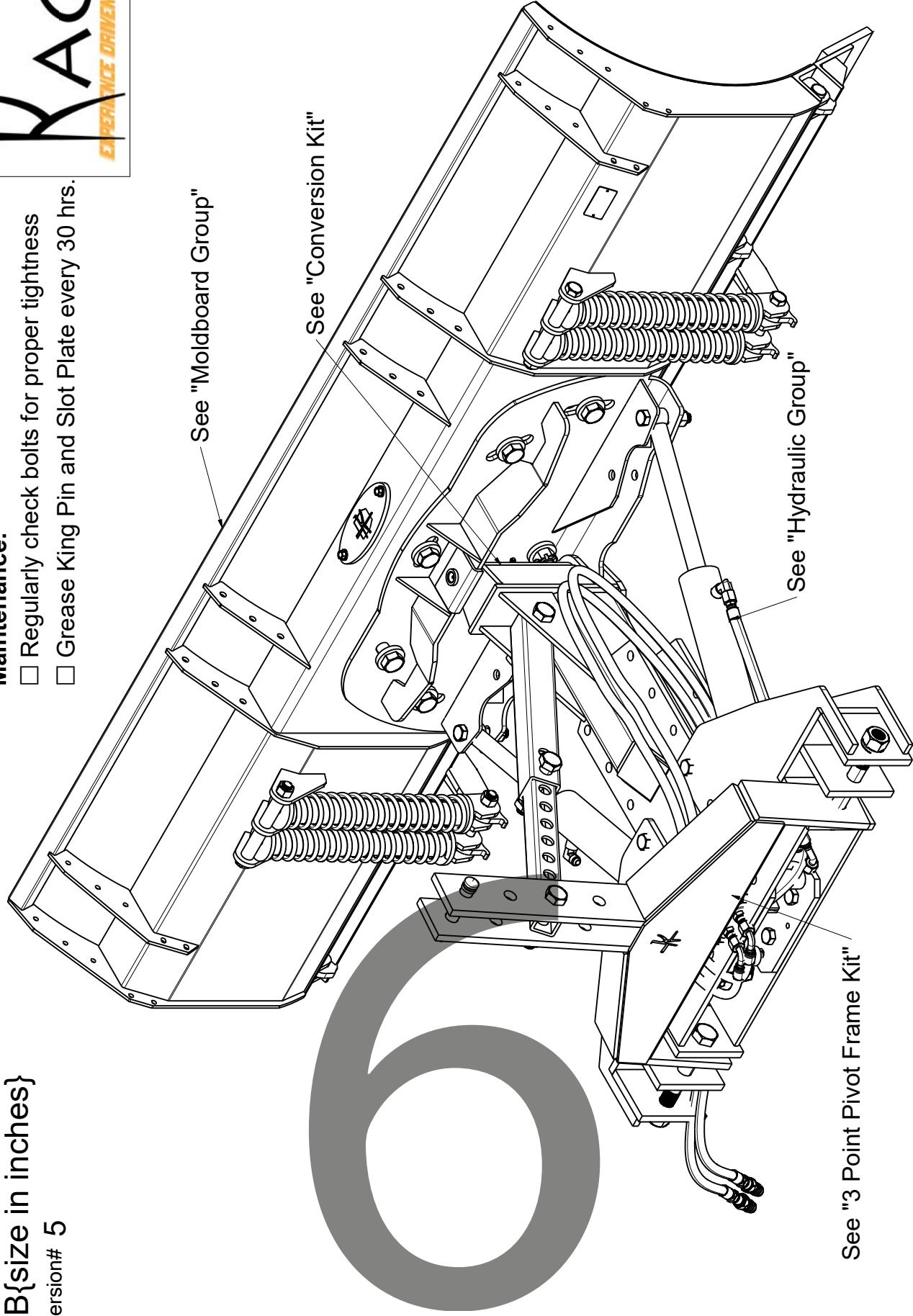
See "Pivot Frame Tractor Assy"

SF 3 Point Tractor Assembly 3B{size in inches}

Version# 5

Maintenance:

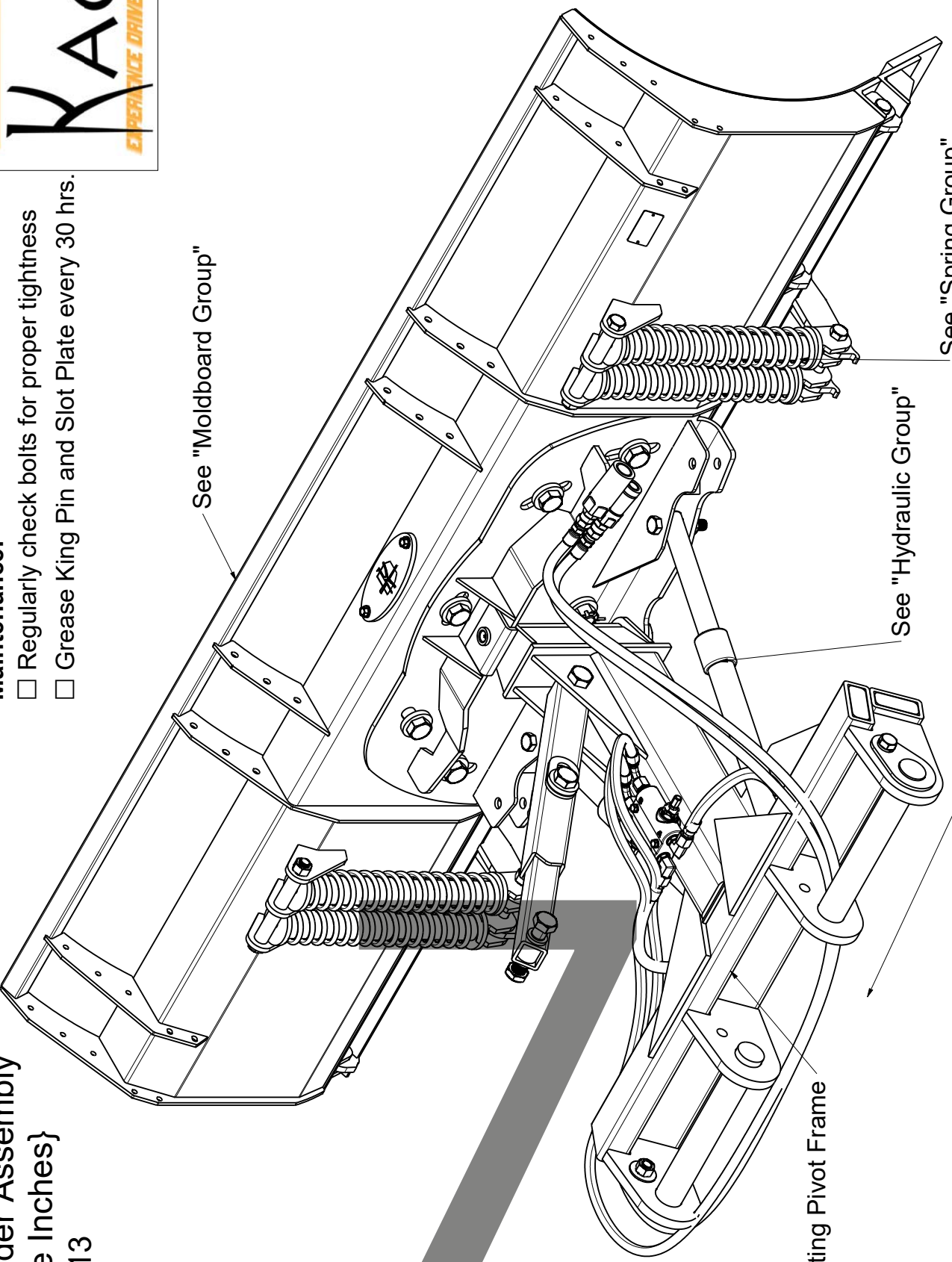
- Regularly check bolts for proper tightness
- Grease King Pin and Slot Plate every 30 hrs.



SF Loader Assembly
LB{Size Inches}
 Version# 13

Maintenance:

- Regularly check bolts for proper tightness
- Grease King Pin and Slot Plate every 30 hrs.

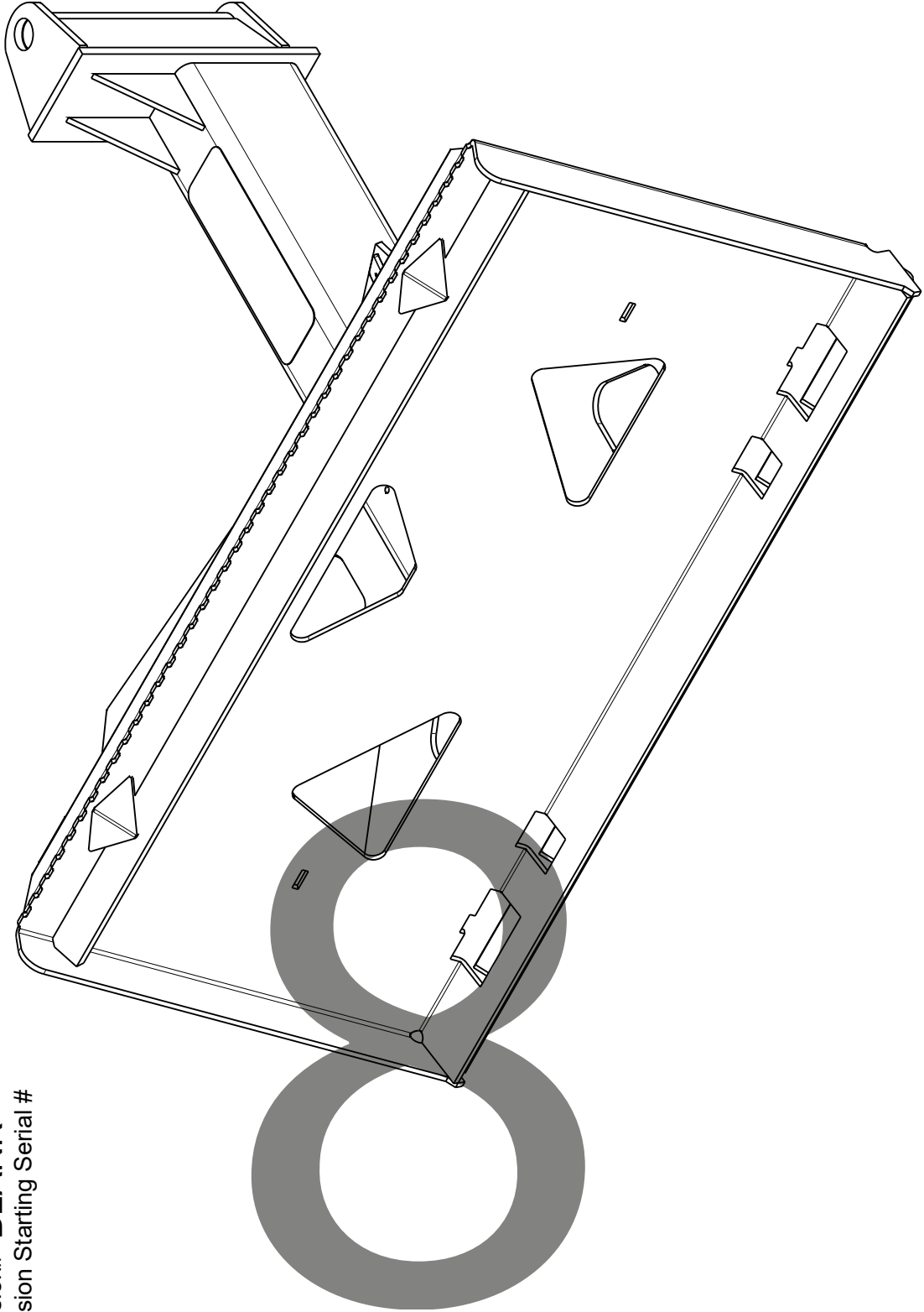


Select appropriate Loader Quick Attach (Not Shown)



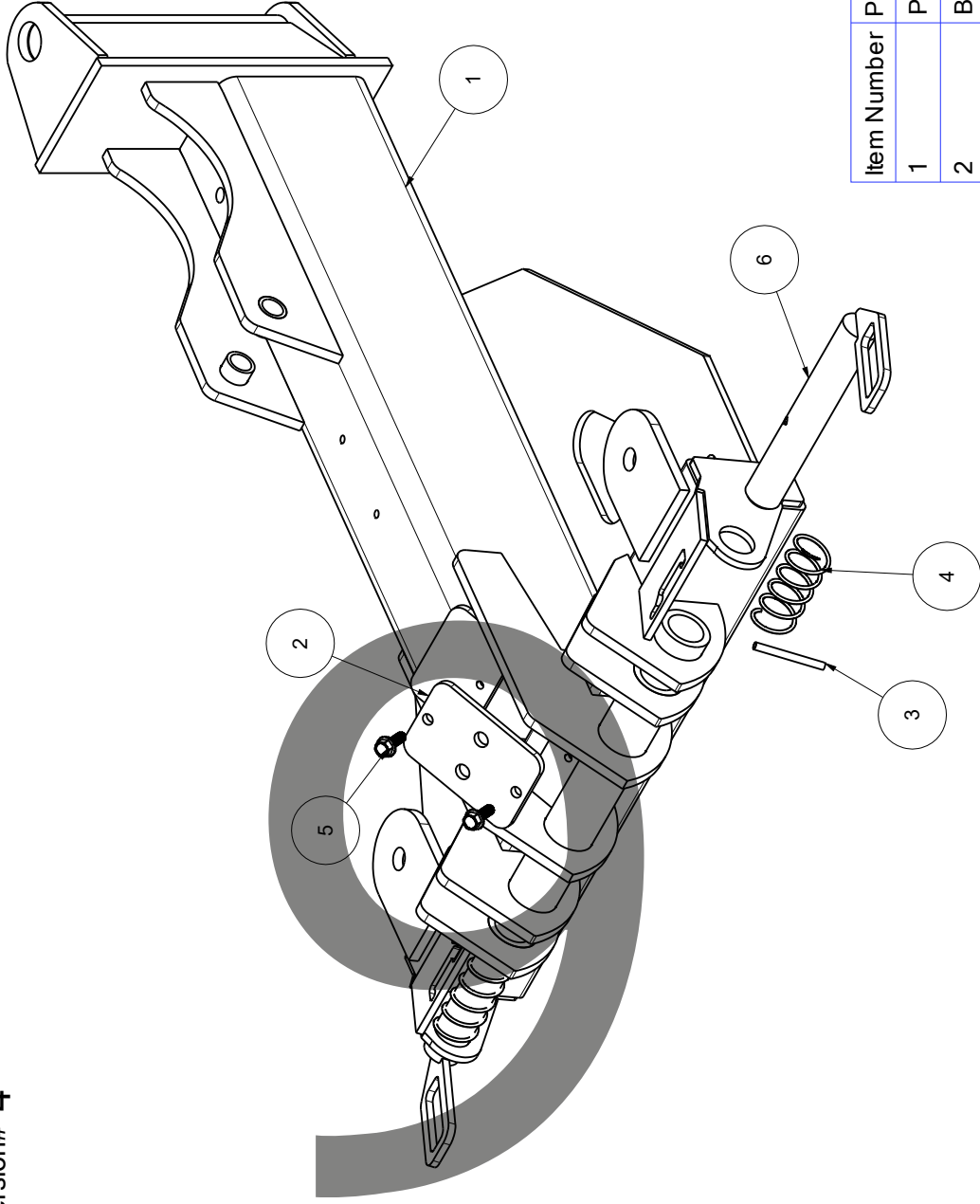


PIVOT FRAME Standard
PF-101-STANDARD
Version# BLANK
Version Starting Serial #



Pivot Frame Tractor Assy
 PF-101-TractorAssy

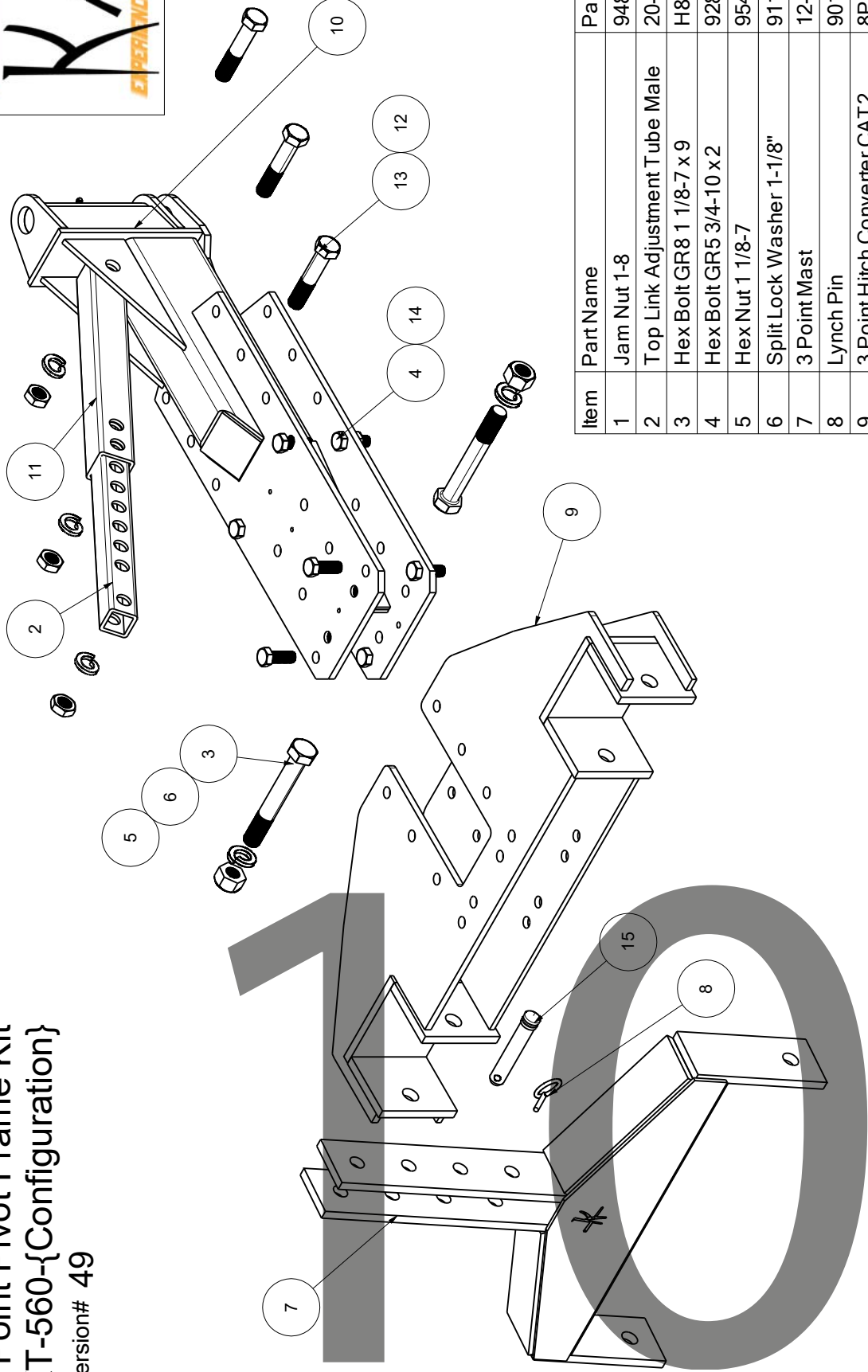
Version# 4



Item Number	Part Name	Part Number	Quantity
1	PIVOT FRAME Tractor	PF-101-Tractor	1
2	Bolt Flange	378-4	1
3	Tension Pin	95755A429	2
4	Spring, Pin	3135	2
5	Flange Hex Bolt GR5 5/16 - 18 x 1	92979A253	2
6	Locking Pin	PVN-2-A	2

3 Point Pivot Frame Kit KT-560-{Configuration}

Version# 49



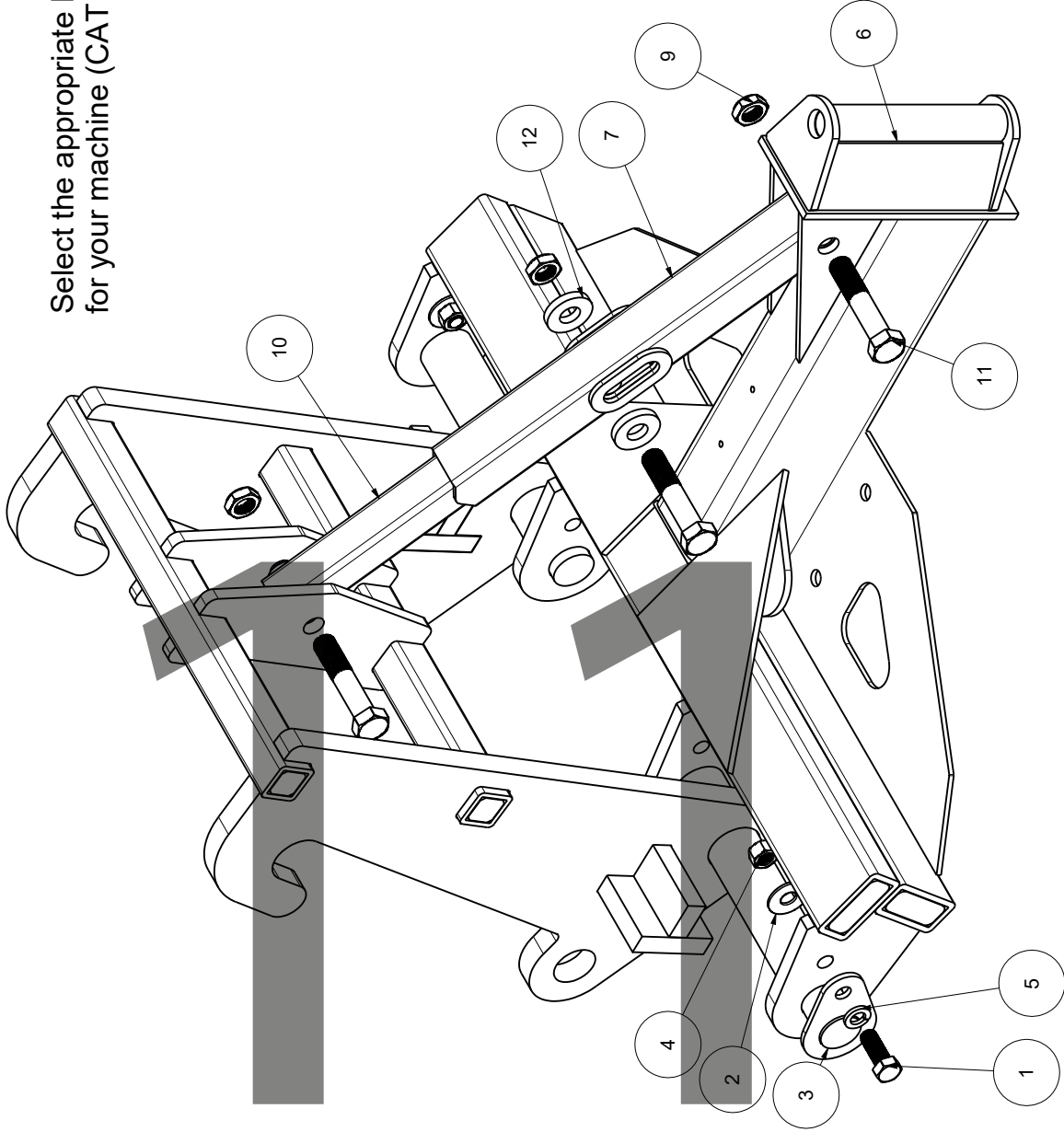
Item	Part Name	Part Number	Qty
1	Jam Nut 1-8	94846A550	3
2	Top Link Adjustment Tube Male	20-100	1
3	Hex Bolt GR8 1 1/8-7 x 9	H8P 113 0900 7	2
4	Hex Bolt GR5 3/4-10 x 2	92865A843	8
5	Hex Nut 1 1/8-7	95462A557	2
6	Split Lock Washer 1-1/8"	91102A039	2
7	3 Point Mast	12-200	1
8	Lynch Pin	90170A226	1
9	3 Point Hitch Converter CAT2	8P9-8200	1
10	PIVOT FRAME GROUP 3 POINT	KBW-PF-3POINT	1
11	Top Link Adjustment Tube Female	20-120	1
12	Lockwasher 1"	91102A038	3
13	Hex Bolt GR8 1-8 x 5	91257A965	3
14	CenterLocknut GR2 3/4-10	90040A147-K5	8
15	Top Link Pin	21262	1

SF Floating Pivot Frame Assy PF-101-Loader Assy-{Quick Attach P/n}

Version# 39



Select the appropriate Loader Quick Attach for your machine (CAT IT28 used for example)



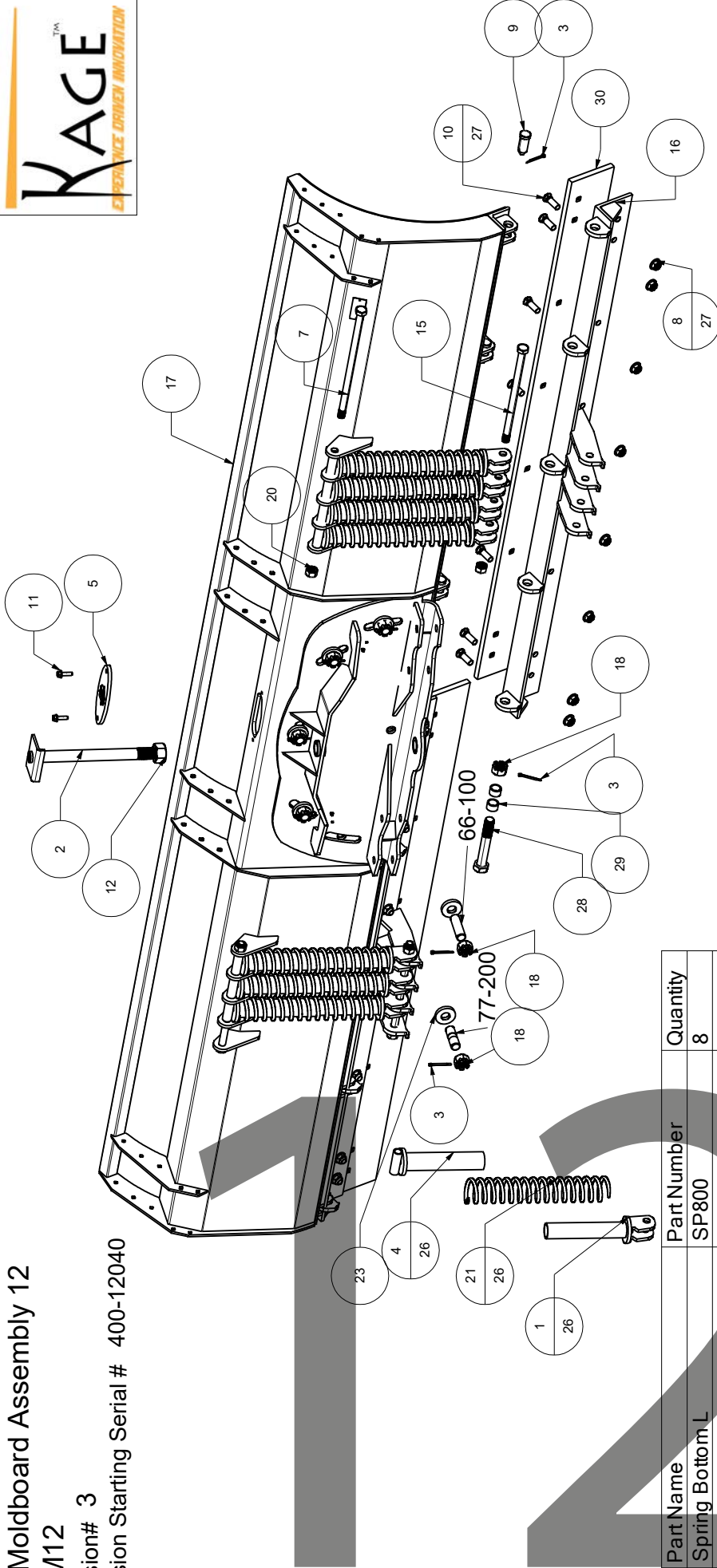
Item	Part Name	Part Number	Qty
1	Hex Bolt GR5 3/4-10 x 2	92865A843	2
2	3/4" Flat Washer	90108A036	2
3	Float Pin	67-001	2
4	Center Locknut GR2 3/4-10	90040A147-K5	2
5	Lockwasher 3/4	91102A036	2
6	Pivot Frame SF loaders	PF-101-Loader	1
7	Slotted Female Weldment	126-1	1
8	Top Link Bushing	201-3	2
9	1-8 Thin Hex Nylock Nut Gr5	91342A260	3
10	Male Tube Weldment	128-1	1
11	Hex Bolt GR8 1-8 x 5	91257A965	3
12	1-.375 washer	13W	2

SF Moldboard Assembly 12

SFM12

Version# 3

Version Starting Serial # 400-12040



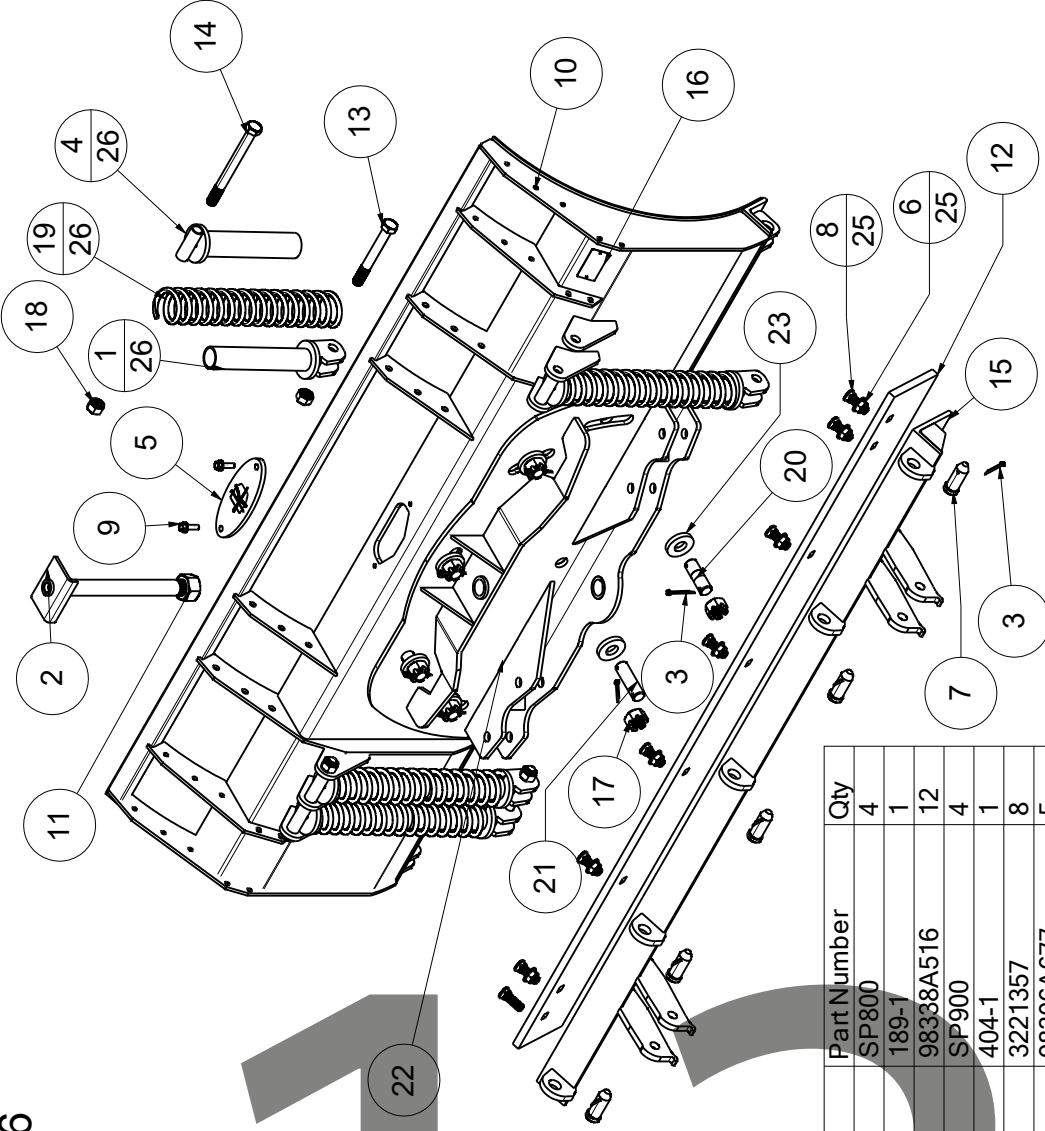
Item	Part Name	Part Number	Quantity
1	Spring Bottom L	SP800	8
2	KING PIN	189-1	1
3	Cotter Pin 3/16 x 2	98338A516	15
4	Spring Top L	SP900	8
5	Hole Cap	404-1	1
7	Hex Bolt Grade 2 .75-10 x 15	H2Z_075_1500_10	2
8	Flange Locknut 5/8-11	3221357	16
9	Clevis Pin	98306A677	8
10	Plow Bolt 5/8-11 x 2"	90934A802	16
11	Flange Hex Bolt 3/8 - 16 - 1.25	92979A348	2
12	Hex Locknut 1.25-7	93470A540	1
15	Hex Bolt Grade 2 .75-10 x 13	H2Z_075_1300_10	2
16	12 SF Base Angle 6	214-12	2
17	MOLDBOARD WELDMENT 12	SBM-12	1
18	Slotted Nut 1-8	97190A040-K8	7
19	Name Plate	KAGE001-11399-2	1

Item	Part Name	Part Number	Quantity
20	Center Locknut GR2 3/4-10	90040A147-K5	4
21	Spring 17	SP21	8
22	Cotter Pin, 3/16 x 1.5"	98338A270	1
23	1-.375 washer	13W	6
24	Kage Blade Decal	PB-01	1
26	Spring Group Complete	SP990	
27	Cutting Edge Bolt & Locknut Kit	PB582-SB144	
28	Hex Bolt GR8 1-8 x 6.5	91257A970-K5	1
29	Stop Bushing	909-4	2
30	Cutting edge 6' x 6"	SBC72	2
31	SLOT PLATE	153	1
32	GR8 Stud 1-8	66-100	
33	GR8 Stud Short 1-8	77-200	

SF Moldboard Assembly 6 SFM6

Version# 2

Version Starting Serial # 400-52267



Item	Part Name	Part Number	Qty
1	Spring Bottom L	SP800	4
2	KING PIN	189-1	1
3	Cotter Pin 3/16 x 2	98338A516	12
4	Spring Top L	SP900	4
5	Hole Cap	404-1	1
6	Flange Locknut 5/8-11	3221357	8
7	Clevis Pin	98306A677	5
8	Plow Bolt 5/8-11 x 2"	90934A802	8
9	Flange Hex Bolt 3/8 - 16 - 1.25	92979A348	2
10	MOLDBOARD WELDMENT 6	SBM-6	1
11	Hex Locknut 1.25-7	93470A540	1
12	Cutting edge 6' x 6"	SBC72	1
13	Hex Bolt GR5 3 4-10 x 6	91247A859	2
14	Hex Bolt GR5 3/4-10 x 8	91247A863	2
15	Base Angle SF 6	214-6	1
16	Name Plate	KAGE001-11399-2	1
17	Slotted Nut 1-8	97190A040-K8	6

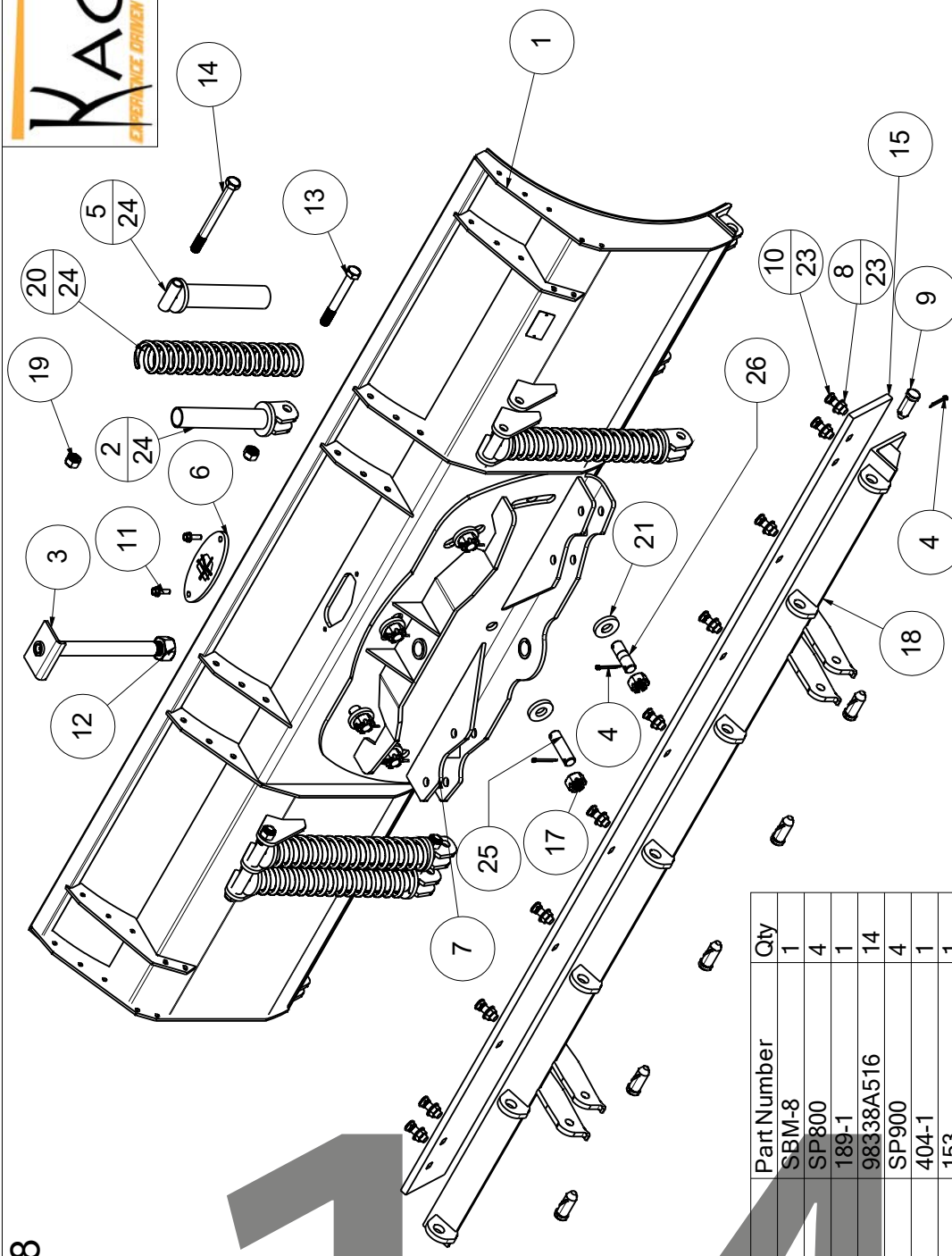
Item	Part Name	Part Number	Qty
18	Center Locknut GR2 3/4-10	90040A147-K5	4
19	Spring 17	SP21	4
20	GR8 Stud Short 1-8	77-200	5
21	GR8 Stud 1-8	66-100	1
22	SLOT PLATE	153	1
23	1-.375 washer	13W	6
24	Kage Blade Decal	PB-01	1
25	Bolt And Locknut Kit (#7 & #9)	PB582-SB72	0
26	Spring Group (see spring Group Complete	SP990	0

SF Moldboard Assembly 8

SFM8

Version# 2

Version Starting Serial # 400-55335



Item#	Part Name	Part Number	Qty
1	MOLDBOARD WELDMENT 8	SBM-8	1
2	Spring Bottom L	SP800	4
3	KING PIN	189-1	1
4	Cotter Pin 3/16 x 2	98338A516	14
5	Spring Top L	SP900	4
6	Hole Cap	404-1	1
7	SLOT PLATE	153	1
8	Flange Locknut 5/8-11	3221357	10
9	Clevis Pin	98306A677	7
10	Plow Bolt 5/8-11 x 2"	90934A802	10
11	Flange Hex Bolt 3/8 - 16 - 1.25	92979A348	2
12	Hex Locknut 1.25-7	93470A540	1
13	Hex Bolt GR5 3 - 4-10 x 6	91247A859	2
14	Hex Bolt GR5 3/4-10 x 8	91247A863	2
15	Cutting edge 8ft	SBC96	1
16	Name Plate	KAGE001-11399-2	1
17	Slotted Nut 1-8	97190A040-K8	6

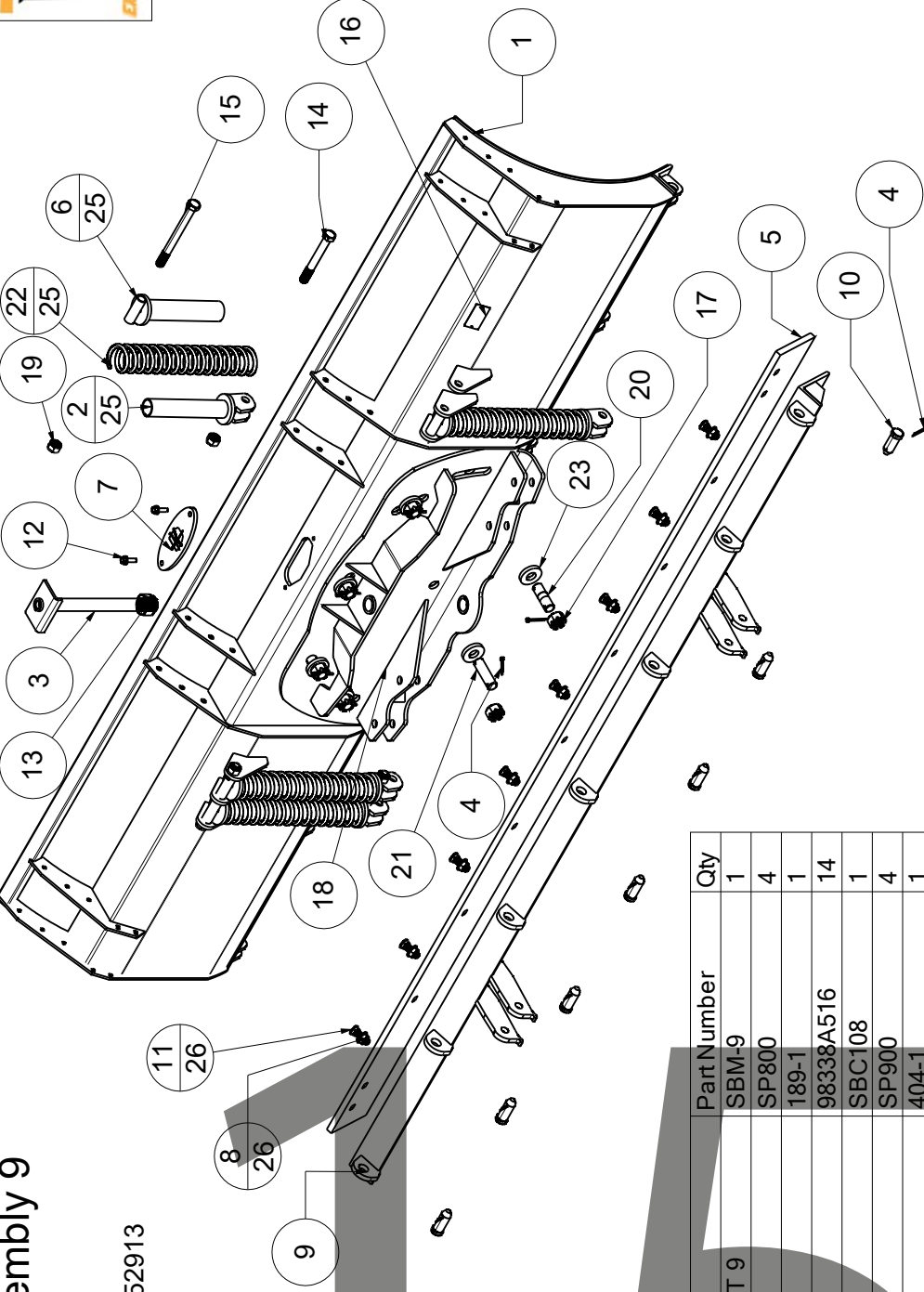
Item#	Part Name	Part Number	Qty
18	Base Angle SF 8	214-8	1
19	Center Locknut GR2 3/4-10	90040A147-K5	4
20	Spring 17	SP21	4
21	1-.375 washer	13W	6
22	Kage Blade Decal	PB-01	1
23	Bolt And Locknut Kit (#7 & #9)	PB582-SB96	1
24	Spring Group (see spring group)	SP990	1
25	GR8 Stud 1-8	66-100	1
26	GR8 Stud Short 1-8	77-200	5

SF Moldboard Assembly 9

SFM9

Version# SFM9

Version Starting Serial # 400-52913

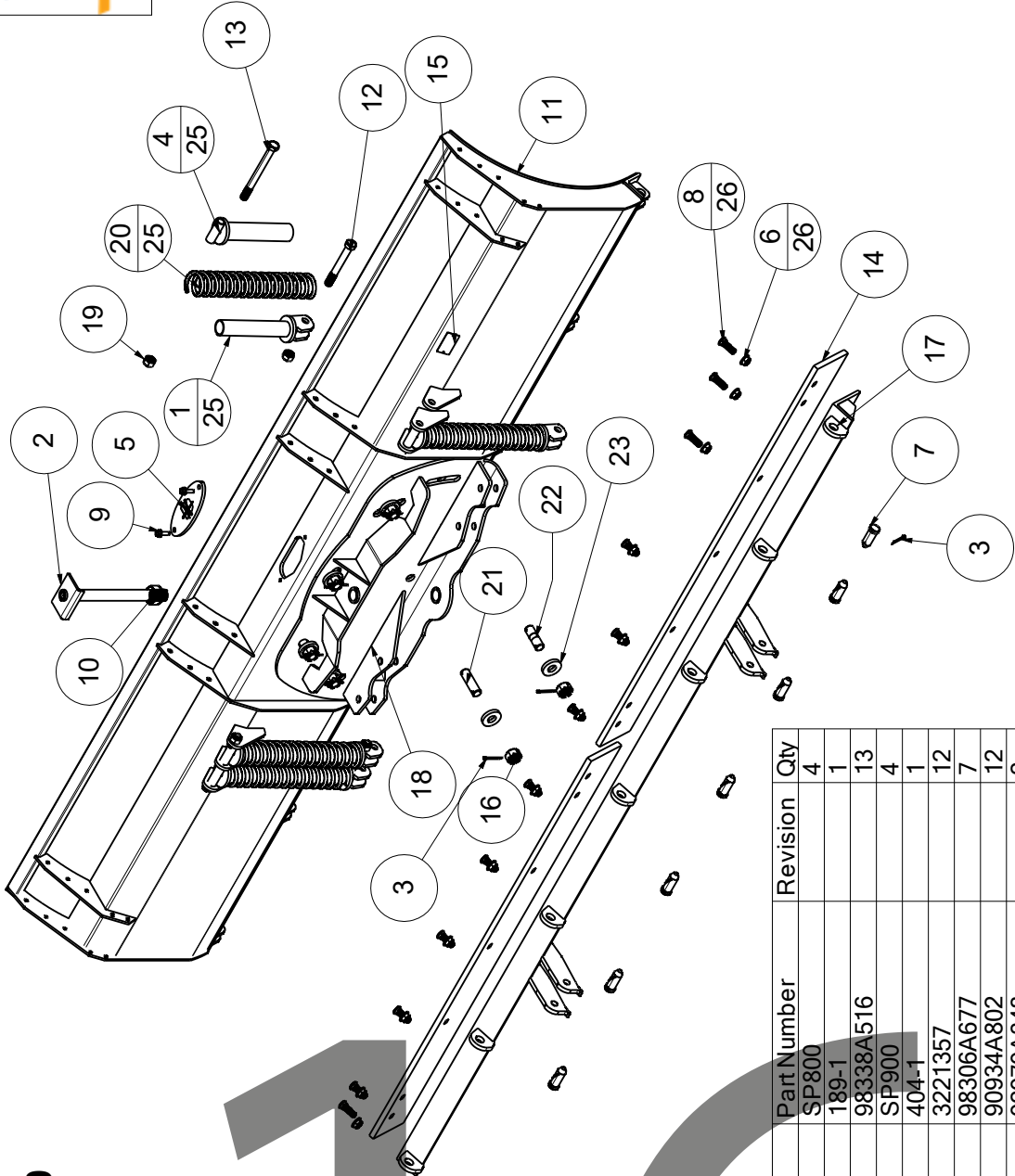


Item	Part Name	Part Number	Qty
1	MOLDBOARD WELDMENT 9	SBM-9	1
2	Spring Bottom L	SP800	4
3	KING PIN	189-1	1
4	Cotter Pin 3/16 x 2	98338A516	14
5	Cutting edge 9ft	SBC108	1
6	Spring Top L	SP900	4
7	Hole Cap	404-1	1
8	Flange Locknut 5/8-11	3221357	11
9	Base Angle SF 9	214-9	1
10	Clevis Pin	98306A677	7
11	Plow Bolt 5/8-11 x 2"	90934A802	11
12	Flange Hex Bolt 3/8 - 16 - 1.25	92979A348	2
13	Hex Locknut 1.25-7	93470A540	1
14	Hex Bolt GR5 3_4-10 x 6	91247A859	2
15	Hex Bolt GR5 3/4-10 x 8	91247A863	2
16	Name Plate	KAGE001-11399-2	1
17	Slotted Nut 1-8	97190A040-K8	6
18	SLOT PLATE	153	1

Item	Part Name	Part Number	Qty
19	Center Locknut GR2 3/4-10	90040A147-K5	4
20	GR8 Stud Short 1-8	77-200	5
21	GR8 Stud 1-8	66-100	1
22	Spring 17	SP21	4
23	1-.375 washer	13W	6
24	Kage Blade Decal	PB-01	1
25	Spring Group Complete (see spring group)	SP990	0
26	Bolt And Locknut Kit (#8 & #11)	PB582-SB108	0



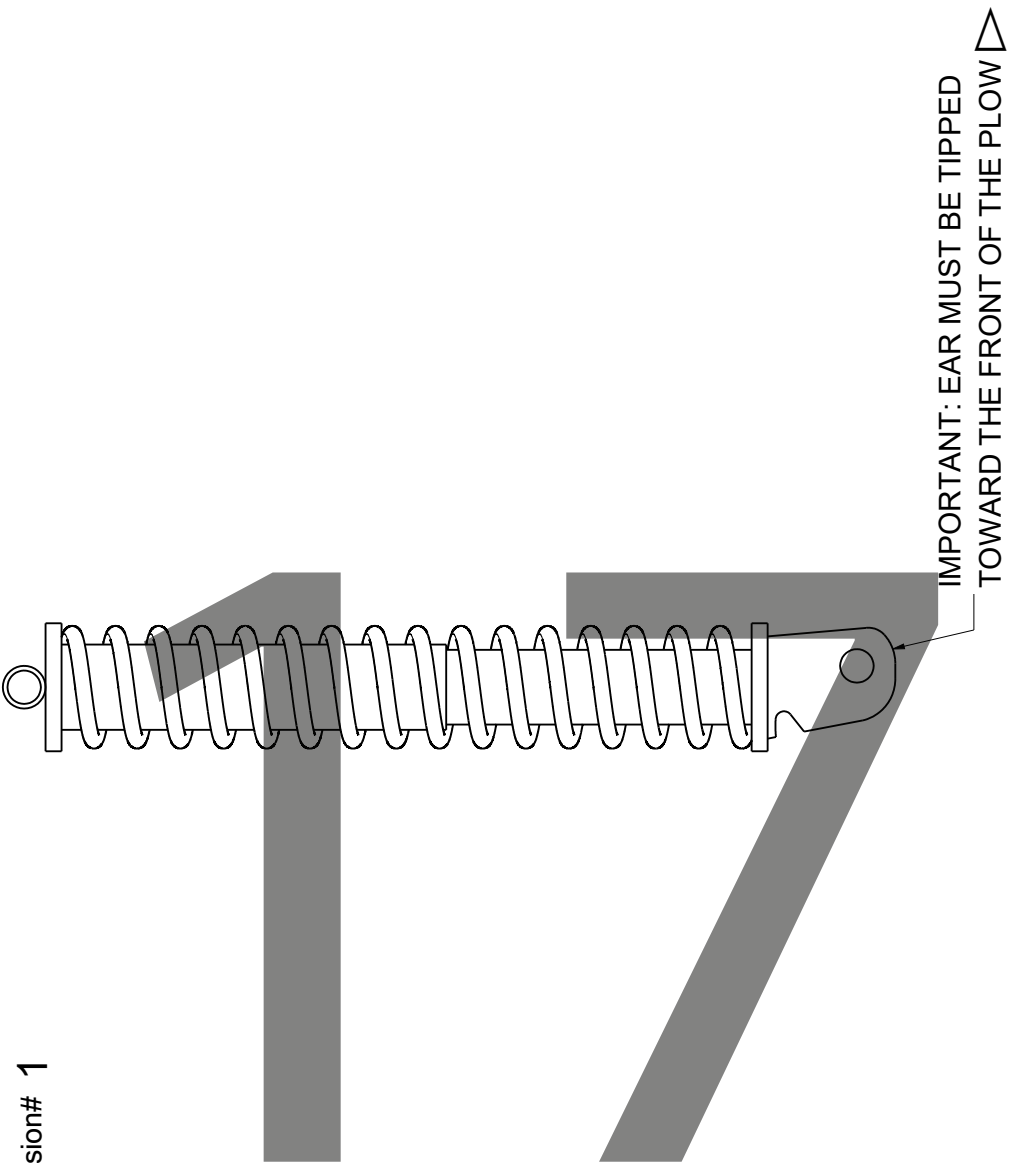
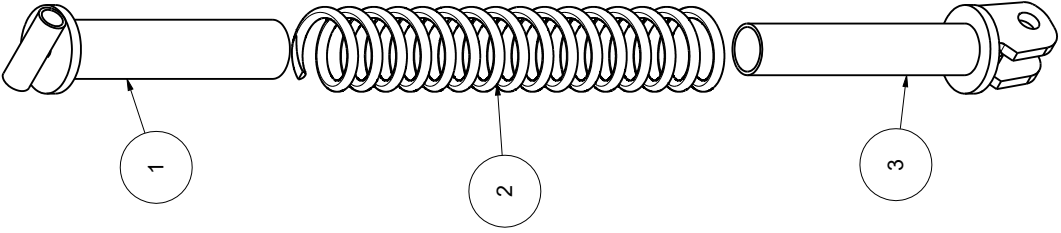
SF Moldboard Assembly 10
 Version# **SFM10**
 Version Starting Serial #400-10937



Item	Part Name	Part Number	Revision	Qty
1	Spring Bottom L	SP800		4
2	KING PIN	189-1		1
3	Cotter Pin 3/16 x 2	98338A516		13
4	Spring Top L	SP900		4
5	Hole Cap	404-1		1
6	Flange Locknut 5/8-11	3221357		12
7	Clevis Pin	98306A677		7
8	Flw Bolt 5/8-11 x 2"	90934A802		12
9	Flange Hex Bolt 3/8 - 16 - 1.25	92979A348		2
10	Hex Locknut 1.25-7	93470A540		1
11	MOLDBOARD WELDMENT 10	SBM-10		1
12	Hex Bolt GR5 3 4-10 x 6	91247A859		2
13	Hex Bolt GR5 3/4-10 x 8	91247A863		2
14	Cutting edge 5ft	SBC60		1
15	Name Plate	KAGE001-11399-2		1
16	Slotted Nut 1-8	97190A040-K8		6
17	Base Angle SF 10	214-10	2	2
18	SLOT PLATE	153		1

Item	Part Name	Part Number	Revision	Qty
19	Center Locknut GR2 3/4-10	90040A147-K5		4
20	Spring 17	SP21		4
21	GR8 Stud 1-8	66-100		1
22	GR8 Stud Short 1-8	77-200		5
23	1-.375 washer	13W		6
24	Kage Blade Decal	PB-01		1
25	Spring Group Complete (see spring_group)	SP990		0
26	Bolt And Locknut Kit (#9 & #7)	PB582-SB120		0

Spring Group SF
 SP990
 Version# 1



Item Number	Part Name	Part Number	Quantity
1	Spring Top L	SP900	1
2	Spring 17	SP21	1
3	Spring Bottom L	SP800	1

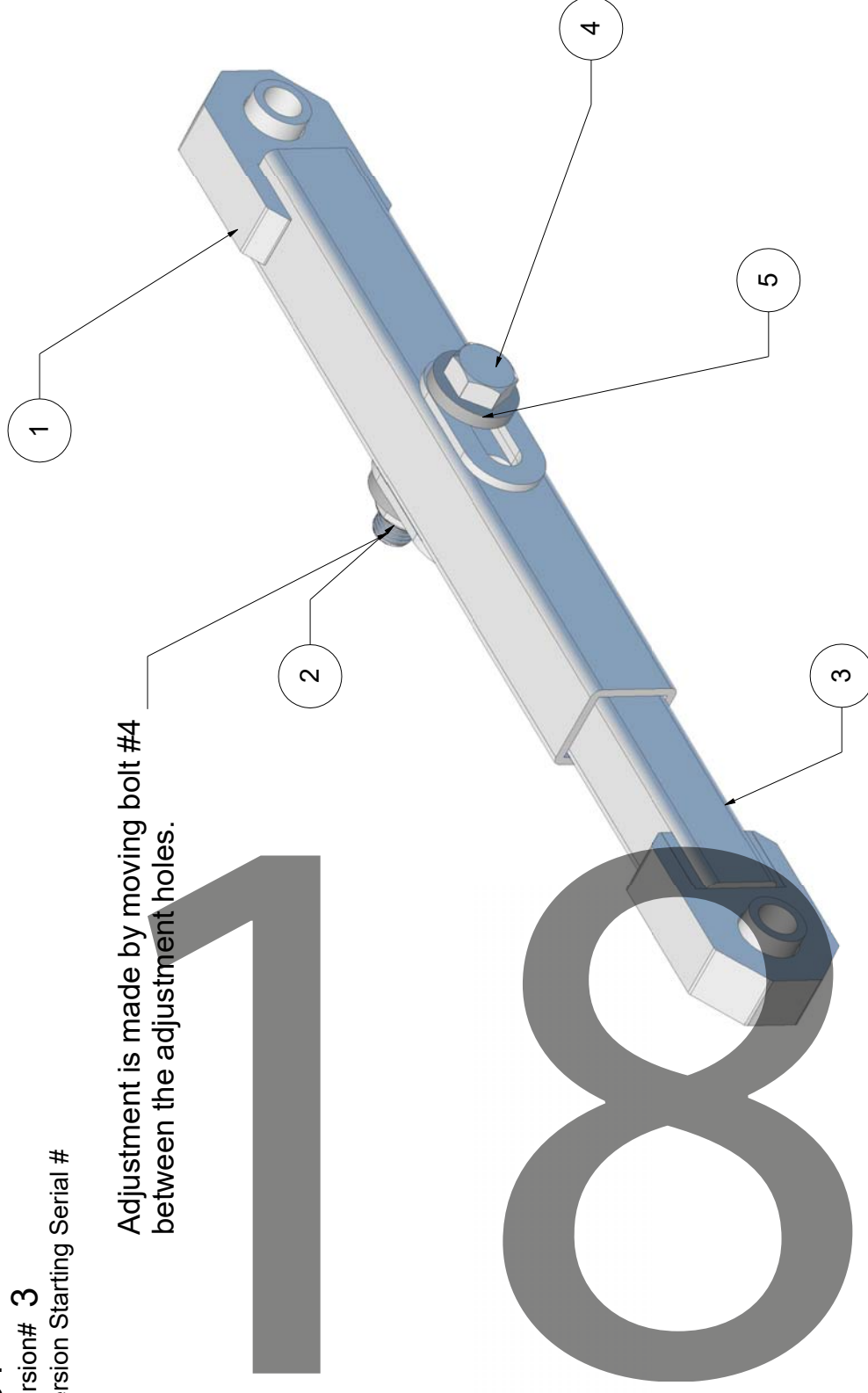
Floating Top Link 101

Version# 3

Version Starting Serial #



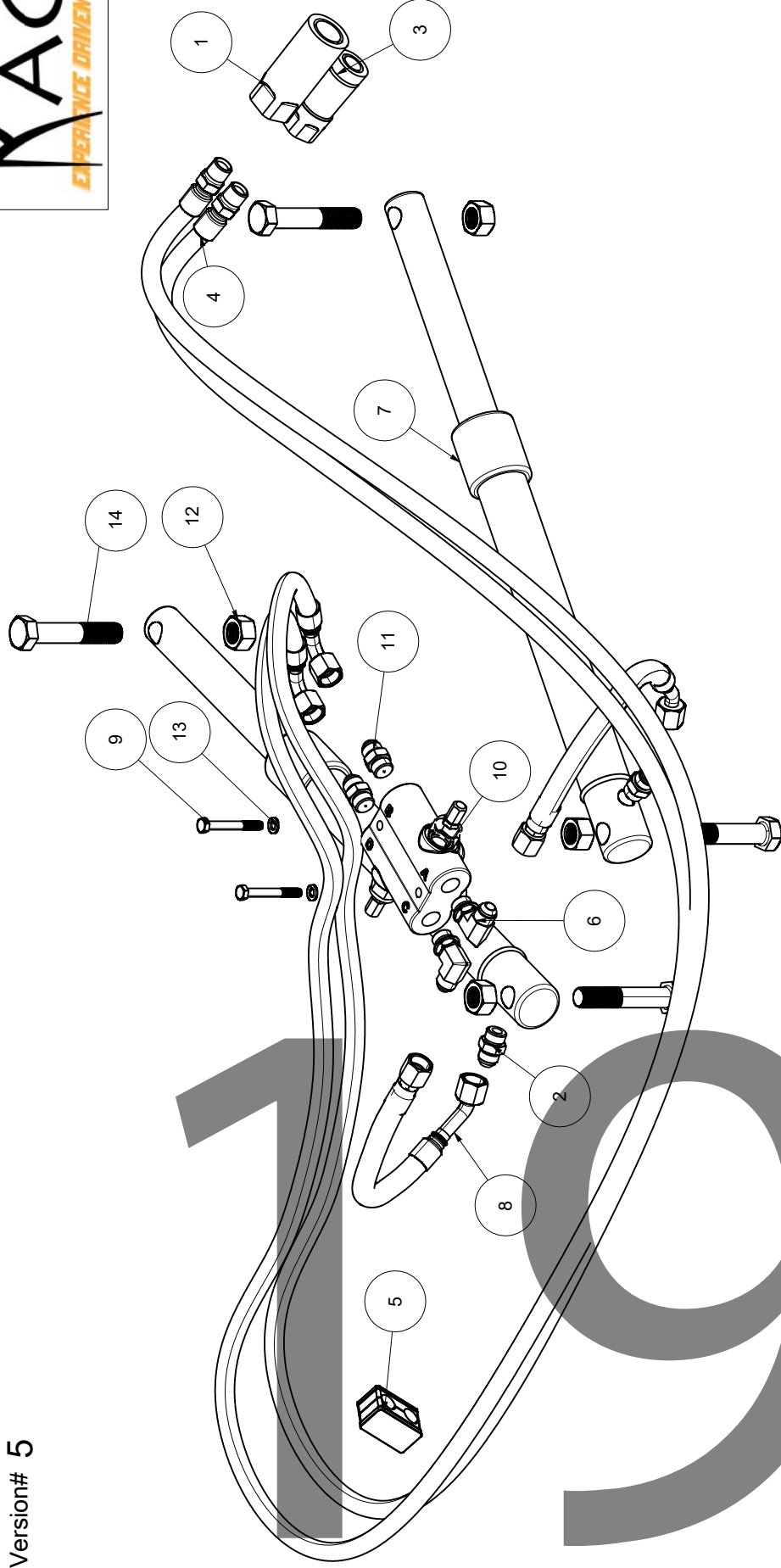
Adjustment is made by moving bolt #4
between the adjustment holes.



Item	Part Name	Part Number	Qty
1	Slotted Female Weldment	126-1	1
2	1-8 Thin Hex Nylock Nut Gr5	91342A260	1
3	Male Tube Weldment	128-1	1
4	Hex Bolt GR8 1-8 x 5	91257A965	1
5	1-.375 washer	13W	2

Hydraulic Group SF_w Crossover HYDROCO-SF

Version# 5

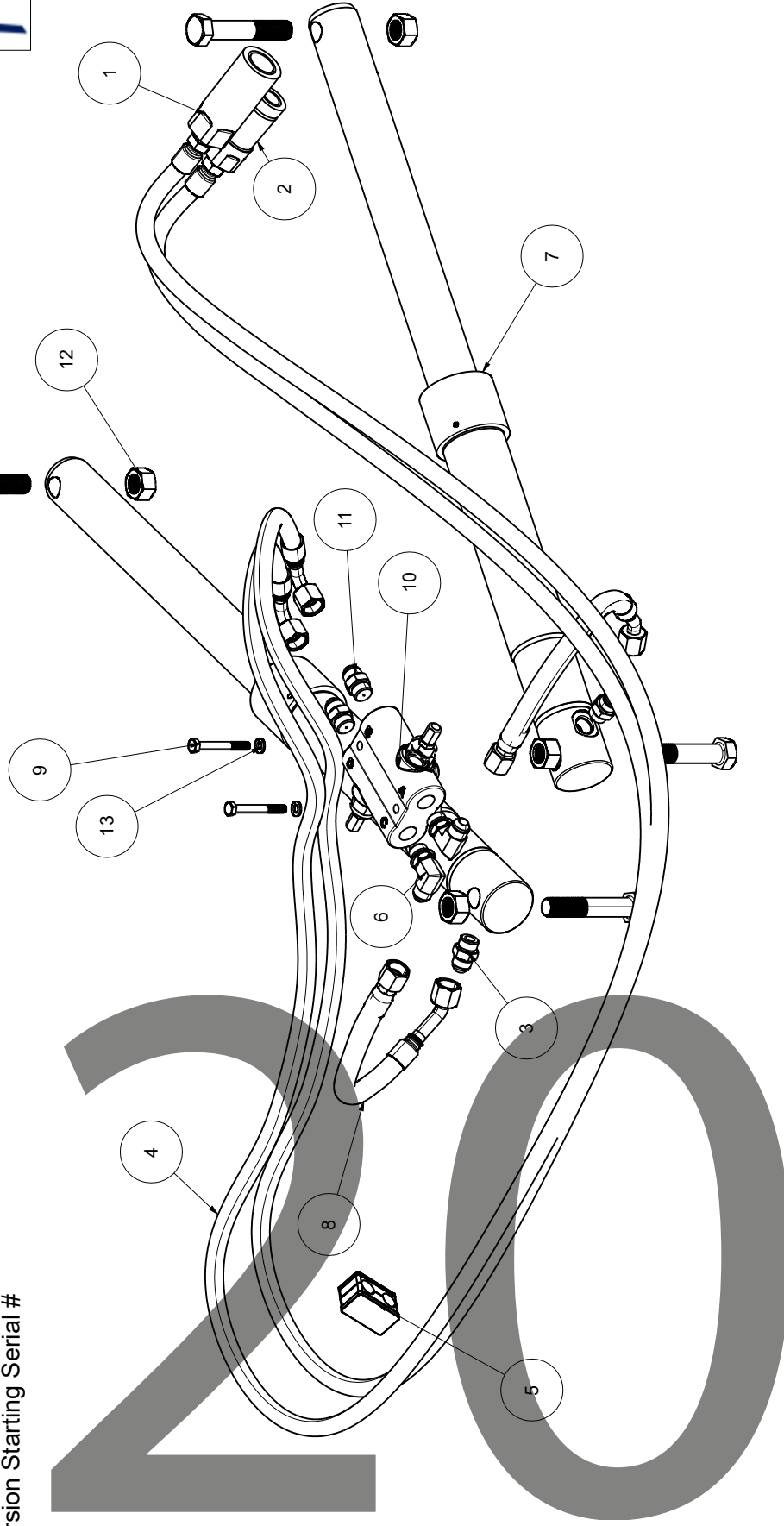


Item #	Part Name	Part Number	Qty	Item #	Part Name	Part Number	Qty
1	Hydro Coupler, Female	FEM-501-8FP-NL	1	8	Crossover Line	HY-701-ORB	2
2	JIC x ORB Straight	6400-0-08-08	2	9	Hex Bolt GR5 5/16-18 x 2.5	91247A593	2
3	Hydro Coupler, Male	FEM-502-8FP	1	10	Crossover Relief Valve	DRV-5HH-30-30-ORB	1
4	Hydro Line, Pass	HY-707	2	11	JIC x ORB Restrictor	6400R-08-08-.062	2
5	Beta Clamp	T3014-S	1	12	CenterLocknut GR2 3/4-10	90040A147-K5	4
6	JIC x ORB 90 Elbow	6801-NWO-08-08	2	13	Lockwasher, 5/16	ROC-8076-030	2
7	SF Hydro Cylinder	BK-0489-ORB-Nitro	2	14	Hex Bolt GR8 3/4-10 x 4"	91257A851	4

Hydraulic Group SF 12_w Crossover HYDROCO-SF12

Version#

Version Starting Serial #

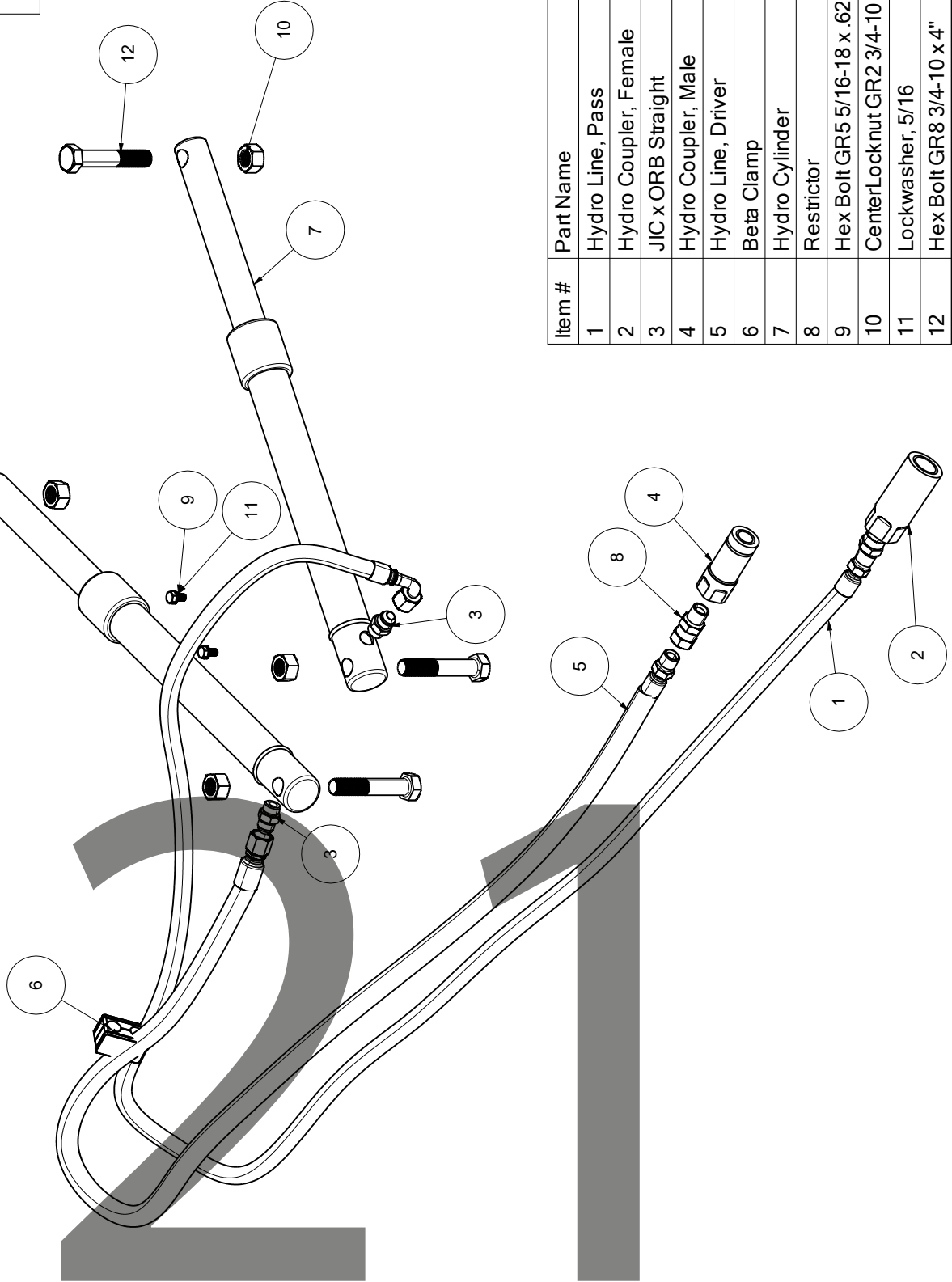


Item	Part Name	Part Number	Quantity
1	Hydro Coupler, Female	FEM-501-8FP-NL	1
2	Hydro Coupler, Male	FEM-502-8FP	1
3	JIC x ORB Straight	6400-0-08-08	2
4	Hydro Line, Pass	HY-707	2
5	Beta Clamp	T3014-S	1
6	JIC x ORB 90 Elbow	6801-NWO-08-08	2
7	2 Inch Angle Cylinder	BW-0662	2

Item	Part Name	Part Number	Quantity
8	Crossover Line	HY-701-ORB	2
9	Hex Bolt GR5 5/ 16-18 x 2.5	91247A593	2
10	Crossover Relief Valve	DRV-5RFF-30-30-ORB	1
11	JIC x ORB Restrictor	6400R-08-08-.062	2
12	CenterLocknut GR2 3/ 4-10	90040A147-K5	4
13	Lockwasher, 5/ 16	ROC-8076-030	2
14	Hex Bolt GR8 3/ 4-10 x 4"	91257A851	4

Hydraulic Group SF w_ o Crossover HYDROWOCO-SF

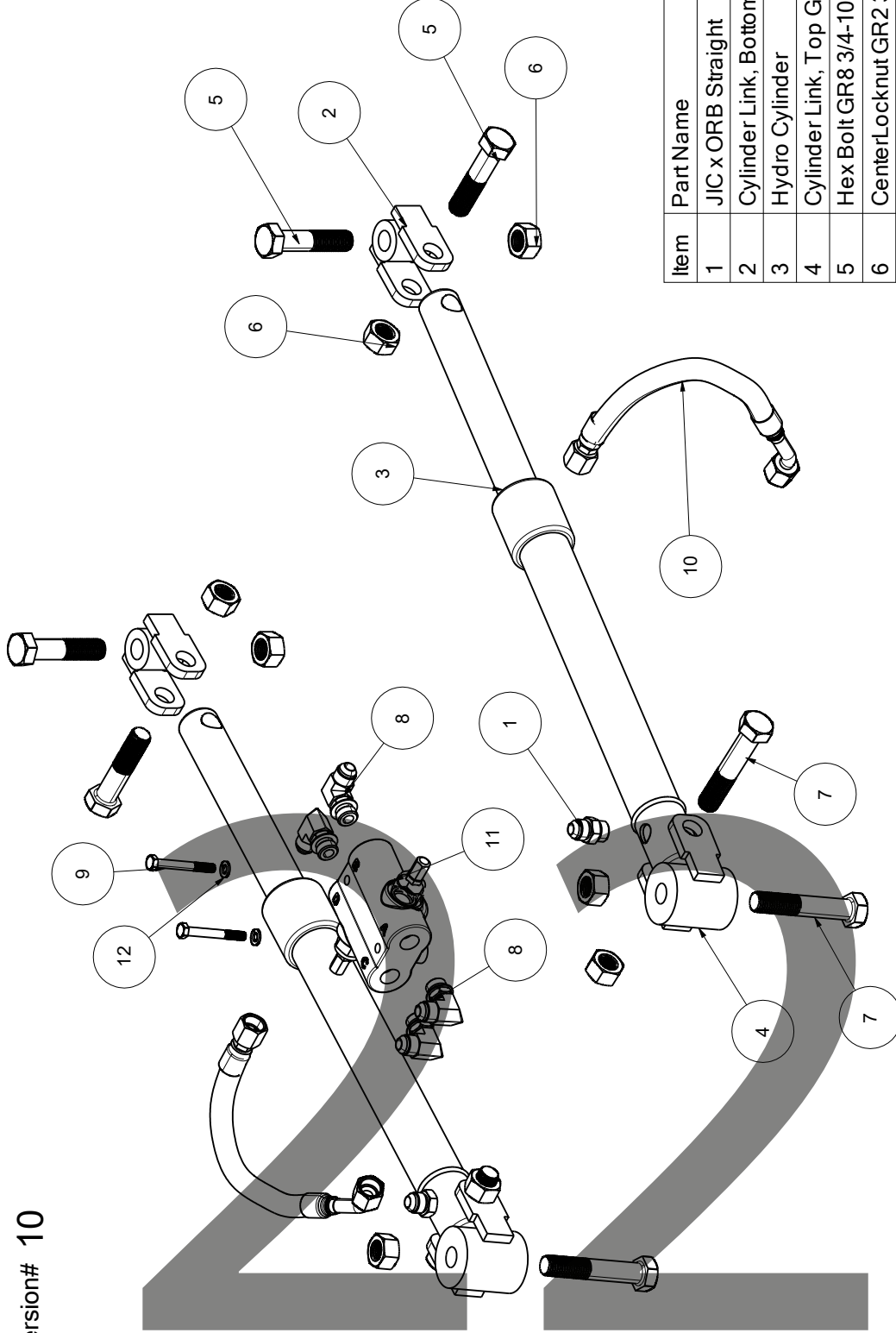
Version# 4



Item #	Part Name	Part Number	Qty
1	Hydro Line, Pass	HY-707	1
2	Hydro Coupler, Female	FEM-501-8FP-NL	1
3	JIC x ORB Straight	6400-0-08-08	2
4	Hydro Coupler, Male	FEM-502-8FP	1
5	Hydro Line, Driver	HY-708	1
6	Beta Clamp	T3014-S	1
7	Hydro Cylinder	BK-0489-ORB-Nitro	2
8	Restrictor	1404R-08-08 .062	2
9	Hex Bolt GR5 5/16-18 x .625	92865A580	2
10	CenterLocknut GR2 3/4-10	90040A147-K5	4
11	Lockwasher, 5/16	ROC-8076-030	2
12	Hex Bolt GR8 3/4-10 x 4"	91257A851	4

Hydraulic Group 2 Pin Tractor HYDRO2P-SF

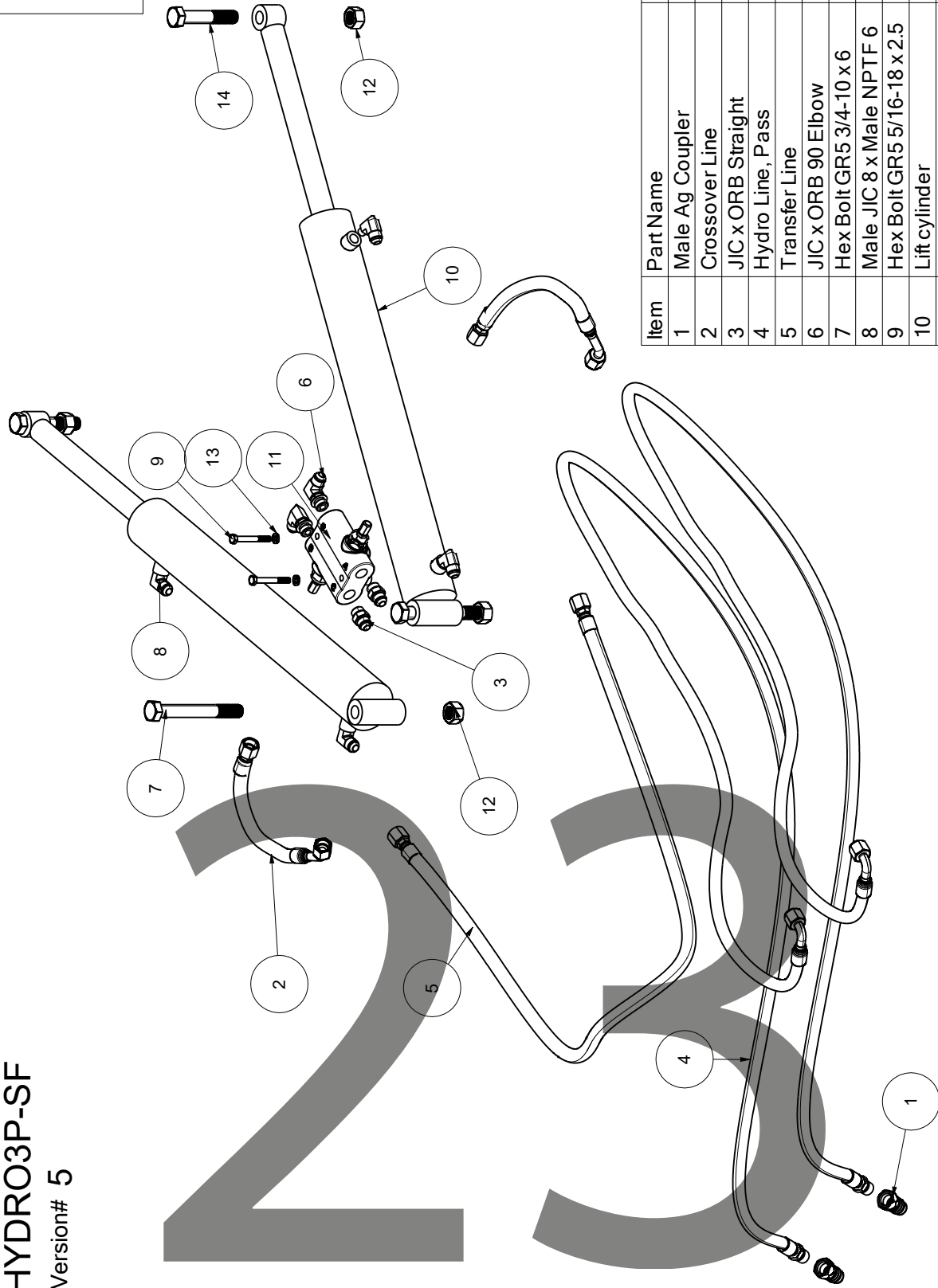
Version# 10



Item	Part Name	Part Number	Qty
1	JIC x ORB Straight	6400-0-08-08	2
2	Cylinder Link, Bottom Group	KL-875-2	2
3	Hydro Cylinder	BK-0489-ORB-Nitro	2
4	Cylinder Link, Top Group	KL-352-2	2
5	Hex Bolt GR8 3/4-10 x 3.25"	91257A848	4
6	CenterLocknut GR2 3/4-10	90040A147-K5	8
7	Hex Bolt GR8 3/4-10 x 4"	91257A851	4
8	JIC x ORB 90 Elbow	6801-NWO-08-08	4
9	Hex Bolt GR5 5/16-18 x 2.5	91247A593	2
10	Crossover Line	HY-701-ORB	2
11	Crossover Relief Valve	DRV-5HH-30-30-ORE	1
12	Lockwasher, 5/16	ROC-8076-030	2

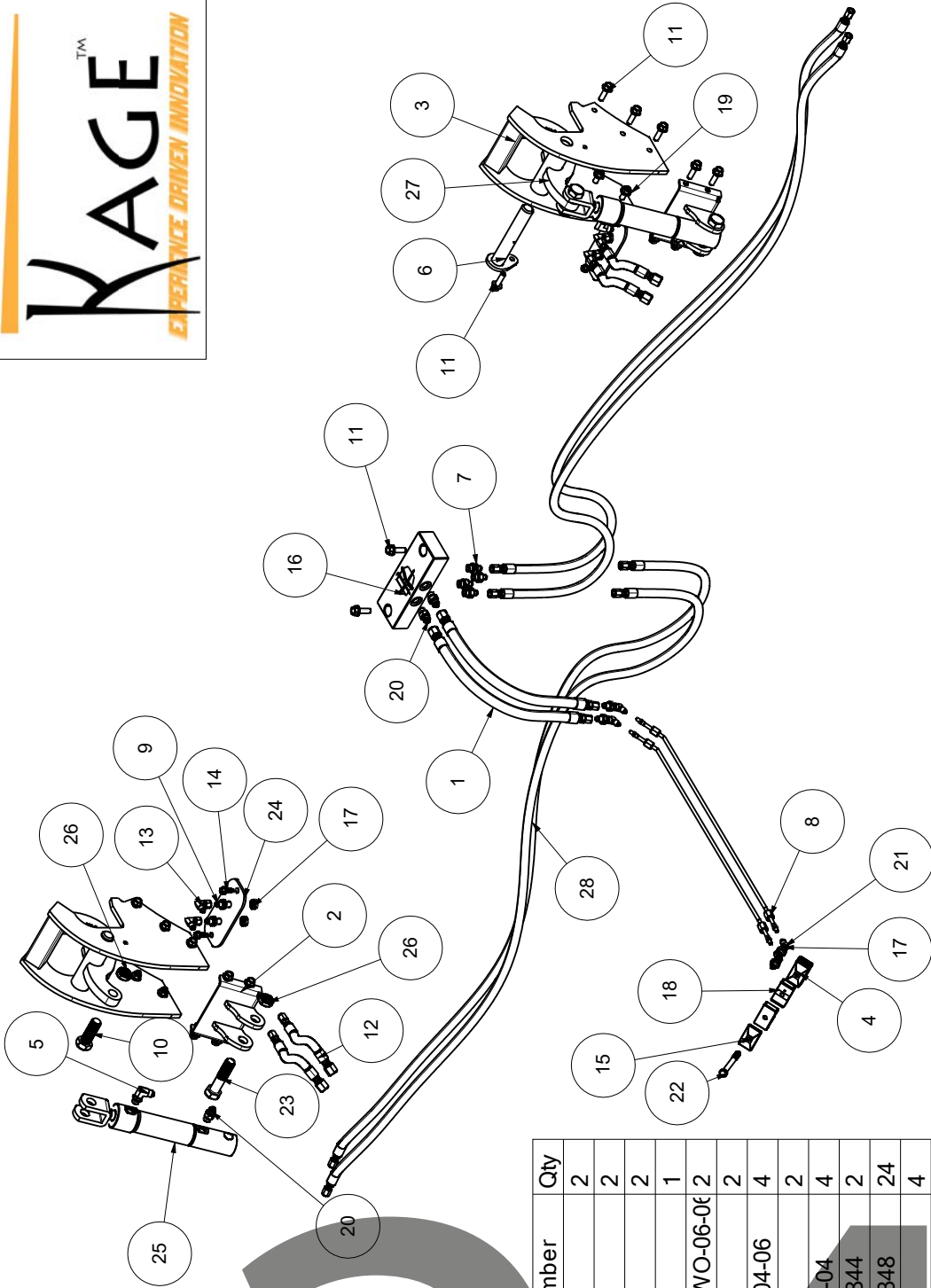
Hydraulic Group 3 Point Hitch to SF convert HYDRO3P-SF

Version# 5



Item	Part Name	Part Number	Quantity
1	Male Ag Coupler	19-400	2
2	Crossover Line	HY-701-ORB	2
3	JIC x ORB Straight	6400-0-08-08	2
4	Hydro Line, Pass	HY-707	2
5	Transfer Line	1-640	1
6	JIC x ORB 90 Elbow	6801-NWO-08-08	2
7	Hex Bolt GR5 3/4-10 x 6	91247A859	2
8	Male JIC 8 x Male NPTF 6	2501-08-06	4
9	Hex Bolt GR5 5/16-18 x 2.5	91247A593	2
10	Lift cylinder	PMC-5420	2
11	Crossover Relief Valve	DRV-5HH-30-30-ORB	1
12	Center Locknut GR2 3/4-10	90040A147-K5	4
13	Lockwasher, 5/16	ROC-8076-030	2
14	Hex Bolt GR8 3/4-10 x 4"	91257A851	2

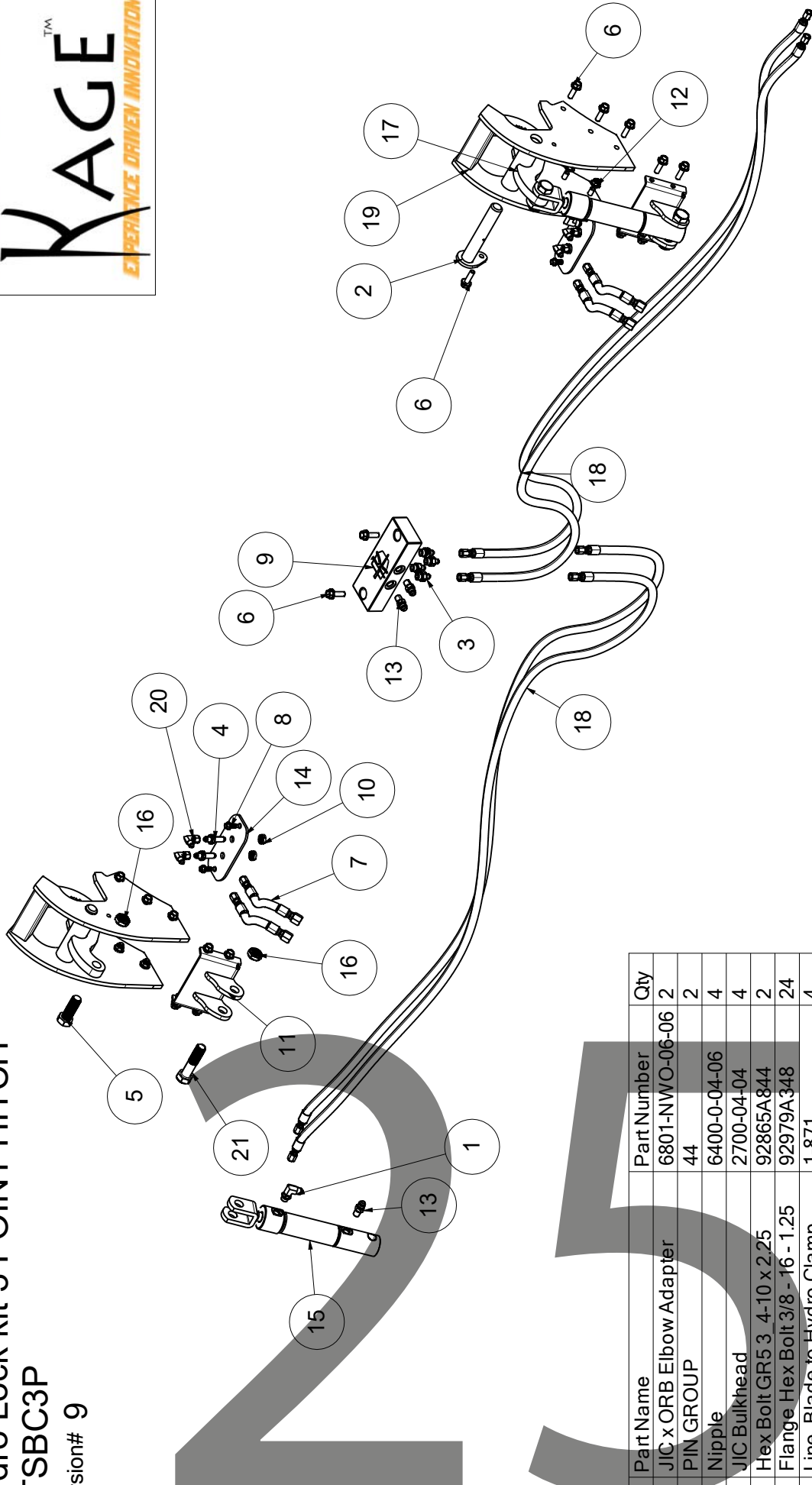
Hydro Lock kit 2 Point Hitch KTSBC2P Version# 93



Item	Part Name	Part Number	Qty
1	Line, Pivot - Dist. Block	1-453	2
2	CYLINDER BRACKET	40	2
3	TRACTOR BRACKET	094-2	2
4	Beta Clamp Riser	BC10	1
5	JIC x ORB Elbow Adapter	6801-NWO-06-06	2
6	PIN GROUP	44	2
7	JIC - Oring 04x06	6400-0-04-06	4
8	Steel Line, Pivot Frame	785-2	2
9	JIC Bulkhead 04x04	2700-04-04	4
10	Hex Bolt GR5 3/8 - 16 x 2.25	92865A844	2
11	Flange Hex Bolt 3/8 - 16 - 1.25	92979A348	24
12	Line, Blade to Hydro Clamp	1-871	4
13	JIC 90 Elbow 04X04	6500-04-04	4
14	SELF TAPPER 5/16-18	90064A705	4
15	Beta Clamp Cap	BC2	1
16	Distribution Block	C11275	1
17	Bulkhead Nut GR5 7_16-20	94846A520	8
18	Beta Clamp Body	BC10	2
19	Flange Locknut, 3/8 - 16	93298A130	12
20	JIC - Oring 06x06	6400-0-06-06	4
21	Male JIC Bulkhead 45deg	2702-LN-04-04	4

Item	Part Name	Part Number	Qty
22	Hex Bolt GR5 3/8-16 x 3.25	91247A637	1
23	Hex Bolt GR8 3/4-10 x 3.25"	91257A848	2
24	Line Cap	11-201	2
25	Hydro Lock Cylinder	BM-0413	2
26	GR5 Hex Nut Thin Nylock 3/4-10	91342A230	4
27	Clamp Group	387	2
28	Line, Dist Block to Bulkhead LG	1-670	4

Hydro Lock kit 3 POINT HITCH KTSBC3P Version# 9

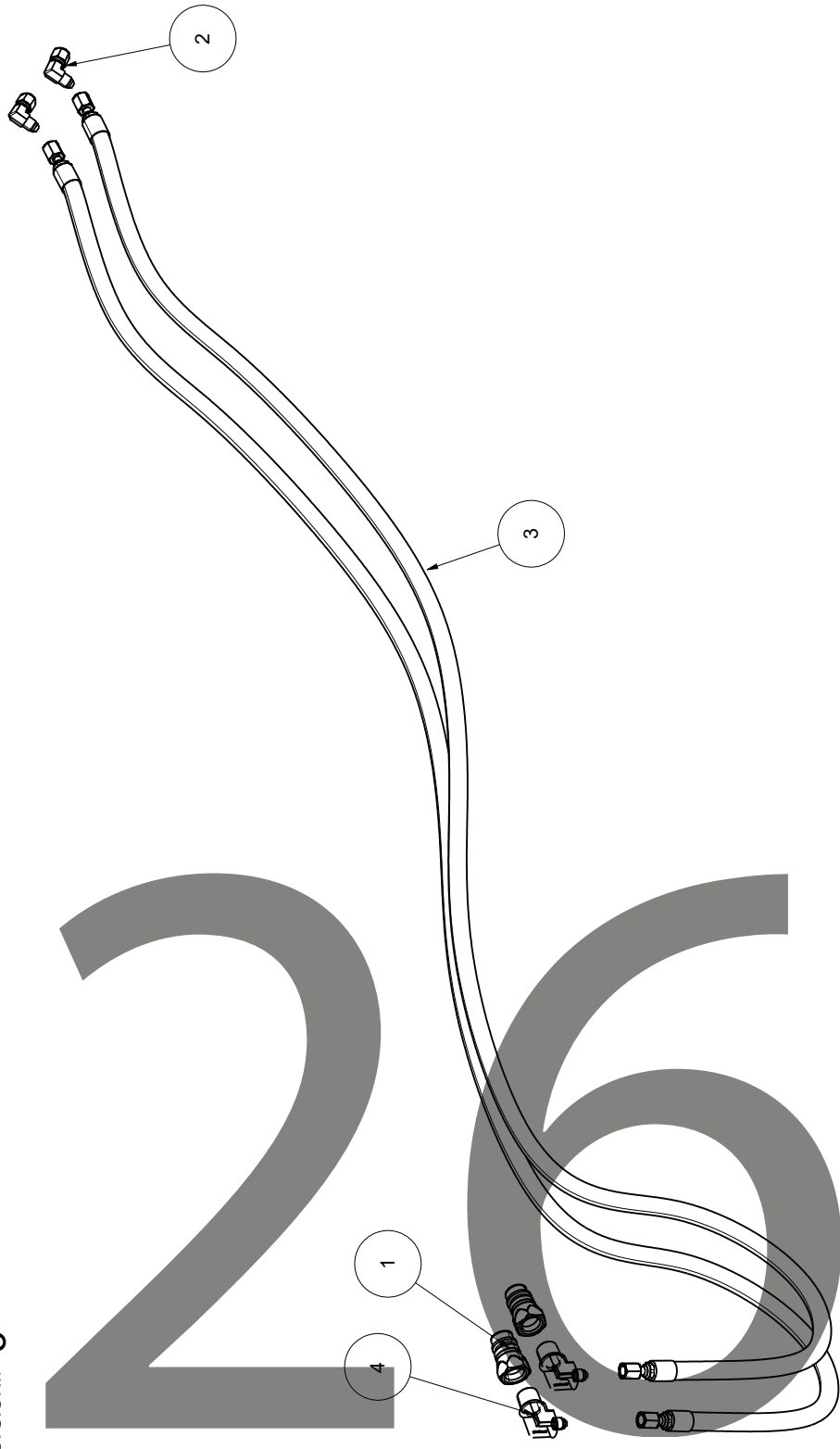


Item	Part Name	Part Number	Qty
1	JIC x ORB Elbow Adapter	6801-NWO-06-06	2
2	PIN GROUP	44	2
3	Nipple	6400-0-04-06	4
4	JIC Bulkhead	2700-04-04	4
5	Hex Bolt GR5 3/8 - 1.25	92865A844	2
6	Flange Hex Bolt 3/8 - 16 - 1.25	92979A348	24
7	Line, Blade to Hydro Clamp	1-871	4
8	SELF TAPPER 5/16-18	90064A705	4
9	Distribution Block	C11275	1
10	Bulkhead Nut GR5 7/16-20	94846A520	4
11	CYLINDER BRACKET	40	2
12	Flange Locknut, 3/8 - 16	93298A130	12
13	Nipple	2404-06-06	4
14	Line Cap	11-201	2
15	Hydro Lock Cylinder	BM-0413	2

Item	Part Name	Part Number	Qty
16	GR5 Hex Nut Thin Nylock 3/4-10	91342A230	4
17	Clamp Group	387	2
18	Line, Dist Block to Bulkhead LG	1-670	4
19	TRACTOR BRACKET	094-2	2
20	JIC 90 Elbow	6500-04-04	4
21	Hex Bolt GR8 3/4-10 x 3.25"	91257A848	2

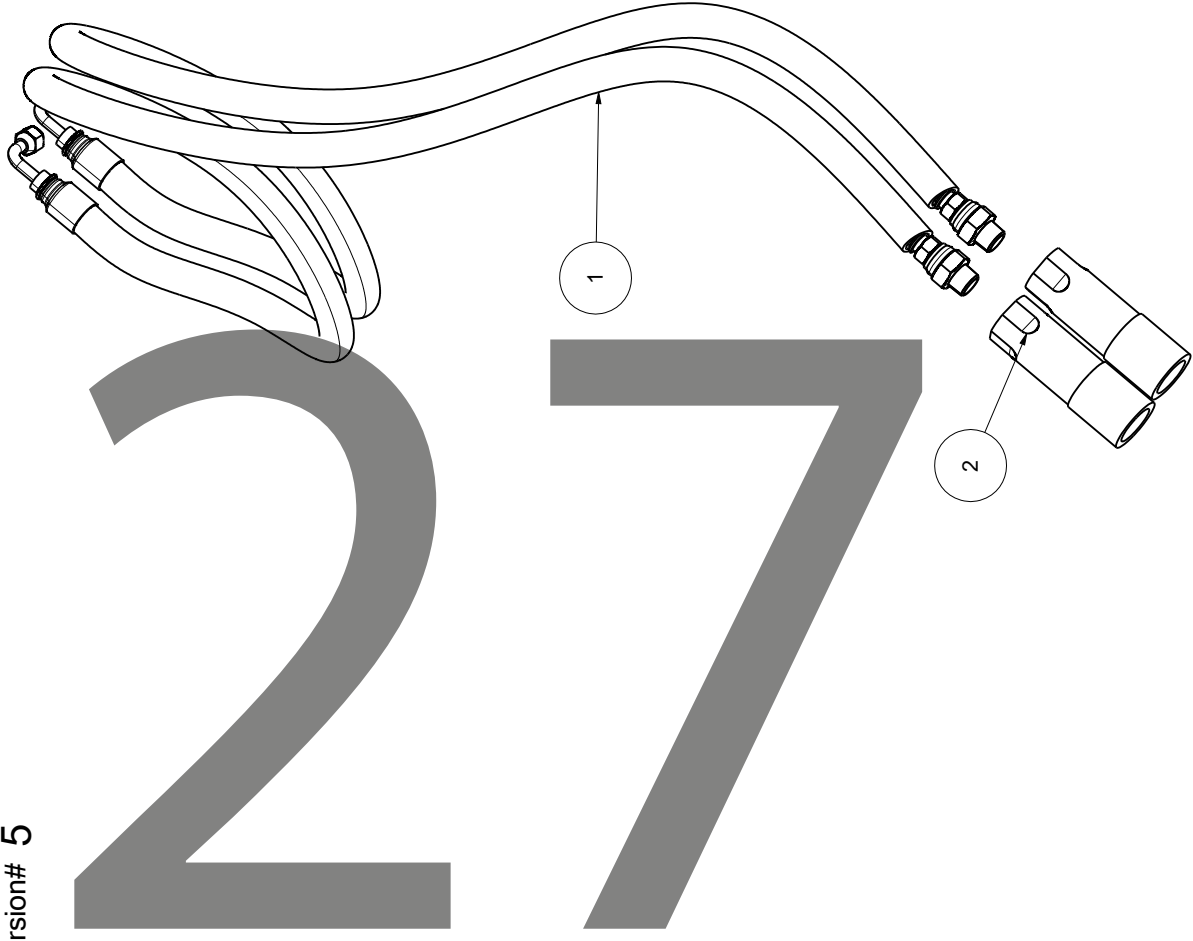
Hydro Lock Adaptor SF to JD 4720 HLASF-JSK-4700

Version# 3



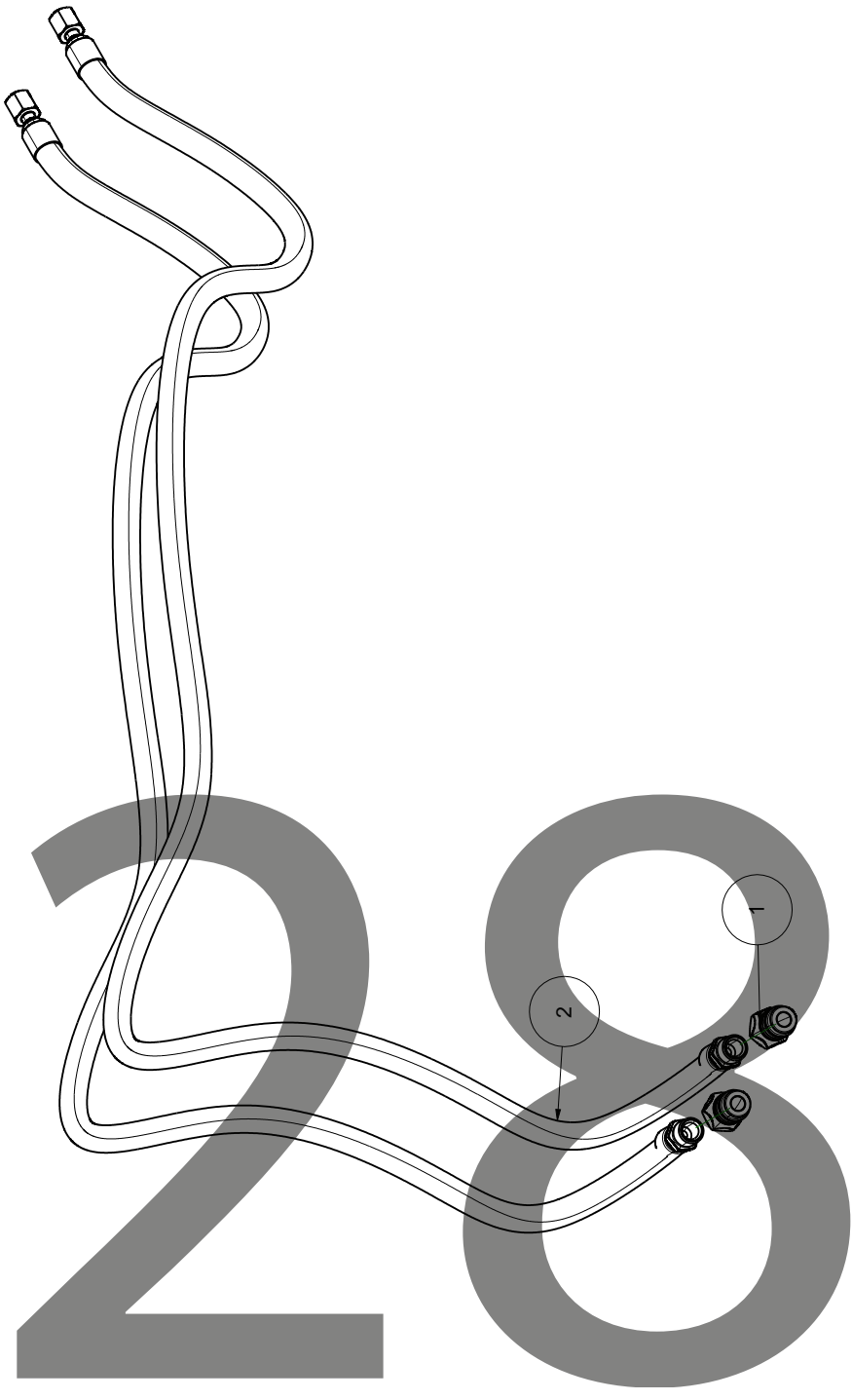
Item Number	Part Name	Part Number	Quantity
1	Male Ag Coupler	19-400	2
2	JIC 90 Elbow	6500-04-04	2
3	Line, Dist Block to Bulkhead LG	1-670	2
4	Male JIC x Male NPTF 90 Elbow	2501-04-08	2

Hydro Lock Adaptor SF to KUB L Series
 HLASF-KSK-490
 Version# 5



Item	Part Name	Part Number	Quantity
1	Line, Tractor to Pivot Frame	63-508	2
2	Hydro Coupler, Female	G94521-0606	2

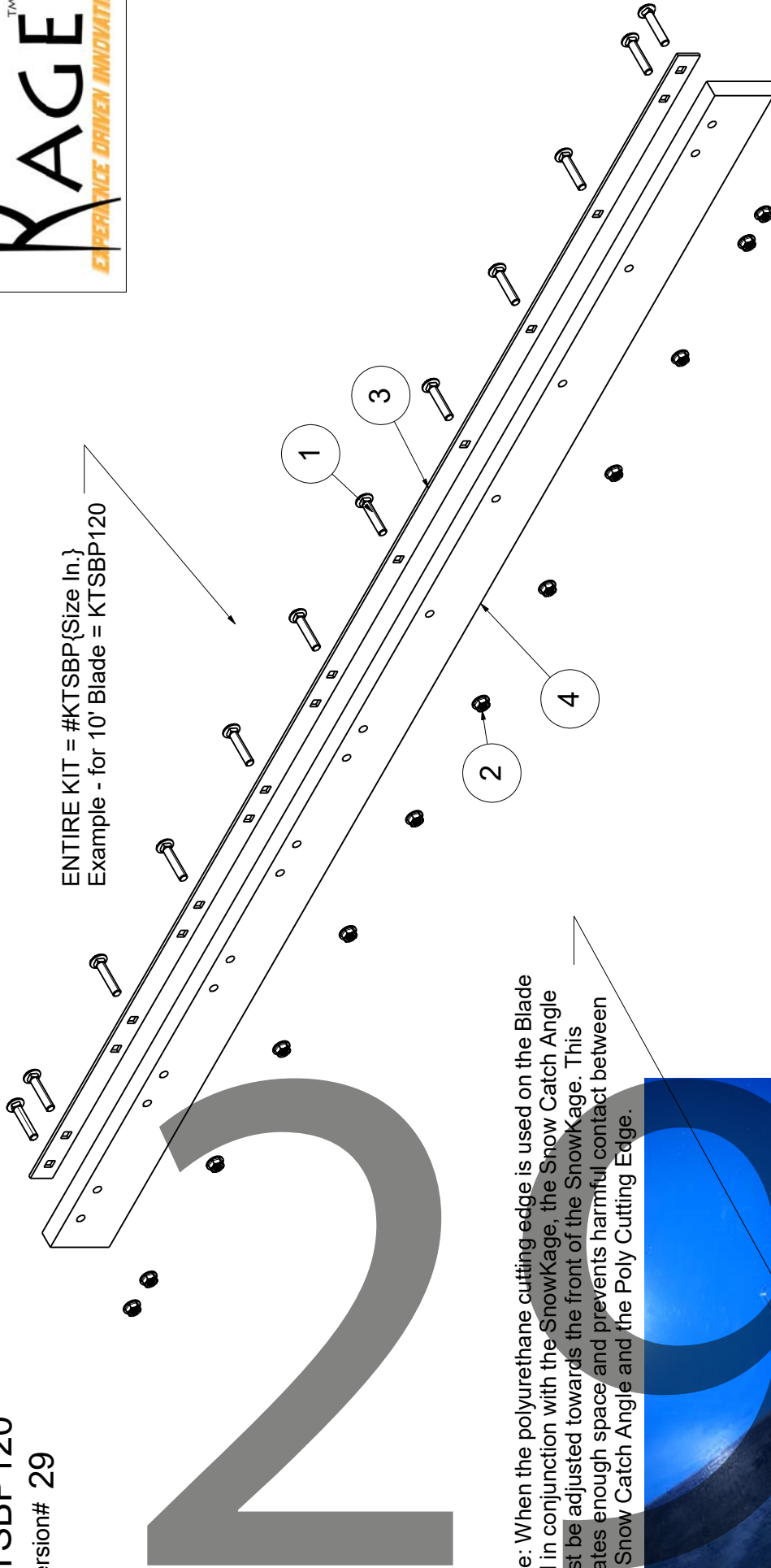
Hydro Lock Adaptor SF to 3 Point Hitch
 HLASF-3P
 Version# 2



Item Number	Part Name	Part Number	Quantity
1	Male Ag Coupler	19-400	2
2	Line Valve to Dist. Block	1-765	2

Poly Cutting Edge Kit KTSBP120

Version# 29



Note: When the polyurethane cutting edge is used on the Blade and in conjunction with the SnowKage, the Snow Catch Angle must be adjusted towards the front of the SnowKage. This creates enough space and prevents harmful contact between the Snow Catch Angle and the Poly Cutting Edge.



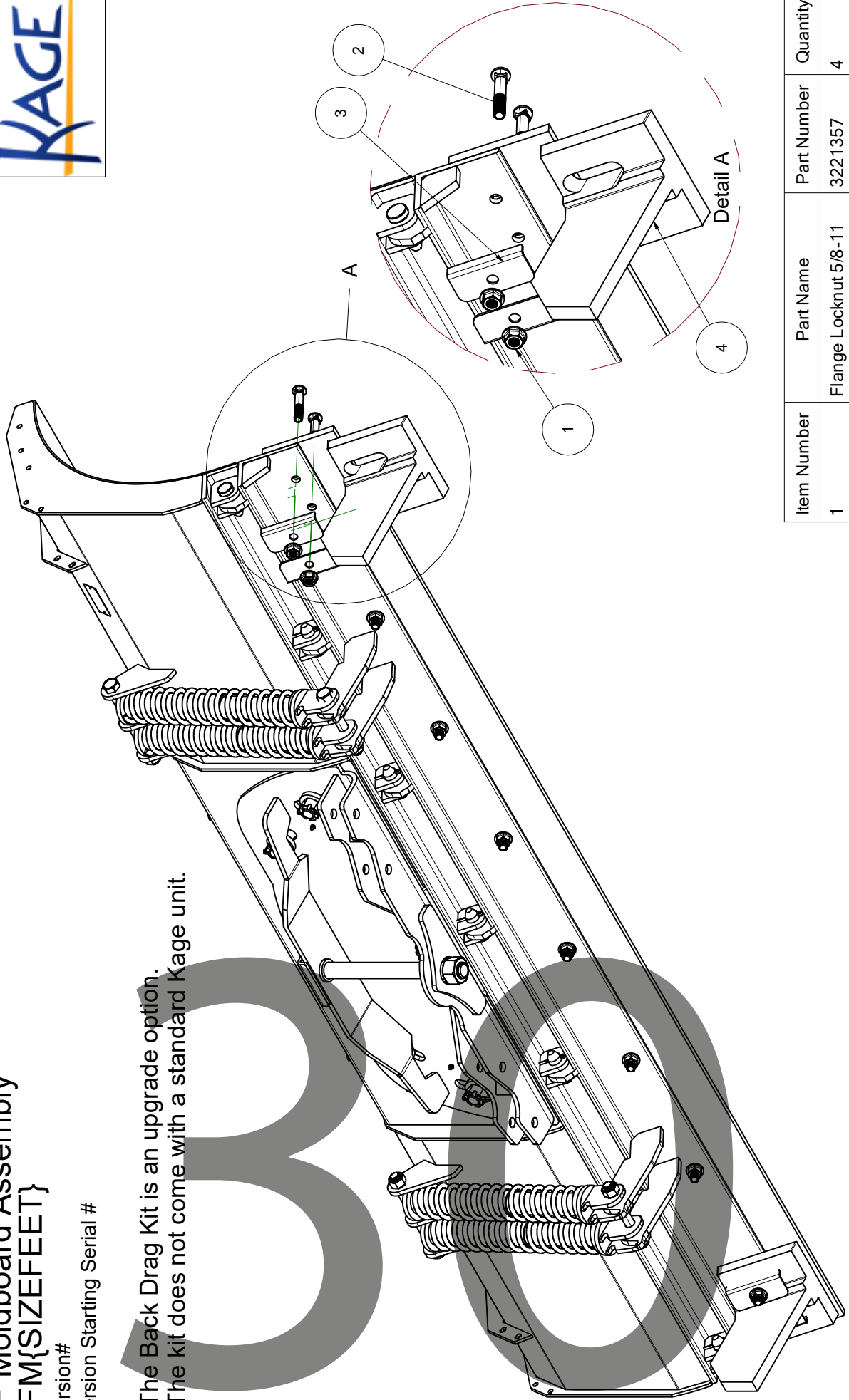
Item Number	Part Name	Part Number	Qty
1	Carriage Bolt, 5/8-11 x 3	90185A818	12
2	Flange Locknut 5/8-11	3221357	12
3	Universal Cutting Edge Support	556-PT-120	1
4	Poly Edge	PU-UNV1-120	1

SF Moldboard Assembly
SFM{SIZEFEET}

Version#
 Version Starting Serial #



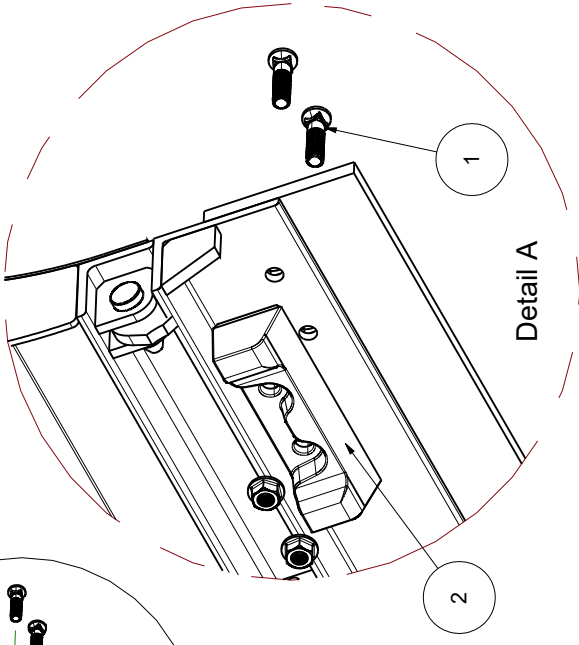
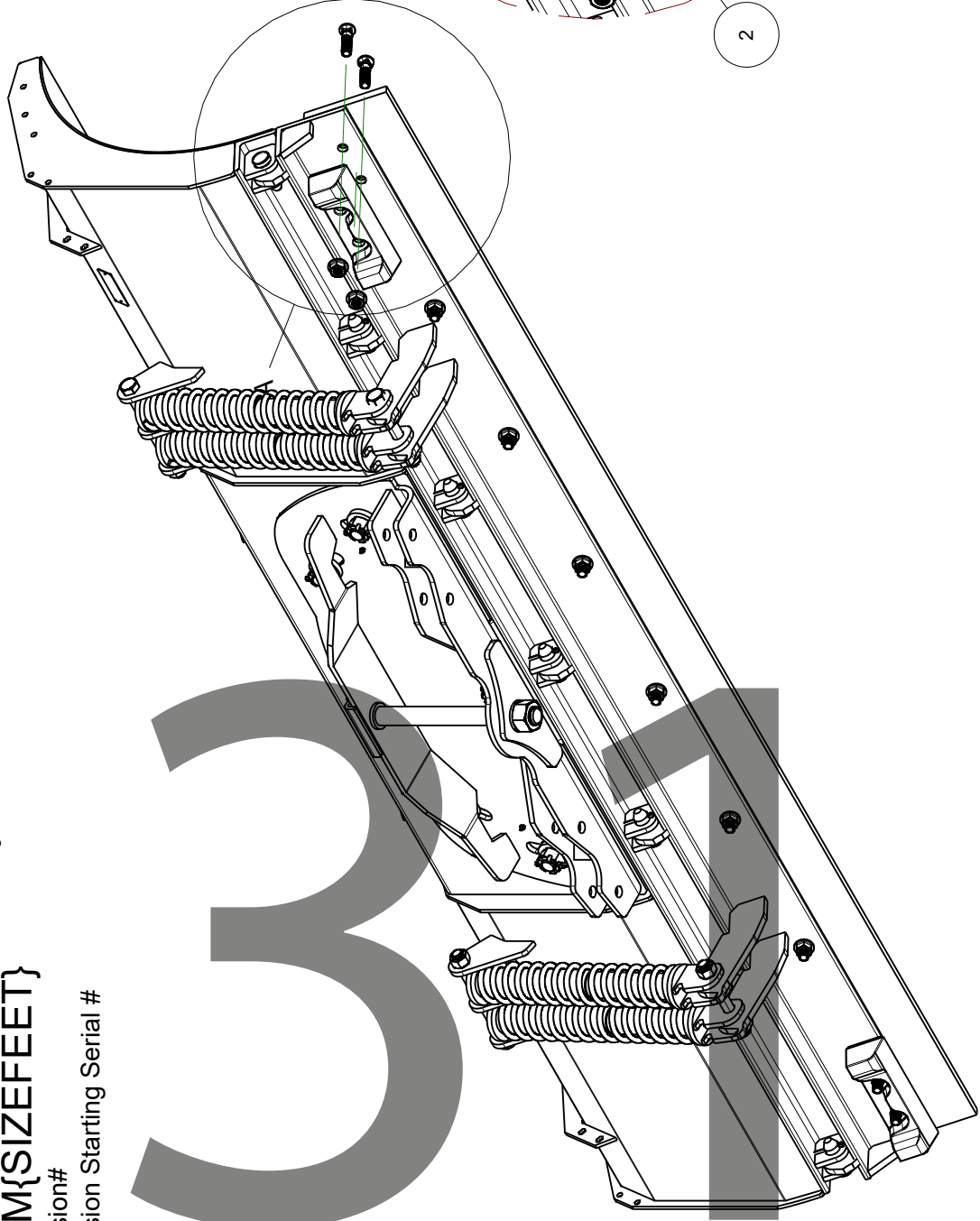
The Back Drag Kit is an upgrade option.
 The kit does not come with a standard Kage unit.



Item Number	Part Name	Part Number	Quantity
1	Flange Locknut 5/8-11	3221357	4
2	Plow Bolt 5-8 - 11 x 3 1-2	90934A808	4
3	Back Catch Backing Plate	200-12	4
4	Poly Back Catch	200-24	2

SF Moldboard Assembly
SFM{SIZEFEET}

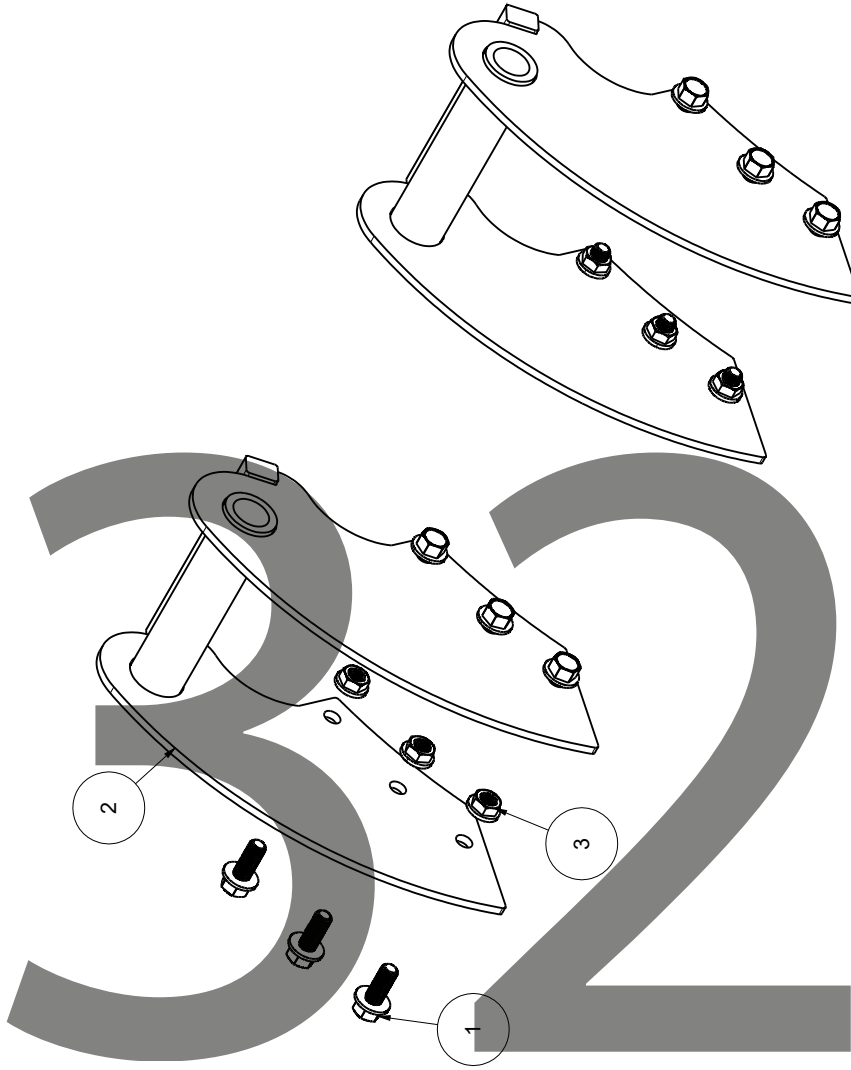
Version#
 Version Starting Serial #



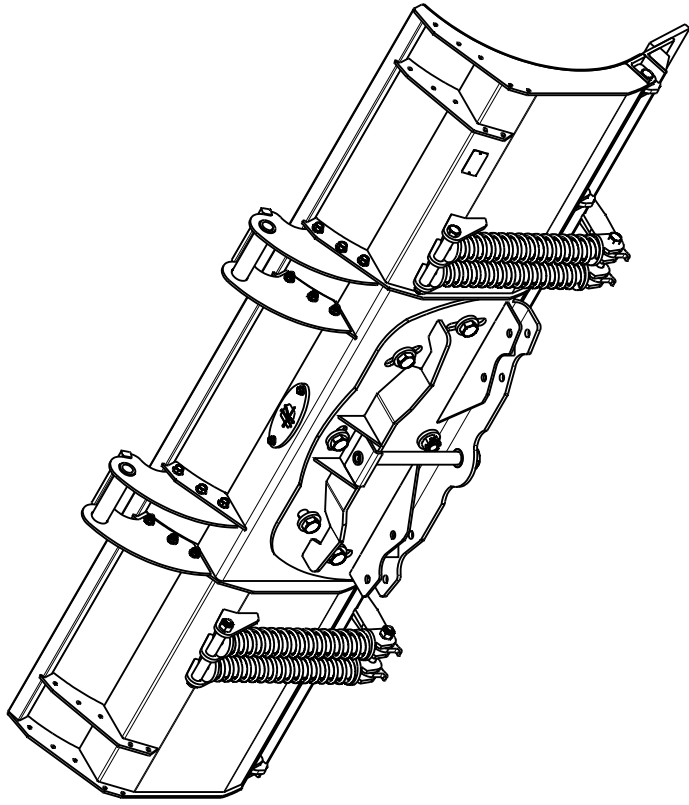
Item Number	Part Name	Part Number	Quantity
1	Plow Bolt 5-8 - 11 x 2 1-2	90934A804	4
2	SF Curb Guard	100-11	2

Kage Blade Cam-Lock Bracket Kit KTKBB-2

Version#



Install Cam-lock Brackets in this orientation

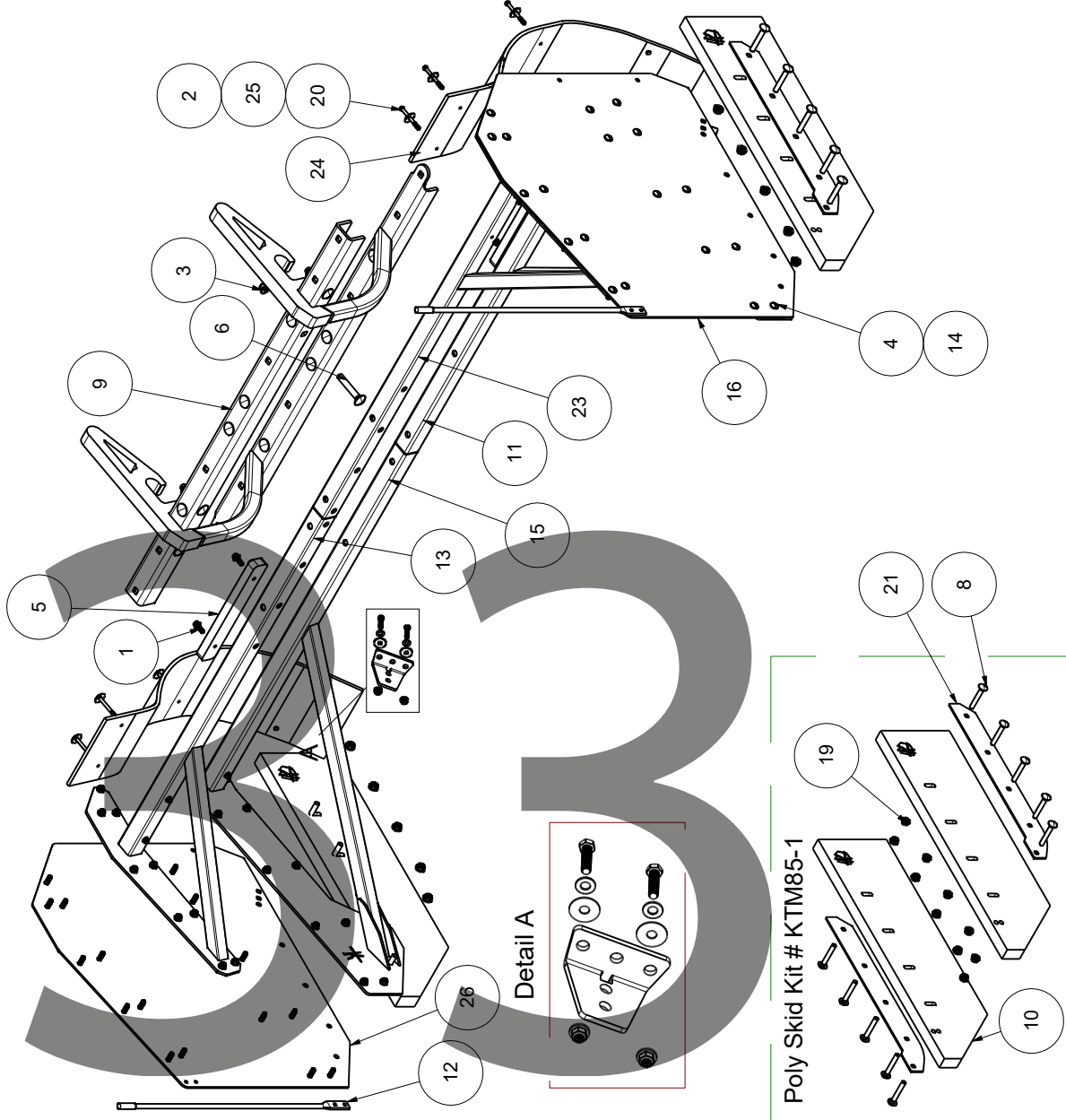


Item Number	Part Name	Part Number	Quantity
1	Flange Hex Bolt Grade 5 1/2 - 13 x 1.25	92979A467	12
2	Kage Blade Cam-Lock Bracket	KBB-2	2
3	Flange Locknut 1/2 - 13	RF1213OFZ	12

SnowKage Assembly Complete SK2011-{Nominal Size Inches}

Version#

This model has taller skids than previous models to accommodate the latest Kage Blade revision. Use this break down when ordering parts if your Kage's serial # is higher than; SK2011 124-10998



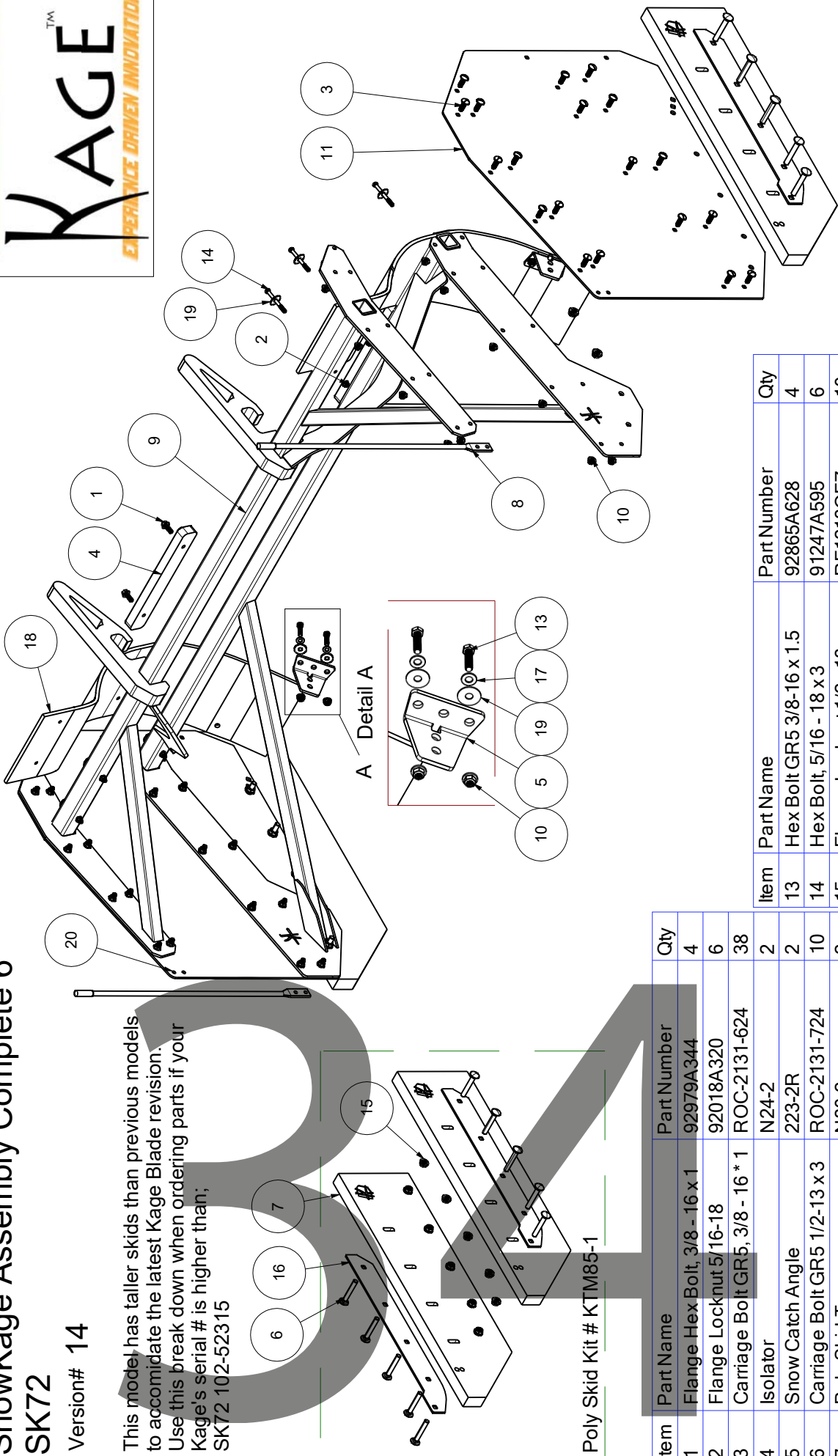
Item	Part Name	Part Number	Qty
1	Flange Hex Bolt, 3/8 - 16 x 1	92979A344	4
2	Flange Locknut 5/16-18	92018A320	6
3	Flange Locknut 5/8-11	3221357	12
4	Carriage Bolt GR5, 3/8 - 16 * 1	ROC-2131-624	38
5	Isolator	N24-2	2
6	Carriage Bolt, 5/8-11 x 3.5"	90185A822	12
7	Snow Catch Angle	223-2R	2
8	Carriage Bolt GR5 1/2-13 x 3	ROC-2131-724	10
9	Center Group	100-504	1
10	Poly Skid T	N80-2	2
11	BDS Weldment	BDS-1	1
12	Plow Guide	W-1578	2
13	TPS Weldment	TPS-1	1
14	Flange Locknut, 3/8 - 16	93298A130	42
15	BPS Weldment	BPS-1	1
16	Side Panel Driver	363-2-D	1
17	Name Plate	KAGE001-11399-2	1
18	Hex Bolt GR5 3/8-16 x 1.5	92865A628	4
19	Flange Locknut 1/2 - 13	RF12130FZ	10
20	Hex Bolt, 5/16 - 18 x 3	91247A595	6
21	Poly Support	022-2	2
22	Flat Washer, 3_8	ROC-8071-031	4
23	TDS Weldment	TDS-1	1
24	Snow Catch	N42-2	2
25	Fender Washer, 3/8	91090A121	10
26	Side Panel Passenger	363-2-P	1

SnowKage Assembly Complete 6

SK72

Version# 14

This model has taller skids than previous models to accommodate the latest Kage Blade revision. Use this break down when ordering parts if your Kage's serial # is higher than; SK72 102-52315



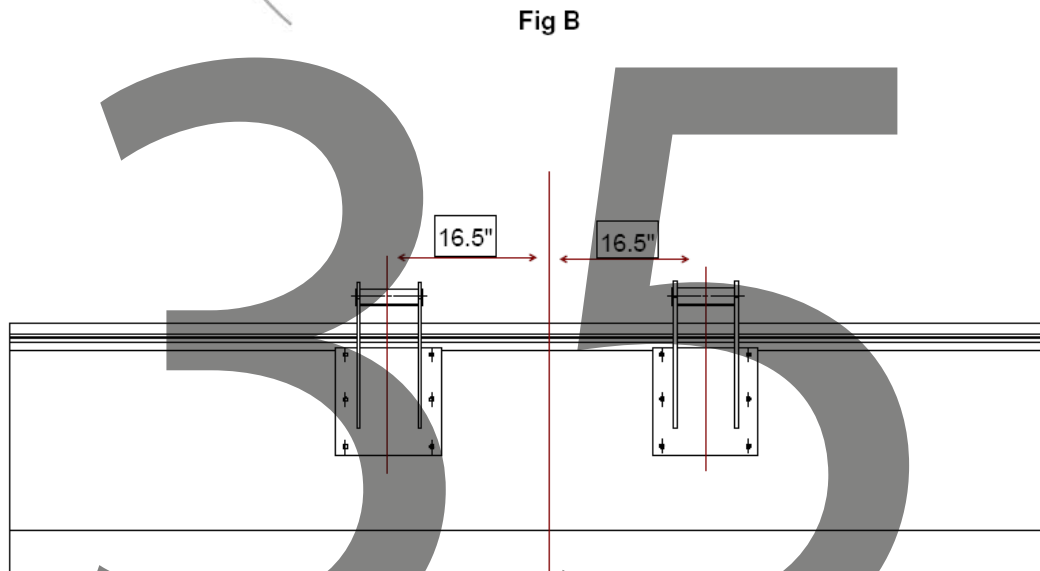
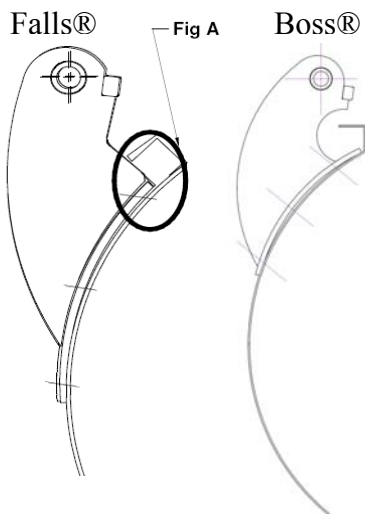
Poly Skid Kit # KTM85-1

Item	Part Name	Part Number	Qty
1	Flange Hex Bolt, 3/8 - 16 x 1	92979A344	4
2	Flange Locknut 5/16-18	92018A320	6
3	Carriage Bolt GR5, 3/8 - 16 * 1	ROC-2131-624	38
4	Isolator	N24-2	2
5	Snow Catch Angle	223-2R	2
6	Carriage Bolt GR5 1/2-13 x 3	ROC-2131-724	10
7	Poly Skid T	N80-2	2
8	Plow Guide	W-1578	2
9	SnowKage Frame 72	SKFrame72	1
10	Flange Locknut, 3/8 - 16	93298A130	42
11	Side Panel Driver	363-2-D	1
12	Name Plate	KAGE001-11399-2	1

Item	Part Name	Part Number	Qty
13	Hex Bolt GR5 3/8-16 x 1.5	92865A628	4
14	Hex Bolt, 5/16 - 18 x 3	91247A595	6
15	Flange Locknut 1/2 - 13	RF1213OFZ	10
16	Poly Support	022-2	2
17	Flat Washer, 3_8	ROC-8071-031	4
18	Snow Catch	N42-2	2
19	Fender Washer, 3/8	91090A121	10
20	Side Panel Passenger	363-2-P	1

SnowKage Cam-Lock Bracket Installation Instructions For BOSS® and Falls® Plows

1. Attach snow plow to skid steer. Position the moldboard straight.
2. Position Cam-Lock brackets on the back radius of the moldboard, pushed up against the top front most support channel of the plow (Fig. A). The center of the Cam-Lock bracket should be 16.5" away from the centerline of the plow moldboard (Fig B). Hold them in place using a C clamp, vise grip, or the likes.
3. Mark the center of the holes in the Cam-Lock bracket on the moldboard of the plow using a 3/8" drill bit or center punch.
4. Drill pilot holes in the moldboard using a 3/16" drill bit. Finish holes with a 3/8" drill bit. Paint or silicone holes in moldboard to prevent rust.
5. Bolt Cam-Lock brackets firmly into place using the gr 5 1½" x 3/8 bolts, with the bolt head and large washer on the front side of the moldboard.





Operator Instructions

To release the SnowKage raise boom approximately 5', tilt plow down until Kage box unit swings freely (must tilt approximately 50 – 60 degrees). Gently set Kage box down using the *vertical* motion of the boom, (rather than the curling motion of the attachment plate).

To attach the SnowKage, raise boom approximately 5', tilt plow down until the Snow Kage plow hooks become visible. Align, and position plow brackets underneath mating hooks of the SnowKage. Using *vertical* motion of boom, pick up the SnowKage, *then* curl the plow back into normal position.

Rubber/Poly Wear Edges only need to be replaced or adjusted when cutting edge of plow is replaced/adjusted. Replacement wearable parts can be purchased by calling Kage Innovation at 844-314-KAGE.

Down Pressure on plow is still possible. However, operator must not lift front wheels of machine off the pavement excessively (when the SnowKage is attached to the plow), as this could result in unwanted leakage of snow from edges of plow

Rough terrain should be avoided at high speeds (when the SnowKage is attached to the plow), as this can cause excessive bounce, simulating 'release tilt' necessary to release the SnowKage.

36