

SNOWSTORM BLAST SNOW PUSHER



KAGE®



Putting "Simple" Into Snow Removal

The SnowStorm BLAST is simple, and so is our message. In an economy where money and labor is tight the decisions become easier because extravagance is not an option. Our new BLAST snow pusher harnesses the proven strength of our SnowStorm 2-in-1 System, and simplifies it onto a fixed push box. Simple, but feature rich, without adding any cost to you! Look around for the other apples, but in comparison everything else is grapefruit.

KEY FEATURES



Floating Loader Attachment

Allows the plow to remain in contact with the substrate along with all four wheels of the machine when riding over hills and valleys in the plowing surface.



Oscillation

With 12 degrees of oscillation, the SnowStorm BLAST seamlessly follows the contours of the ground to provide a cleaner scrape.



Floating Skids

These curb accommodating floating skids allow the operator to clean right up to the curb without interference from the skids or the side panel.



Steel Split Trip Edge

Unlike other snow pushers, KAGE offers a steel trip edge. This makes it easy to scrape the substrate and makes it much safer for the operator.



AdvantEDGE (optional)

The AdvantEDGE is KAGE's sectional cutting edge with 18" to 24" independently spring loaded cutting edges made with Hardox™ or Carbide.

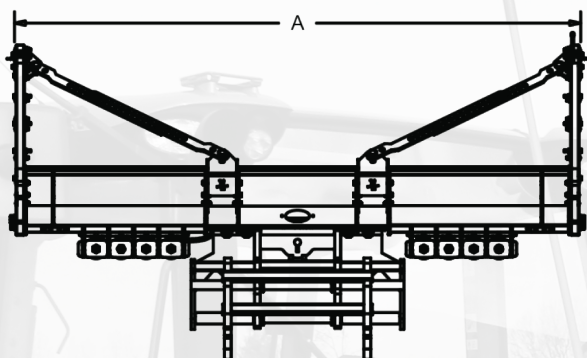


Tri-Formed Outer Box

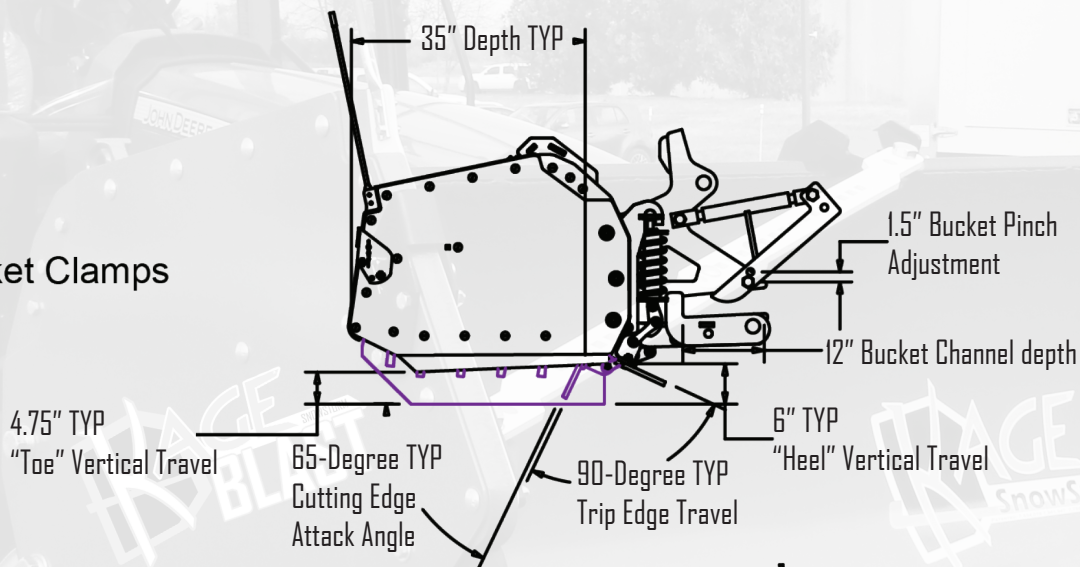
Offering rigidity and strength, the tri-formed outer box, sets KAGE aside from the modified truck plows by providing a commercial grade structure for the plow

KAGE® SnowStorm™ Blast™ Specifications

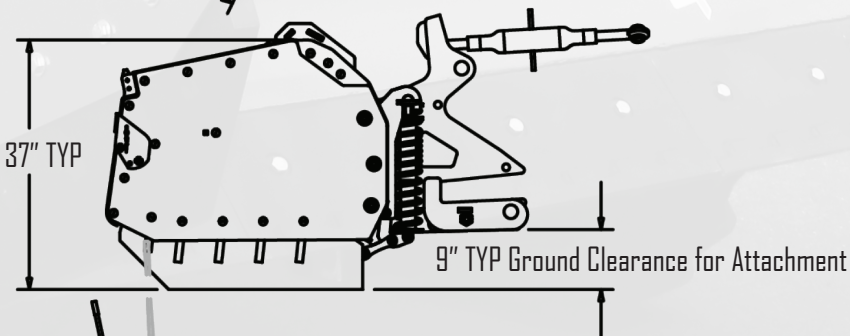
Model	A Inches	Weight	Rec. Machine Size
SSDP10—3 Point	124	1960	15K-30K
SSDP10—Bucket Clamps	124	1983	15K-30K
SSDP10—Quick Attach	124	2165	15K-30K
SSDP12—3 Point	148	2090	18K-30K
SSDP12—Bucket Clamps	148	2115	18K-30K
SSDP12—Quick Attach	148	2297	18K-30K
SSDP14—3 Point	172	2220	19K-30K
SSDP14—Bucket Clamps	172	2245	19K-30K
SSDP14—Quick Attach	172	2432	19K-30K



Bucket Clamps



CAT II 3 Point Hitch



Quick Attach
(select from standard quick attaches available)

