



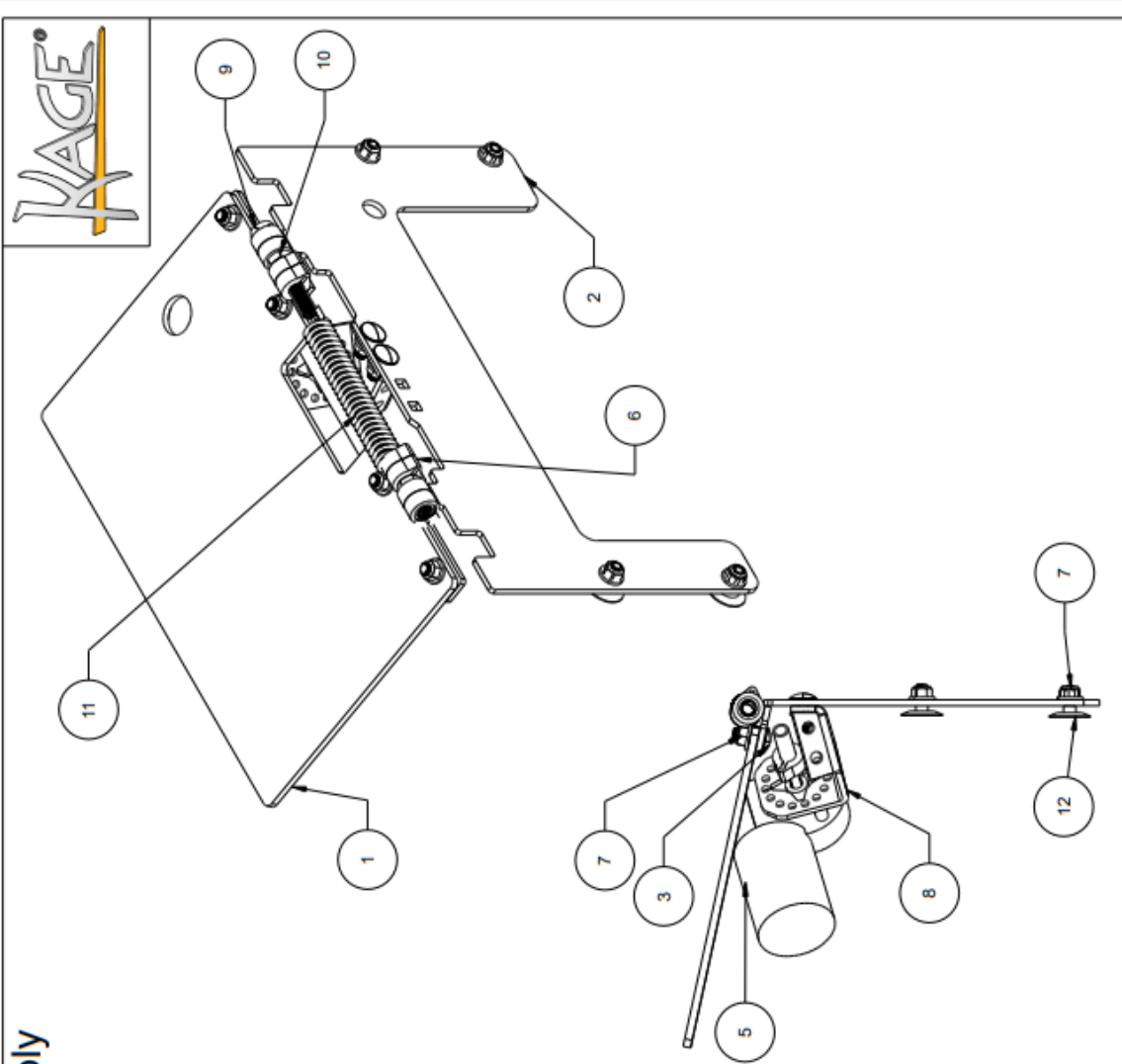
Grass Deflector™

Owner's Manual


REV: 2024.7.8

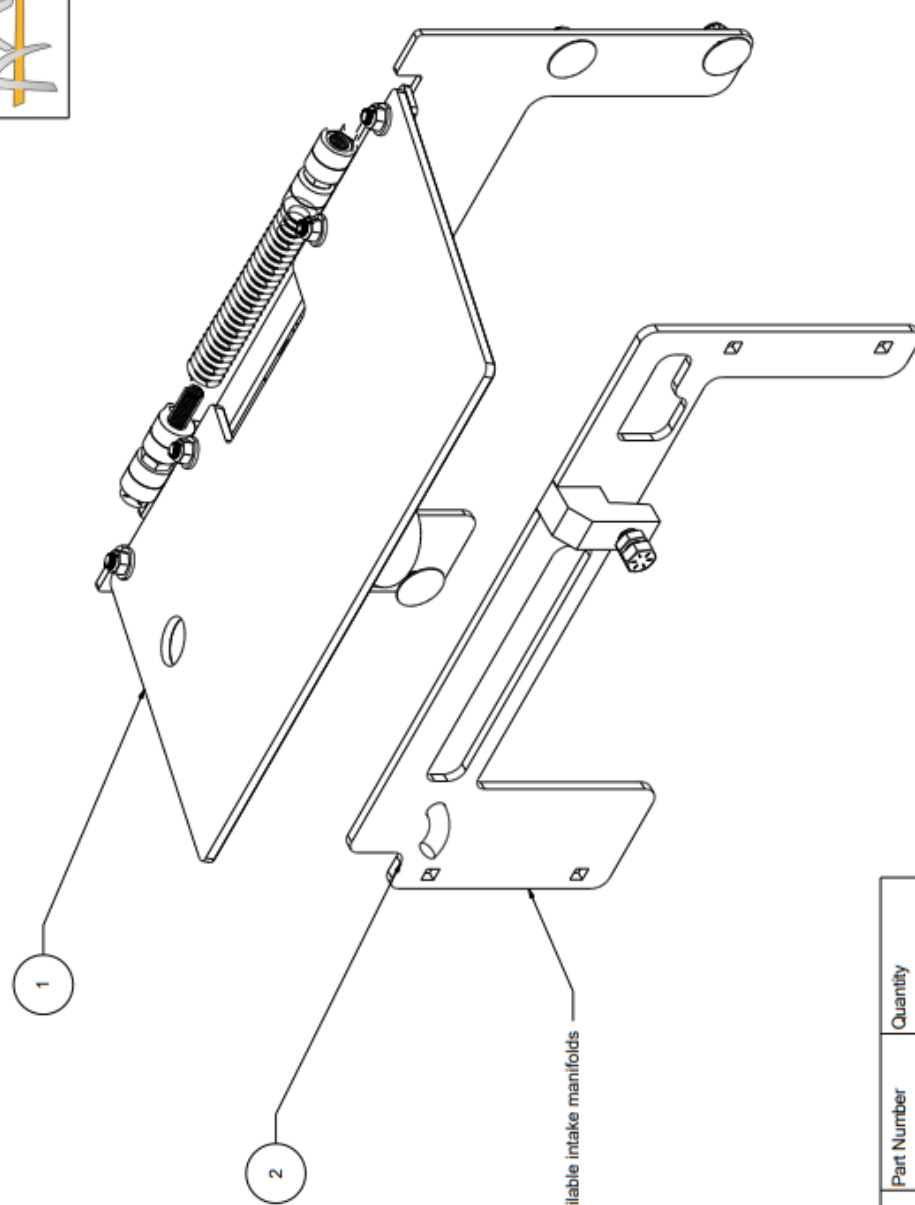
Motorized Grass Deflector Assembly 230-4000

Item	Part Name	Part Number	Quantity
1	Plastic Grass Flap	122-5976	1
2	Grass Deflector Frame	122-8100	1
3	Carriage Bolt GR5, 3/8 - 16 x 1	ROC-2131-624	6
4	Grass Catcher Harness	10-200	1
5	Grass Deflector Left Hand Motor Assembly	230-3100	1
6	Grass Deflector Flap Bracket	122-8200	1
7	Flange Locknut, 3_8 -16	93298A130	10
8	Grass Deflector Motor Bracket	122-8322	1
9	Hex Bolt GR5 1.2 - 13 x 3.5	92865A726	2
10	Hex Nylock Nut 1/2 - 13	90566A033	2
11	Grass Deflector Torsion Spring	9588K59-K	1
12	Elevator Bolt 3-8 -16-1	92670A824	4
13	Grass Deflector Owner's Manual	122-6200	1



Copyright Kage Innovation. All Rights Reserved. www.kageinnovation.com (844) 314-KAGE





Select from available intake manifolds

Item	Part Name	Part Number	Quantity
1	Motorized Grass Deflector	230-3000	1
2	Intake Manifold	10-762, 10-867, 10-756, 10-965, 10-967	1

Motorized Grass Deflector Kit with Manifold
230-3000

Copyright Kage Innovation All Rights Reserved www.kageinnovation.com (844) 314-KAGE

Additional parts for WRIGHT and SCAG mowers

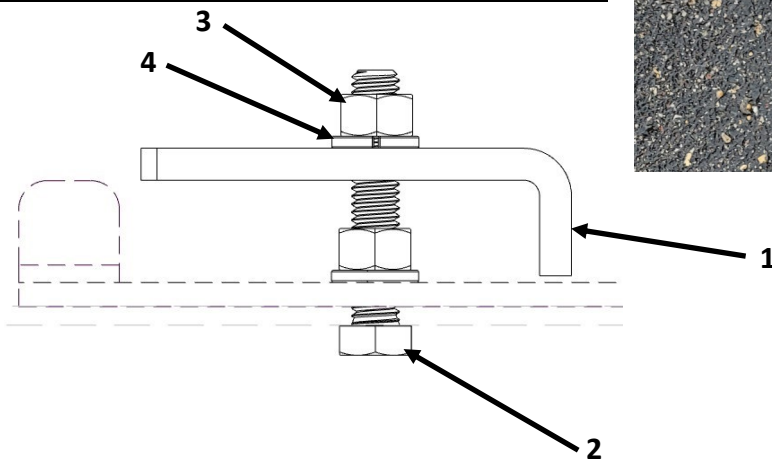
WRIGHT:

#	Part Name:	Part Number	Quantity
1	Wright Intake Manifold Brace	230-2002	1
2	Hex Bolt GR5 5/16-18 x 1	92865A583	1
3	Flange Locknut 5/16-18	92018A320	1



SCAG:

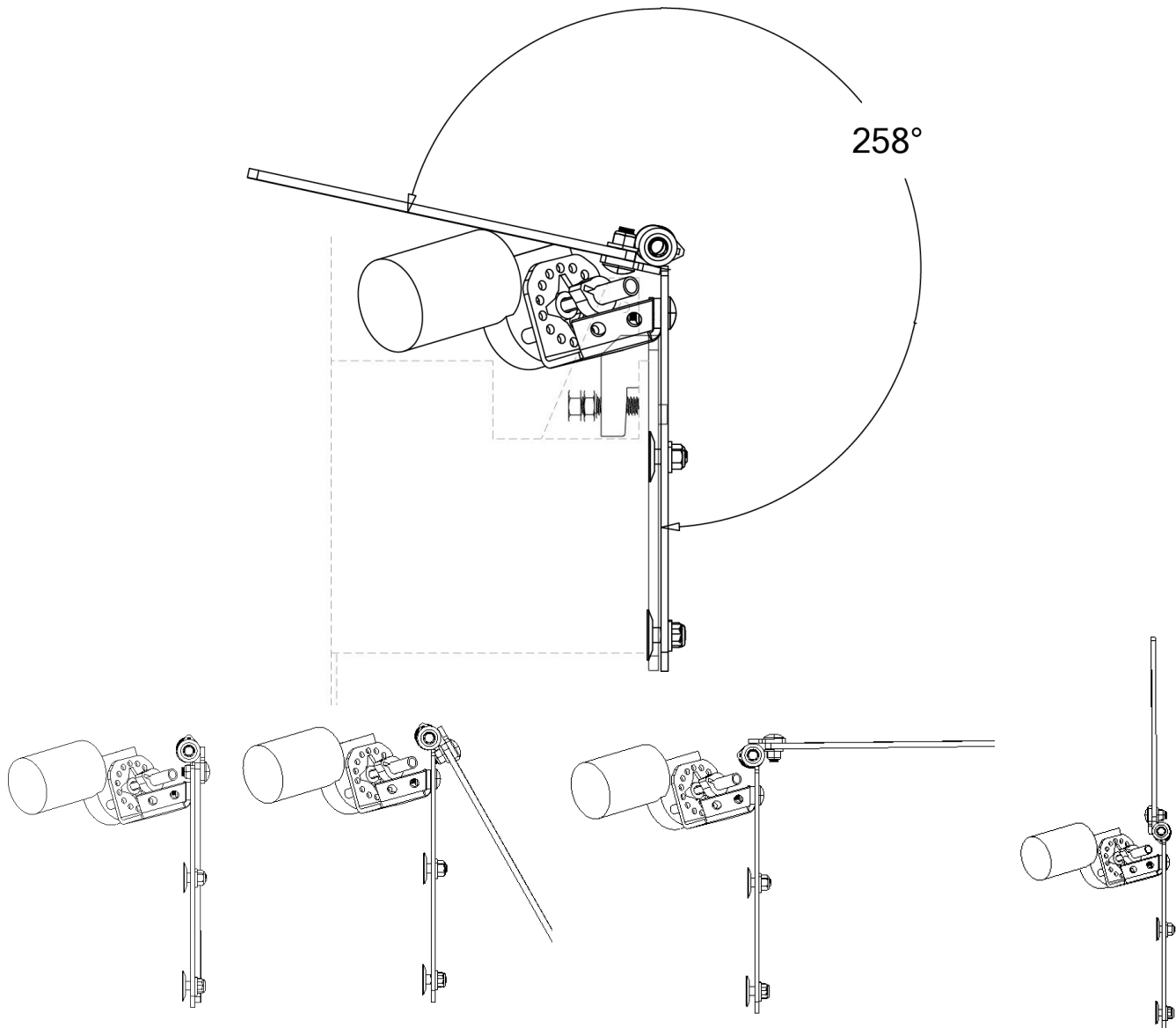
#	Part Name:	Part Number	Quantity
1	Grass Deflector SCAG Clamp	230-2001	1
2	Hex Bolt GR5 3/8-16x 2	92865A632	1
3	Hex Nut, 3/8 - 16	95462A031	2
4	Lockwasher, 3_8	ROC-8076-031	2





Grass Deflector Specifications

Available Mowers	Weight	Cycles per minute	Flap Rotation
Refer to "All intake Manifolds" sheet	20 lbs	38	Can fold up to almost 270 degrees back depending on mower





All Intake Manifolds

Exmark Intake Manifold

P/N: 10-762

Laser Z, Quest, Radius, Vertex, Turf-Tracer, Bobcat



Wright Intake Manifold

P/N: 10-867

Stander B, X, ZK, Walk-behinds, zXL, zXT



Toro Intake Manifold

P/N: 10-756

Z Master, Titan



Gravely/Ferris Manifold Adaptor

P/N: 10-965

Pro-Turn, ZT, 300S, 500S, IS Series, ISX Series, SRS Stand on

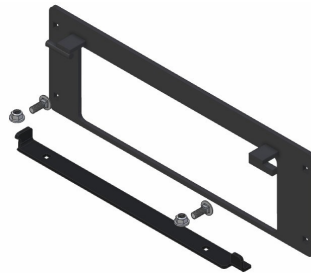


SCAG Manifold Adaptor

P/N: 10-967,

Note: We recommend using this in combination with SCAG part #424212(Turbo Baffle w/ Catcher)

Turf Tiger II, Cheetah II, Tiger Cat II, Patriot



Kage Limited Warranty

Kage Innovation will repair or, at the option of Kage Innovation, replace those parts which prove defective due to material or workmanship under normal use for a period of two (2) years from the date of retail sale or date of invoice from Kage Innovation, whichever is later. Expendable items, such as rubber, or polyurethane are excluded from this warranty.

Kage Innovation warrants that the products manufactured by us to be in accordance with our published specifications or those specifications agreed to by us in writing at the time of sale. The obligation of Kage Innovation is expressly limited to repairing or replacing, at its option, any product not meeting such specifications within the warranty period.

LIMITATIONS OF WARRANTY AND DAMAGES

KAGE INNOVATION MAKES NO OTHER WARRANTY, EXPRESSED OR IMPLIED, AND MAKES NO WARRANTY OF MERCHANTABILITY OR OF FITNESS FOR ANY PARTICULAR PURPOSE. THERE ARE NO WARRANTIES WHICH EXTEND BEYOND THE FACE HEREOF.

IN NO EVENT SHALL KAGE INNOVATION, BE HELD LIABLE FOR SPECIAL, INCIDENTAL OR CONSEQUENTIAL DAMAGES OR FOR DAMAGES RESULTING FROM MISAPPLICATION, ABUSE, MISUSE, ACTS OF GOD, UNAUTHORIZED ALTERATION OF THE KAGE INNOVATION PRODUCT, OR SUBSTITUTION OF PARTS NOT AUTHORIZED IN WRITING BY KAGE INNOVATION.

To obtain service under this warranty the consumer must return the defective Kage Innovation product to Kage Innovation directly, the dealer from which the product was purchased or to any authorized Kage Innovation dealer, transportation and freight charges prepaid. Only Kage Innovation dealers are authorized to perform the obligations under this warranty with pre-authorization from Kage Innovation.

No person is authorized to alter or amend this warranty or to create any warranty other than that set forth herein without the expressed written consent of Kage Innovation.

Kage Innovation reserves the right to make improvement changes on any of our products without prior notice.

Revision Comments

Date	Name	Description
7/8/2022	Josh	First Revision
7/18/2024	Mike	Updated Wright Manifold pic