



KAGE Katcher™

Owners Manual

REV: 2023.12.1

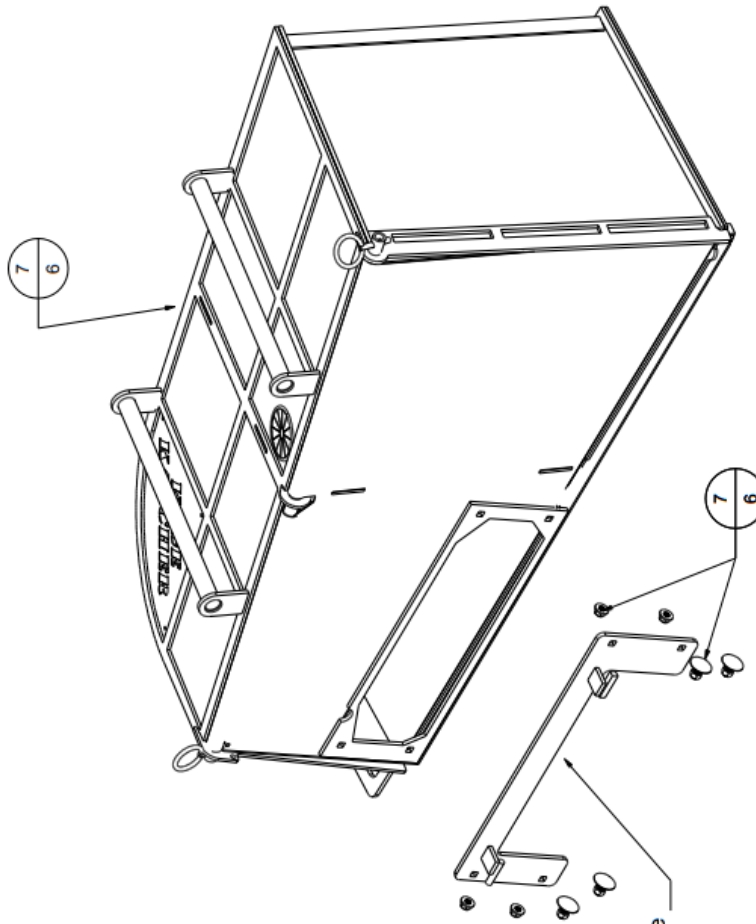




Grass Catcher Assembly 10-1000

Version#
Version Starting Serial #


| Item | Part Name | Part Number | Quantity |
|------|--------------------------------------|-------------|----------|
| 1 | Gravelly/ Ferris intake manifold kit | 10-965 | 1 |
| 2 | Scag intake manifold kit | 10-967 | 1 |
| 3 | Wright intake manifold | 10-867 | 1 |
| 4 | Exmark intake manifold | 10-762 | 1 |
| 5 | Toro intake manifold | 10-756 | 1 |
| 6 | Aluminum Grass Catcher 1000 Assembly | AJ-1000 | 1 |
| 7 | Steel Grass Catcher 1000 Assembly | ST-1000 | 1 |

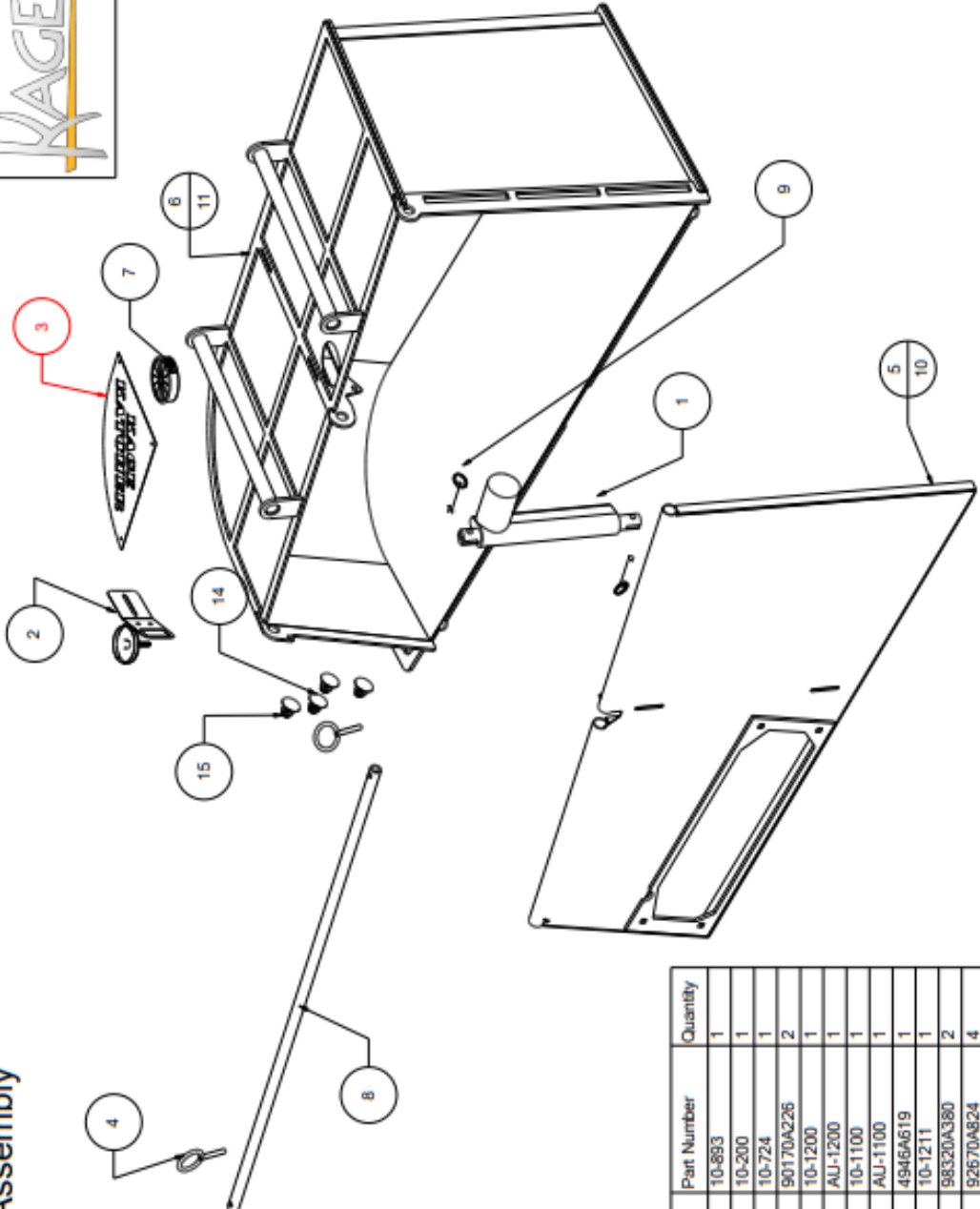


Select from one of the available intake manifolds

WEIGHT LBS 71

Copyright Kage Innovation All Rights Reserved www.kageinnovation.com (844) 314-KAGE





Grass Catcher 1000 Assembly

Version# _____
Version Starting Serial # _____

| Item | Part Name | Part Number | Quantity |
|------|--------------------------------|-------------|----------|
| 1 | Linear Actuator | 10-893 | 1 |
| 2 | Grass Catcher Harness | 10-200 | 1 |
| 3 | Grass Katcher Nameplate | 10-724 | 1 |
| 4 | Lynch Pin 5/16 | 90170A226 | 2 |
| 5 | Steel Grass Catcher Side Frame | 10-1200 | 1 |
| 10 | Flange | AU-1200 | 1 |
| 6 | Steel Grass Catcher Main Bin | 10-1100 | 1 |
| 11 | Steel Grass Catcher Main Bin | AU-1100 | 1 |
| 7 | 3 Inch Expandable Grommet | 4946A619 | 1 |
| 8 | Hinge Rod | 10-1211 | 1 |
| 9 | Ring-Grip Quick-Release Pin | 98320A380 | 2 |
| 14 | Elevator Bolt 3-8-16-1 | 92670A824 | 4 |
| 15 | Flange Locknut, 3/8-16 | 93298A130 | 4 |



All Intake Manifolds

Exmark Intake Manifold

P/N: 10-762

Laser Z, Quest, Radius, Vertex, Turf-Tracer, Bobcat



Wright Intake Manifold

P/N: 10-867

Stander B, X, ZK, Walk-behinds, zXL, zXT



Toro Intake Manifold

P/N: 10-756

Z Master, Titan



Gravely/Ferris Manifold Adaptor

P/N: 10-965

Pro-Turn, ZT, 300S, 500S, IS Series, ISX Series, SRS Stand on



SCAG Manifold Adaptor

P/N: 10-967,

Note: We recommend using this in combination with SCAG part #424212(Turbo Baffle w/ Catcher)

Turf Tiger II, Cheetah II, Tiger Cat II, Patriot



Revision Comments

| Date | Name | Description |
|-------------|-------------|--|
| 12-1-2023 | Mike | First Revision |
| 1-5-2024 | Josh | Added Ferris and Gravely Adaptors |
| 1-15-2024 | Josh | Added scag adaptor |
| 2-10-2024 | Josh | Updated pictures of manifolds with brackets |
| 5-3-2024 | Kyler | Added the Bobcat compatible Exmark Intake |
| 7-5-2024 | Josh | Removed Ferris specific bracket from spec sheet, updated Gravely |
| 8-2-2024 | Josh | Updated Master page, updated 10-1000 breakdown |
| 8-7-2024 | Josh | Updated toro render |