

# KAGE<sup>®</sup>

**EXPERIENCE DRIVEN  
INNOVATION**



**All Season Catalog**

# PLOWING FORWARD

## KAGE QUALITY GUARANTEE

When you purchase a KAGE product, we want you to be confident you're buying the best equipment possible. We back our products with a 15-day trial guarantee. From the date of delivery, you have 15 days to try out the product and if you're not satisfied, you can return it - no questions asked. KAGE will reimburse 100% of the purchase & shipping costs.\*

## BUILDING IT BETTER

If the idea isn't revolutionary or innovative as our company name states, we're not taking the idea far enough. KAGE Innovation invents and manufactures equipment for the professional grounds manager. Our core objective is to offer new products as solutions to common industry setbacks. In short, we're always on the lookout for "the better way."

## WHAT'S IMPORTANT

Our customers and employees.

KAGE Innovation is run by people, and we serve people. The company was started because of an opportunity that was seized. KAGE Innovation continues to create opportunities for people - both customers and employees alike.

## DRIVING NEW IDEAS TO THE INDUSTRY



Have you ever thought, "There just has to be a better way!" Applying our Experience Driven Innovation to conquer those ideas is what we do. Every week new ideas are hashed out, and the ones that make it earn the KAGE stamp for excellence in design.

As our business has flourished, our mindset has not changed. It is still much like when I started out tinkering in my dad's workshop. Persevering until we find the better way, and designing with the end-user in mind. As we grow and the number of KAGE employees grow, our collective vision can be summed up in one sentence; "We want to make it easy for you".

Ours is a timeless industry. Timeless because there has, and always will be, grass to mow, **dirt to move**, and snow to push. The caveat is that time is of the essence. In this industry the only variable is time, and we all need more of it. Time is expensive, and as labor costs increase we're pushed to work smarter and faster. It's this void where we seek to make the difference.

"Whatever you do, work heartily, as for the Lord and not for men"  
- Colossians 3:23

*Mike Stephan*  
PRESIDENT & FOUNDER



\* The money back guarantee reimburses 100% of the purchase & shipping costs. However, all return shipping and shipping arrangements are the responsibilities of the original purchaser.

# CONTENT

## Snow Systems

- 3 SnowFire/Skidsteers
- 5 SnowFire/Compacts
- 7 SnowFire Xtreme
- 9 SnowFire BLAST
- 11 SnowStorm
- 13 SnowStorm BLAST
- 15 ShadowBlade
- 17 SnowDozer
- 19 SnowDozer Wing

## AG Mounts

- 21 Under Hitch

## Snow Tires

- 23 Kage Klawz

## Anti-Icing

- 25 LiquidRage Sprayer

## Flexible Cutting Edge System

- 27 AdvantEDGE

## Lawn Management

- 29 WheelKaddy
- 31 Kage Katcher
- 33 Grass Deflector
- 60 LiquidRage Sprayer

## Dirt Management

- 35 GreatER Bar
- 60 LiquidRage Sprayer

## Snow Management

- 37 Snow Stakes
- 37 BuddyStrap
- 38 Poly Rotor Paddles
- 38 SnowBlaze Shovel















## Plow Accessories

- 39 Curb Guard Kit
- 39 Polyurethane Cutting Edge Kit
- 39 Plow Guides
- 40 Back Drag Kit
- 40 Cutting Edge Extenders
- 41 WingLine™ - Laser Plow Guide

## Specifications

- 43 SnowFire/Skidsteer/Compacts Specs
- 44 SnowFire Quick Attach Specs
- 45 SnowFire Xtreme Specs
- 46 SnowFire BLAST Specs
- 47 SnowStorm Specs
- 48 SnowStorm Quick Attach Specs
- 49 SnowStrom BLAST Specs
- 50 ShadowBlade Specs
- 51 SnowDozer Specs
- 52 SnowDozer Quick Attach Specs
- 53 SnowDozer Wing Specs
- 54 UnderHitch Specs
- 55 KageKlawz Specs
- 56 LiquidRage Specs
- 57 AdvantEdge Specs
- 59 WheelKaddy Specs
- 61 Kage Katcher Specs
- 62 Grass Deflector Specs
- 63 Mower Intake Manifold Specs
- 64 GreatER Bar Specs

## LEGEND

-  Skidsteer
-  Telehandler
-  Compact Wheel Loader
-  Wheel Loader
-  Compact Loader Backhoe
-  Loader Backhoe
-  3-Point Tractor
-  Rear 3-Point Tractor
-  Municipal Truck
-  UTV
-  Utility Work Machine
-  Commercial Walk-Behind Mower
-  Zero Turn Mower
-  Stand-On Mower



# SNOWFIRE/SKIDSTEER

SNOW PLOW SYSTEM PATENT PROTECTED



## THE BLADE

Plow structure like no other in its class with an attack angle of 65 degrees

Moldboard sheet itself is built with 10-gauge GRADE 50 steel to extend the life of the plow

Blade features a standard 8" safety trip-edge that prevents accidental damage when encountering hidden obstacles by tripping back 68 degrees

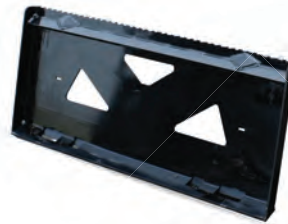


## THE BOX

Bullet proof structure that conquers the destructive tendencies of any snow removal operation

Self-adjusting, flexible polyurethane skids have the ability to slide upwards as the cutting edge of the plow becomes worn, allowing it to cleanly scrape the plowing surface

10" wide snow catches to prevent spillage while pushing



## UNIVERSAL SKIDSTEER MOUNT

The Universal Skidsteer Mount is the standard for the SnowFire System. This attaches to any modern skidsteer in seconds. Then, just connect the hydraulic couplers to the machine auxiliary hydraulic and you are ready to roll snow!



## FROM BOX TO BLADE IN SECONDS

The SnowKage Box hooks onto a skidsteer snow plow to instantly create a revolutionary containment system. This is done in seconds without leaving the cab - no pins, bolts or hinges.

Attaching & detaching the box can take less than 5 seconds for a skilled operator to do.



Make it **XTREME** with the **AdvantEDGE** (pg.27) and the **Floating Skids** (pg.7)



# SIMPLY GENIUS

SNOWFIRE  
SERIES

SNOWSTORM  
SERIES

SHADOWBLADE

SNOWDZER  
SERIES

UNDER HITCH  
SERIES

KAGE KLAWZ

LIQUIDRAGE

ADVANTEDGE

WHEEL  
KADDDY

KAGE  
KATCHER

GRASS  
DEFLECTOR

GREATER BAR

SNOW  
MANAGEMENT

FLOW  
ACCESSORIES



TO ORDER CALL 651-433-4628, OR GO ONLINE: [KAGEINNOVATION.COM](http://KAGEINNOVATION.COM)

See Specifications  
on Page 43



# SNOWFIRE/COMPACTS

SNOW PLOW SYSTEM PATENT PROTECTED



## MULTIPLE CARRIER ATTACHMENTS

This system can incorporate many different styles of hook-and-pin style attachments OR universal skidsteer attachments. See attachment options in back of brochure.



## FLOATING TOP LINK

Uniquely designed for compact wheel loader applications, this attachment allows the plow to float while driving over uneven terrain. This hitch style is recommended for all wheel loader applications because it increases the ability to steer the loader, and the scraping ability of the plow. For available Quick Attaches see our specification tab.



## SNOW PUSHER CAM LOCK

The simple and sturdy way to attach the SnowKage to the blade from inside your skidsteer cab is by using the cam locks. Raise the boom up and tilt the plow down behind the hooks of the SnowKage, align the cam lock brackets on the blade with the receptor hooks of the SnowKage and raise the boom.... then back to work! This is done in about 5 seconds. Back and forth from plowing to pushing.



## THE PAYOFF

Reduce plow time by 25% to 50%

Advantages of a snow plow and a pusher box combining them into one fast and seamless operation

Windrow or back drag with the plow normally, then grab the box to push out their piles or windrows



# OVERBUILT BY DESIGN



SNOWFIRE  
SERIES

SNOWSTORM  
SERIES

SHADOWBLADE

SNOWDODGER  
SERIES

UNDER HITCH  
SERIES

KAGE KLAWZ

LIQUIDRAGE

ADVANTEDGE

WHEEL  
KADDY

KAGE  
KATCHER

GRASS  
DEFLECTOR

GREATER BAR

SNOW  
MANAGEMENT

PLOW  
ACCESSORIES

TO ORDER CALL 651-433-4628, OR GO ONLINE: [KAGEINNOVATION.COM](http://KAGEINNOVATION.COM)

See Specifications  
on Page 43



# SNOWFIRE XTREME FULLY LOADED SNOW PUSHER SYSTEM



## Maximizing Curb-2-Curb Performance

The SnowFire Xtreme takes the proven technology of KAGE's 2-in-1 SnowFire plow and pusher system and ramps up the float and scrape capabilities a notch, allowing for better scrape contouring, longer wear and better protection for the substrate, infrastructure and snow removal equipment.



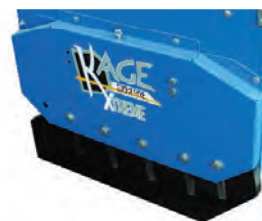
### XTREME EFFICIENCY

The ability to plow with or without the containment box eliminates the need for multiple machines and plows because you can windrow, back drag, push & stack in one!



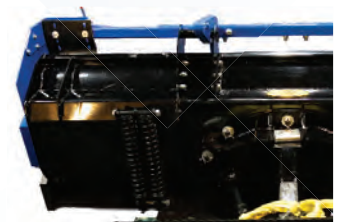
### XTREME CONTOURING

Equipped with KAGE's Advant-EDGE (pg. 27) sectional cutting edge, trip edge and 12 degrees of moldboard oscillation, the SnowFire Xtreme is made for constant substrate contact.



### XTREME BOX FLOAT

These poly skids offer 4 3/4" to 6" of oscillating vertical float, allowing for maximum scrape right up to curbs without containment box interference.



### XTREME DURABILITY

Overbuilt by design, the SnowFire Xtreme features a rigid tri-form box frame and is constructed of grade 50 steel. It's bolt together design also makes for easy maintenance if needed.



### XTREME ANGLES

With an industry-leading 35 degrees of power angle, a 65-degree attack angle and a perfectly-curved moldboard for rolling the snow, angle plowing and windrowing is simple - even in heavy, wet snow.



### XTREME VERSATILITY

The SnowFire Xtreme can be used on virtually any compact machine, including skid steers, compact track loaders, tractors, telehandlers and compact wheel loaders.



# XTREME PERFORMANCE



## SNOWFIRE

## GEN II



TO ORDER CALL 651-433-4628, OR GO ONLINE: [KAGEINNOVATION.COM](http://KAGEINNOVATION.COM)

See Specifications  
on Page 45

SNOWFIRE  
SERIES

SNOWSTORM  
SERIES

SHADOWBLADE  
SERIES

SNOWDODGER  
SERIES

UNDER HITCH  
SERIES

KAGE KLAWZ

LIQUIDRAGE

ADVANTEDGE

WHEEL  
KADDOY

KAGE  
KATCHER

GRASS  
DEFLECTOR

GREATER BAR

SNOW  
MANAGEMENT

FLOW  
ACCESSORIES



# SNOWFIRE BLAST SNOW PUSHER



## Putting "Simple" Into Snow Removal

The SnowFire BLAST is simple, and so is our message. In an economy where money and labor are tight, the decisions become easier because extravagance is not an option. Our new BLAST snow pusher harnesses the proven strength of our SnowFire 2-in-1 System, and simplifies it onto a fixed push box. Simple, but feature rich, without adding any cost to you! Look around for the other apples, but in comparison, everything else is grapefruit.



### FLOATING ATTACHMENT PLATE

The floating attachment plate is designed to give the pusher vertical float to easily scrape hills and valleys in the substrate without the loss of control.



### TRU FLOATING SKIDS

Tru floating skids allow you to clean right up to the curb because they give the box enough float to ride over the curb while the cutting edge remains in contact with the plowing surface.



### OSCILLATION PLATE

KAGE's rigid oscillation plate with +/- 6 degrees of oscillation allows the cutting edge to follow the contours of plowing surface.



### STEEL TRIP EDGE

Unlike other snow pushers, the SnowFire BLAST features a steel trip edge. Therefore, getting a cleaner scrape than a standard rubber edge. It is also a safer option, not only for the operator, but also the machine and infrastructure.



\*Optional Back Drag Kit Available

Check out the **AdvantEDGE** on page 27



# SIMPLY SMART INNOVATION



## NOT JUST A DUMB PUSHER

TO ORDER CALL 651-433-4628, OR GO ONLINE: [KAGEINNOVATION.COM](http://KAGEINNOVATION.COM)

See Specifications  
on Page 46

- SNOWFIRE SERIES
- SNOWSTORM SERIES
- SHADOWBLADE
- SNOWDZER SERIES
- UNDER HITCH SERIES
- KAGE KLAWZ
- LIQUIDRAGE
- ADVANTEDGE
- WHEEL KADDY
- KAGE KATCHER
- GRASS DEFLECTOR
- GREATER BAR
- SNOW MANAGEMENT
- FLOW ACCESSORIES



# SNOWSTORM

SNOW PLOW SYSTEM PATENT PROTECTED



## BOLT-ON UNDERCARRIAGE KITS FOR TRACTORS

Everyone knows tractors are versatile, fuel efficient machines. Combined with a SnowStorm series plow system, tractors can be far more useful for your business year round. Each undercarriage kit comes with an owners manual to help you mount the unit in short time.



## CONSTRUCTED WITH HIGH GRADE STEEL

The SnowStorm blade is designed specifically to take the abuse from mid-sized wheel loaders, backhoe loaders, telehandlers and agricultural tractors. The link, the blade and SnowKage mate perfectly creating the ultimate snow containment tool. The hydro-lock brackets of the blade latch onto the bars of the box. Controls in the cab allow the operator to remain in the cab until the job is done.



## THE BLADE

The SnowStorm blade cuts clear down to the plowing surface with the aid of an oscillating mount. The blade also comes with a standard trip-edge which is backed up with 8 compression springs.

## THE BOX

Tough, triangulated supports mean that you can push this to the extreme with no breakdowns. On both sides of the box are 2-inch poly skids designed to go easy on curbs. The box width manually adjusts from 10 feet out to 14 feet.



# BUILT TO LAST



Check out the **AdvantEDGE** on page 27

TO ORDER CALL 651-433-4628, OR GO ONLINE: [KAGEINNOVATION.COM](http://KAGEINNOVATION.COM)

See Specifications  
on Page 47



# SNOWSTORM BLAST

SNOW PUSHER



## Hydraulic Free, Hassle Free

The SnowStorm BLAST is a fixed-side snow pusher with safety and performance features to spare. Utilizing the proven SnowStorm moldboard technology for 15,000-30,000-pound machines, this BLAST is built to last. And without hydraulic hoses and cylinders there's even less to worry about breaking in the middle of an event. Add the floating capabilities of the moldboard, skids and cutting edge and you've got a pusher that is born to contour. This trip-edge snow pusher is beginner friendly and veteran approved!



### MOLDBOARD OSCILLATION

With 12 degrees of oscillation, the SnowStorm BLAST seamlessly follows the side slopes of the ground to provide a cleaner scrape.



### FLOATING LOADER ATTACHMENT

Allows the plow and all four wheels of the machine to remain in contact with the substrate when riding over hills and valleys in the plowing surface.



### SPLIT STEEL TRIP EDGE

Unlike other snow pushers, KAGE offers a steel trip edge. This makes it easy to scrape the substrate and is much safer for the operator.



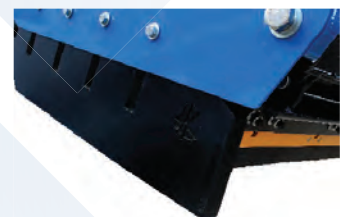
### ADVANTEDGE (OPTIONAL)

The AdvantEDGE (pg. 27) is KAGE's contouring cutting edge with 18" and 24" independently spring-loaded cutting edge sections made with Hardox™ steel or carbide.



### TRI-FORMED OUTER BOX

Offering rigidity and strength, the tri-formed outer box sets KAGE aside from modified truck plows by providing a commercial-grade support structure for the plow.



### FLOATING SKIDS

These curb-accommodating floating skids allow the operator to clean right up to the curb without interference from the skids or the side panel.

# SIMPLY SMART, BUILT TOUGH



## ATTACHMENT OPTIONS

*Floating Quick Attach*

*Bucket Clamps*

*3-Point Hitch*



TO ORDER CALL 651-433-4628, OR GO ONLINE: [KAGEINNOVATION.COM](http://KAGEINNOVATION.COM)

See Specifications  
on Page 49

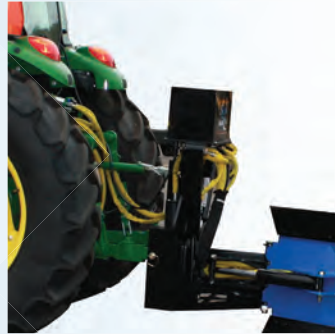


# SHADOWBLADE PATENT PROTECTED



## OPTIONAL LASER GUIDANCE

The optional laser guidance reminds the operator when the ShadowBlade is deployed off to either side. See WingLine (pg. 41).



## 3-POINT SNOW ATTACK

The ShadowBlade is a patented 3-point rear snow blade attachment design. This new weapon will set your tractor up to be a worthwhile year-round investment.



## SIMPLE JOYSTICK CONTROL

Simple joystick control eases the operators ability to control both front and rear plow systems.



## HYDRAULIC VALVE CIRCUIT

Located at the rear of the tractor up high for easy access, the hydraulic valve circuit, stays clear of compacted snow.





# MOVE MOUNTAINS



SNOWFIRE  
SERIES

SNOWSTORM  
SERIES

**SHADOWBLADE**

SNOWDODGER  
SERIES

UNDER HITCH  
SERIES

KAGE KLAWZ

LIQUIDRAGE

ADVANTEDGE

WHEEL  
KADDY

KAGE  
KATCHER

GRASS  
DEFLECTOR

GREATER BAR

SNO  
MANAGEMENT

FLOW  
ACCESSORIES

TO ORDER CALL 651-433-4628, OR GO ONLINE: [KAGEINNOVATION.COM](http://KAGEINNOVATION.COM)

See Specifications  
on Page 50

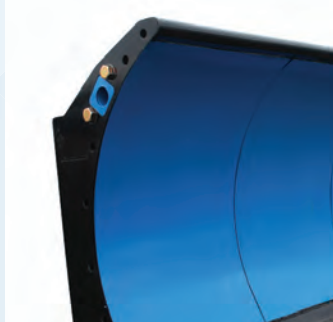
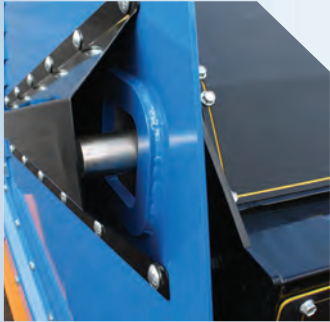
# SNOWDOZER

SNOW PLOW SYSTEM PATENT PROTECTED



## BLADE AND BOX ONE SLICK COMBO

It is designed for Loaders 30,000 - 50,000 pounds and 300+ hp tractors. Big jobs need a big plow and KAGE's SnowDozer is manufactured in 12' to 20' widths. The two-in-one blade and box combo quickly becomes the favorite and most productive part of your snow removal fleet.



### HYDRAULIC LATCH PINS TO SECURE BOX

The SNOWDOZER plow system offers unrivaled intuition and simplicity.

### 1 INCH BOLTS SECURE SECTIONS

Custom build to the width of your choice with 36 and 24 inch sections.



TWO-IN-ONE BLADE + SNOWKAGE BOX



### HEAVY DUTY TRIP SPRINGS

These heavy duty springs allow the cutting edge to trip over objects such as curbs and man holes without losing the entire load.



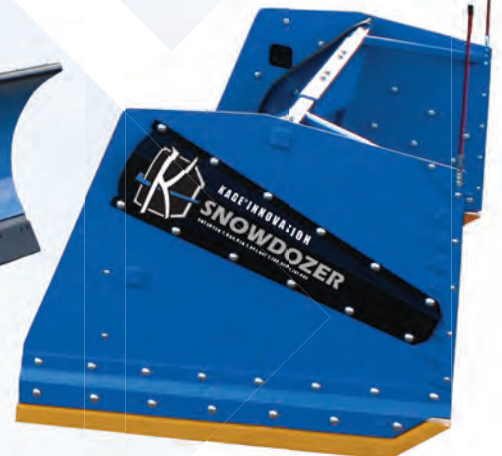
### TRIP EDGES

Every feature, such as the trip edge, on the SNOWDOZER is overbuilt by design. Snow removal professionals with years of experience, tested and choose it to be the best trip mechanism.



### GO FROM ANGLE PLOWING TO SNOW PUSHING IN SECONDS

Unlike wing plows, this patented System is simple and robust with fewer moving components.



Check out the **AdvantEDGE** on page 27



# BIG PLOW FOR BIG JOBS!



\*Floating quick attach or 3-point hitch options

TO ORDER CALL 651-433-4628, OR GO ONLINE: [KAGEINNOVATION.COM](http://KAGEINNOVATION.COM)

See Specifications  
on Page 51

- SNOWFIRE SERIES
- SNOWSTORM SERIES
- SHADOWBLADE
- SNOWDOZER SERIES**
- UNDER HITCH SERIES
- KAGE KLAWZ
- LIQUIDRAGE
- ADVANTEDGE
- WHEEL KADDY
- KAGE KATCHER
- GRASS DEFLECTOR
- GREATER BAR
- SNOW MANAGEMENT
- PLOW ACCESSORIES

# SNOWDOZER WING

SNOW PLOW SYSTEM PATENT PROTECTED



## FAR BEYOND "WINGING IT"

With the SnowDozer Wing, your snow removal options on sizeable machines are limitless. Rich with self leveling, float and breakaway safety features, this is a large wing plow with a short learning curve and minimal maintenance. Covering a range of 12' to 28' with options of 4' and 5' wings, the SnowDozer Wing excels in mid to large plow jobs.

Top that with its attention to detail, and you'll find it produces the best scrape without spillage, leakage, skimming or skipping.



### FLOATING SKIDS

With 6-7" of oscillating vertical travel, the floating skids enable quick leveling, ride over curbs and wear evenly.



### DOUBLE ACTING CYLINDERS

These cylinders are easy to obtain and easy to repair.



### INFINITELY ADJUSTABLE

Both wings are adjustable up to 180 degrees with no pre-set stopping points, providing a wide range of mobility.



### ANGLE PLOW

Equipped with 34-degree power angling to easily direct snow to the side for windrowing and more.



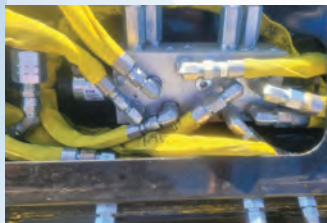
### SIMULTANEOUS WINGS

The simple 3-button control allows the operator to move the wings simultaneously or individually.



### TIGHT FITTING HINGES

Tight-fitting hinges and rubber flaps prevent snow from leaking between the moldboard and wing to limit cleanup.



### CROSSOVER RELIEF VALVE

Both wings and moldboard are protected by hydraulic crossover relief preset at 1,700 and 2,500 PSI, respectively.



### TRIP EDGE WING

Each wing has a compression spring trip edge that trips back 55 degrees to clear curbs and other obstacles.





# NOW WE'RE TALKIN!



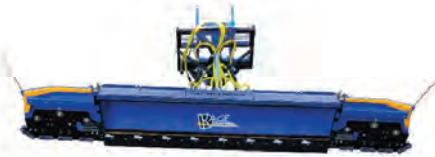
UP TO 28 FEET

Check out the **AdvantEDGE** on page 27

Wing Mode



Wide Mode



Backdrag Mode



Box Mode



TO ORDER CALL 651-433-4628, OR GO ONLINE: [KAGEINNOVATION.COM](http://KAGEINNOVATION.COM)

See Specifications  
on Page 53

# UNDER HITCH UNIVERSAL UNDERCARRIAGE



## BRINGING 3-PT VERSATILITY FORWARD

Gone are the days of custom fitting tractor undercarriages to every make and model. KAGE's Under-Hitch adjusts to fit tractors of different sizes and shapes to ensure a perfect fit at a fraction of the cost of most other undercarriages on the market. Use the Under-Hitch for snow plows, 3-point hitch attachments and eventually PTO attachments - all in the front of your tractor.



### 4-POINT INSTALLATION

Install the Under-Hitch to virtually any tractor in 2-3 hours, bolting it to the bumper, drawbar & 2 stabilizers.



### BOOM FRIENDLY

There is no need to remove the boom brackets for loader arms. The Under-Hitch does not interfere with them.



### 3 OPTIONS

The Under-Hitch is available in 12-foot and 8-foot (standard & light duty) length options. Each offers 20" of adjustment.



### FRONT 3-POINT HITCH

Adding a 3-point hitch to the front of the tractor, the Under-Hitch can pick up and carry CAT II attachments.



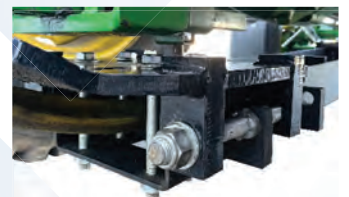
### 12K-LB LIFT CAPACITY

Equipped with 3.5" bore lift cylinders, it can lift more than 12,100 pounds at 2500 PSI at the 3-point hooks.



### GROUND CLEARANCE

All KAGE Under-Hitch options are designed to provide maximum ground clearance at the center of the tractor.

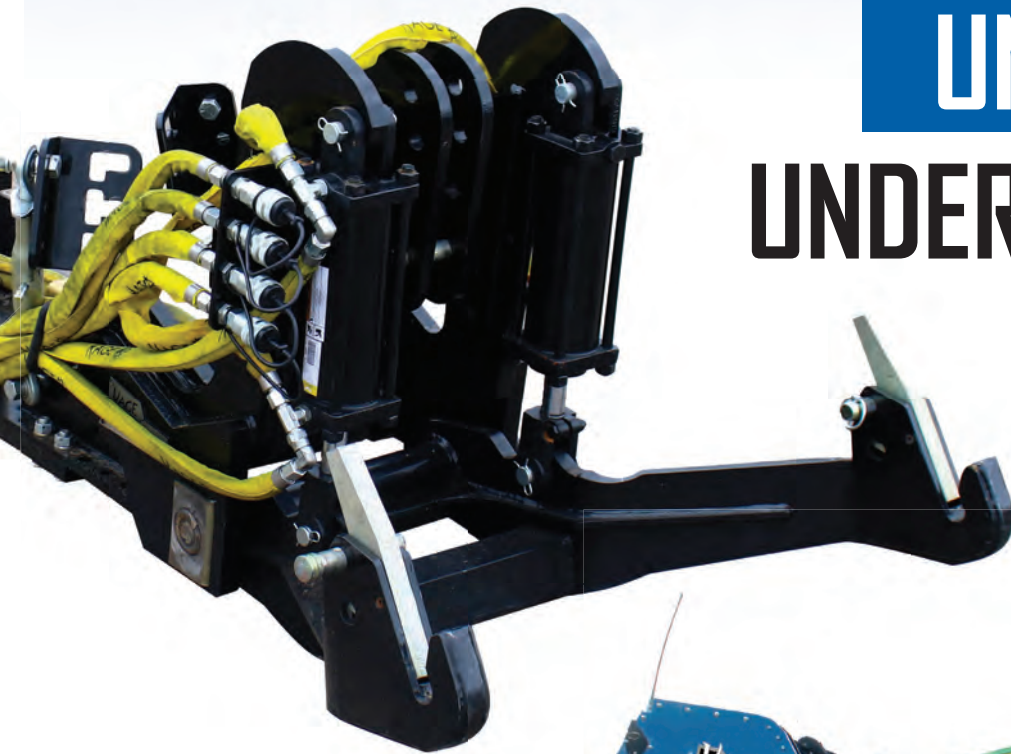


### DRAWBAR SLIDE

The threaded adjustment rod allows keeps the frame tight to prevent slop and egging out of bolt holes.



# KAGE TOUGH



## UNIVERSAL UNDERCARRIAGE

For 35 hp to 500 hp tractors

### Fits All KAGE Plows

All appropriately-sized KAGE snow plows are compatible with an Under-Hitch system.



TO ORDER CALL 651-433-4628, OR GO ONLINE: [KAGEINNOVATION.COM](http://KAGEINNOVATION.COM)

See Specifications  
on Page 54

22

- SNOWFIRE SERIES
- SNOWSTORM SERIES
- SHADOWBLADE
- SNOWDODGER SERIES
- UNDER HITCH SERIES**
- KAGE KLAWZ
- LIQUIDRAGE
- ADVANTEDGE
- WHEEL KADDY
- KAGE KATCHER
- GRASS DEFLECTOR
- GREATER BAR
- SNOW MANAGEMENT
- PLOW ACCESSORIES

# KAGE KLAWZ SNOW TIRES



## HORSEPOWER'S NOT THE ISSUE

We've done the side by side tests and there's no comparison in performance between conventional skidsteer tires and the Kage Klawz. Even in a downward sloped drive, the results were obvious - the traction of the Kage Klawz proved to be the game changer for skidsteer snow removal. You have all the power you need, now just put it to use.

## RADIAL VS BIAS TECHNOLOGY

MICHELIN® XM+S4 Pre-mold Retread Tires are the best performing snow tire tread on the market. They come with a Tread-Life Warranty\* serviceable at any Michelin Retread dealer near you which will minimize down time — and with retreads, you may never need to buy a set of replacement tires again.

\*Michelin Pre-mold Retread Tires are warranted for the life of the tire, or down to 2/32 which is the legal limit. Search online for a certified Michelin retread tire dealer near you.

# GET A GRIP



## MICHELIN XM+S4 RETREADS

These tires allow the machine to transfer more power to the ground and absorb more shock from uneven surfaces.

## PROTECTED VALVE SYSTEM

Wheels come standard with a welded valve protector.





# LESS SPIN, MORE DRIVE



SNOWFIRE  
SERIES

SNOWSTORM  
SERIES

SHADOWBLADE

SNOWDODGER  
SERIES

UNDER HITCH  
SERIES

**KAGE KLAWZ**

LIQUIDRAGE

ADVANTEDGE

WHEEL  
KADDY

KAGE  
KATCHER

GRASS  
DEFLECTOR

GREATER BAR

SNOW  
MANAGEMENT

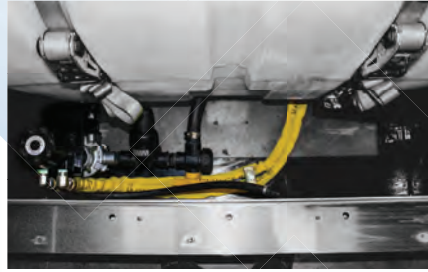
FLOW  
ACCESSORIES

TO ORDER CALL 651-433-4628, OR GO ONLINE: [KAGEINNOVATION.COM](http://KAGEINNOVATION.COM)

See Specifications  
on Page 55



# LIQUIDRAGE ANTI-ICING SPRAY TECHNOLOGY PATENT PROTECTED



## TOP 10 REASONS TO USE LIQUID ICE CONTROL

1. Liquid products are better for turf, soil, and ground water
2. Liquids do not bounce off your target coverage area
3. Liquid anti-ice applications do not 'plow off'
4. Liquids almost completely eliminate tracking into buildings and reduce corrosion and build up
5. Liquid anti-icing applications prevent ice bonding to the pavement
6. Liquids are easier to pump than dry salt is to scoop
7. Liquid blended products include corrosion inhibitors which lengthens equipment life
8. It takes 10x more resources to post de-ice than pretreat with liquid
9. Dry salt stops working at 10-15 degrees F
10. It takes 20 minutes for dry salt to start working at 25 degrees F

## ADVANTAGES AND FEATURES

Anti-icing liquids are becoming all the rage. Use fewer solids to get the job done, and provide your customers with top-notch service.

The LiquidRage enables you to apply brine and other chemicals from your skidsteer or tractor, without the need to buy expensive adapters and other equipment.

### Features:

**Adaptable to skidsteers and ag tractors (universal skidsteer attachment, CAT II 3-Point Hitch attachment)**

- >Fully enclosed design protects critical components
- >150 gallon capacity
- >Up to 10' spray width
- >Quick release nozzles
- >Stainless Steel Protectant flange
- >Pressure regulator
- >Pump motor
- >Drain Valve

## BRINE MIXER

The optional brine mixer kit, it provides you with an easy way to agitate your brine. This is easily done by breaking the bag with the ripper teeth and turning on your hydraulics to pump water through the tank.





# LESS ICE, CLEANER SURFACE



Check out its **Summer Applications** on page 60

TO ORDER CALL 651-433-4628, OR GO ONLINE: [KAGEINNOVATION.COM](http://KAGEINNOVATION.COM)

See Specifications  
on Page 56

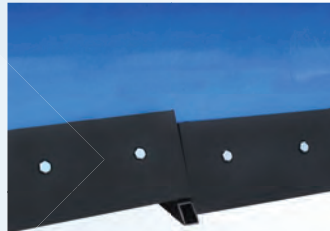
- SNOWFIRE SERIES
- SNOWSTORM SERIES
- SHADOWBLADE
- SNOWDZER SERIES
- UNDER HITCH SERIES
- KAGE KLAWZ
- LIQUIDRAGE**
- ADVANTEDGE
- WHEEL KADDY
- KAGE KATCHER
- GRASS DEFLECTOR
- GREATER BAR
- SNOW MANAGEMENT
- FLOW ACCESSORIES

# ADVANTEDGE FLEX CUTTING EDGE SYSTEM PATENT PROTECTED



## FRONT AND WING BLADE FLEX EDGE SYSTEM

Until now, sectional plows and cutting edges have only been available on a few brands of plows. The AdvantEDGE™ makes it possible to harness sectional cutting edge technology on almost any plow or pusher available on the market today!



## REDUCES DAMAGE TO PLOWED SURFACES

The AdvantEDGE reduces the damage to curbs, and asphalt/concrete transitions by contouring the substrate instead of driving into the plowing surface all while scraping better!

Each 18" or 24" cutting edge section comes with the choice of a Hardox™ wear-plate, or a Carbide cutting edge.

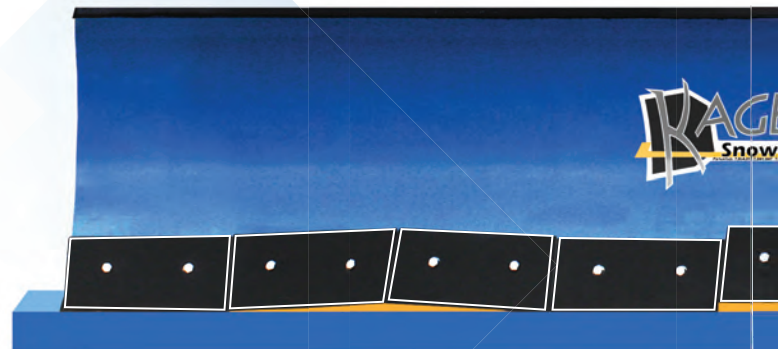


## AUTOMATICALLY NAVIGATES PEAKS AND DEPRESSIONS

No pavement is perfectly flat, so unless your cutting edge is flexible, you're leaving snow behind. The independent cutting edge sections of the AdvantEDGE help the blade to contour to the shape of any surface. **The more snow you can remove during your plowing operations, the less salt and sand usage you'll have.**

## PRESSURE ADJUSTABLE ENCAPSULATED DESIGN

This patented design gives you the flexibility to adjust the pressure on each section so you can obtain just the right amount of preload. Each section is equipped with multiple 120 lb/inch die springs. AdvantEDGE uses a closed face design reducing the impact that salt, sand, and ice can have. Each section is completely covered by the cutting edge, which is easily replaced by removing two bolts.





# UNIVERSAL MOUNT

Hardox Steel

Carbide



- SNOWFIRE SERIES
- SNOWSTORM SERIES
- SHADOWBLADE
- SNOWDODGER SERIES
- UNDER HITCH SERIES
- KAGE KLAWZ
- LIQUIDRAGE
- ADVANTEDGE**
- WHEEL KADDY
- KAGE KATCHER
- GRASS DEFLECTOR
- GREATER BAR
- SNOW MANAGEMENT
- FLOW ACCESSORIES

See Specifications  
on Page 57

TO ORDER CALL 651-433-4628, OR GO ONLINE: [KAGEINNOVATION.COM](http://KAGEINNOVATION.COM)

# WHEELKADDY COMMERCIAL MOWER SULKY



## 250 SERIES

Simple and durable. The economic model that gives you the lowest maintenance sulky ever.

## SULKY

We designed the KAGE WheelKaddy with two things in mind: Increased life expectancy, and reduced down time. That is why this sulky utilizes automotive-grade components, such as tapered roller bearings, drive-train (PTO) pivot yokes, and a grade 50 steel platform. Experience less down time plus a more comfortable ride because of our designed-by-the-user approach!



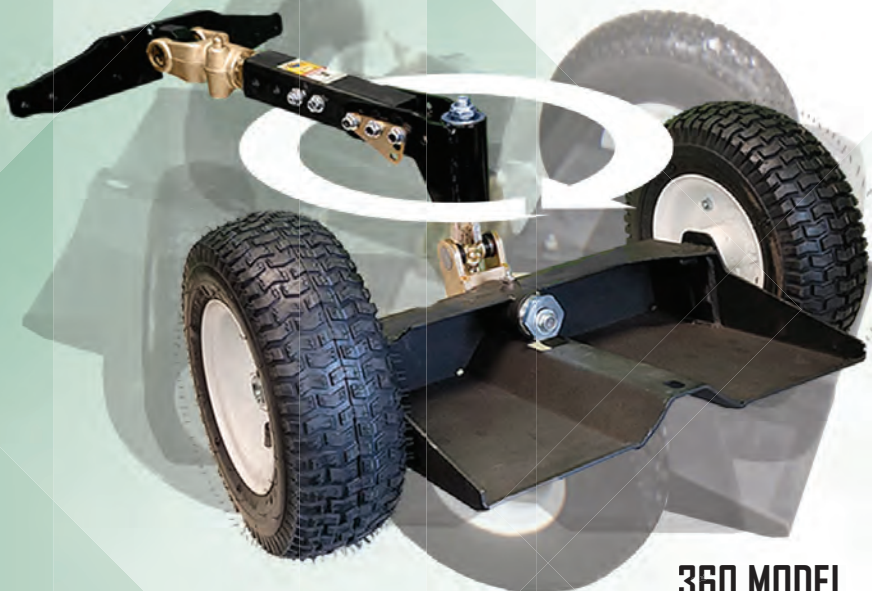
## 500 SERIES

The original. Simple, yet packed with features and as durable as they come! The 500 series features a very smooth ride with the unique suspension.



## 360 SERIES

The 360 series swings 360 degrees for backing up without damaging turf. This model features suspension, longevity, and full 360 degree range of motion.



## 360 MODEL





# COMMERCIAL GRADE



250 MODEL

500 MODEL

TO ORDER CALL 651-433-4628, OR GO ONLINE: [KAGEINNOVATION.COM](http://KAGEINNOVATION.COM)

See Specifications  
on Page 59

SNDWFR  
SERIES

SNDWSTM  
SERIES

SHADWBLD  
SERIES

SNDWDRZ  
SERIES

UNDR HCH  
SERIES

KAG KLWZ

LQDRG

ADVNTDGE

WHL  
KADY

KAG  
KATCHR

GRSS  
DFLCTR

GRTR BR

SNDW  
MNGMT

PLW  
ACCSSRIS



# KAGE KATCHER

COMMERCIAL & RESIDENTIAL GRASS CATCHER PATENT PENDING



## Making Clean Up Easy

KAGE's one-of-a-kind grass, leaf, and shrub trimming collector is designed to help the operator be more efficient during fall and spring clean up. Featuring an electric actuator, the KAGE Katcher is designed to open by the flip of a switch to release the contents while the operator remains in the driving position.



### ELECTRIC ACTUATOR

The heart of the KAGE Katcher is the IP 65-rated, 400lb-lift electric actuator. This allows the operator to seamlessly transition from emptying to collecting without leaving the driver's position.



### MAGNETIC SWITCH MOUNT

Easily toggle the actuator switch by using the ergonomic magnetic mount to customize the placement and angle to your preference.



### QUICK-CONNECT PLUG

The quick-connect plug is the fastest and easiest way to disconnect your wiring harness from the basket. Just unplug the wire, and you are able to remove the basket by simply lifting it off of the machine for storage or other purposes.



### ANGLED DESIGN

The KAGE Katcher's angled design allows the operator to easily ride over curbs, slopes, and ditches.



### QUICK-RELEASE HINGE

KAGE designed the quick-release hinge as a way to easily access the electric actuator without any tools.

\*Available in steel and aluminum





# MOTORIZED DUMPING

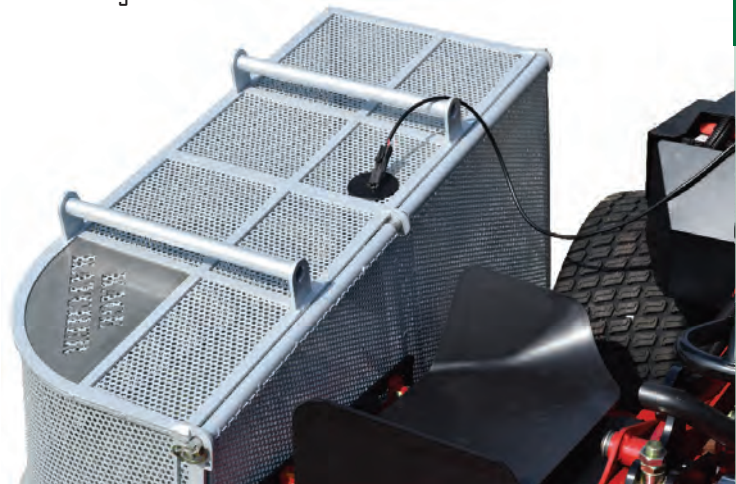


## THE KAGE ADVANTAGE

The KAGE Katcher is designed for mowers of numerous styles and brands. This simple grass catcher allows you to collect and dump leaves, clippings and trimmings on the go!

Use the handy rocker switch to activate the electric dump mechanism. Open the mechanism to dump, and leave it open to allow the clippings to disperse without collecting them! This simple system reduces fatigue and allows the operator more time for cutting and collecting by reducing time spent unloading and dumping.

\*Large handles



TO ORDER CALL 651-433-4628, OR GO ONLINE: [KAGEINNOVATION.COM](http://KAGEINNOVATION.COM)

See Specifications  
on Page 61



# GRASS DEFLECTOR

LAWN MOWER GRASS DEFLECTOR



## MOTORIZED GRASS DEFLECTOR

The KAGE Grass Deflector is by far the best grass deflector on the market. Equipped with a fully-adjustable opening that makes it easy for the operator to control the amount of grass clippings, makes this electric Grass Deflector unique in its ability to quickly and easily attach/detach from multiple lawnmower models and adjust to nearly any situation.



### BREAKAWAY TORSION SPRING

Upfitted with a breakaway torsion spring, this deflector protects your investment by allowing the flap to fold down if an object comes in contact with it.



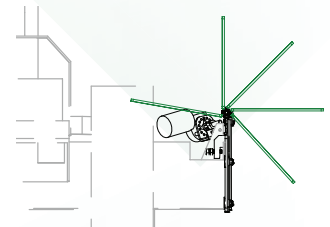
### FULLY-ADJUSTABLE FLAP

By having a fully-adjustable flap, the operator can adjust the opening of the flap from fully open to closed, and anywhere in between.



### QUICK-RELEASE WIRE HARNESS

Quickly attach or detach the harness in a matter of seconds with the quick-connect plug. Also use the wire harness for the Kage Katcher grass catcher with no modifications.



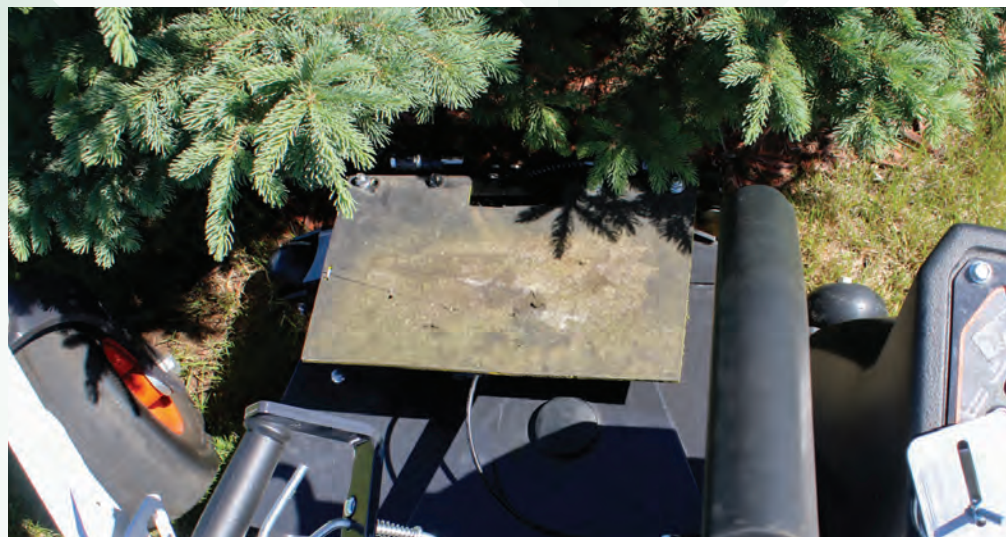
### UP TO 260-DEGREE PIVOT

The up to 260-degree adjustable deflector flap, allows it to seamlessly fold on top of the mower deck to easily maneuver underneath obstacles. Such as, low-hanging branches.



### ERGONOMIC SWITCH MOUNT

Equipped with a magnetic and easily adjustable switch mount, the KAGE Grass Deflector adjusts on the fly to the operator's preference.





# SIMPLE AND EASY



TO ORDER CALL 651-433-4628, OR GO ONLINE: [KAGEINNOVATION.COM](http://KAGEINNOVATION.COM)

See Specifications  
on Page 62

SNOWFIRE  
SERIES

SNOWSTORM  
SERIES

SHADOWBLADE

SNOWDODGER  
SERIES

UNDER HITCH  
SERIES

KAGE KLAWZ

LIQUIDRAGE

ADVANTEDGE

WHEEL  
KADDY

KAGE  
KATCHER

GRASS  
DEFLECTOR

GREATER BAR

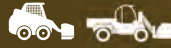
SNOW  
MANAGEMENT

FLOW  
ACCESSORIES



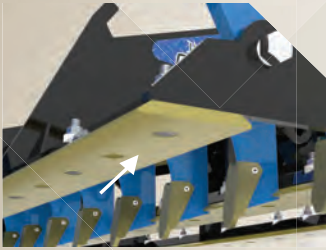
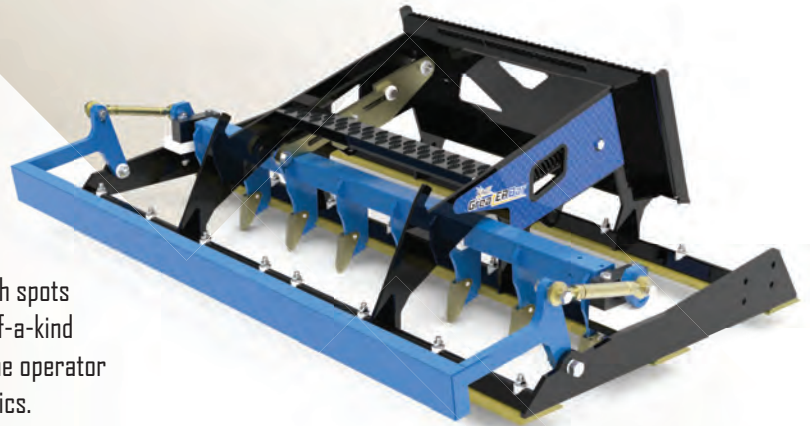
# GreatER BAR

GREATER BAR SYSTEM PATENT PROTECTED



## Ground Breaking Design

Grading Bars and Land Planes are commonly used to make ground more suitable for sports and turf grass. They are also used for building drainage ditches, gravel roads, driveways, equestrian trails, food plots, motorsport tracks, and landscape features. Grading Bars are the fastest and easiest way to cut high spots down and fill small depressions. The KAGE GreatER BAR is a one-of-a-kind land plane with mechanically retractable scarifier teeth, saving the operator the hassle of manually deploying the teeth or dealing with hydraulics.



### REPLACEABLE BOLT-ON CUTTING EDGE

The cutting edges are easily replaceable for simple maintenance, and they increase the longevity of the GreatER Bar frame.



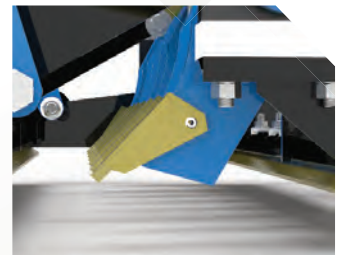
### SPRING LOADED RIPPER BAR

The KAGE GreatER Bar makes it easy for the operator and removes the potential of hydraulic failure by using a mechanically-activated Quick Rip Bar. This bar not only allows the teeth to rip & feather, but also holds the teeth up and out of the way when deactivated.



### HEAVY DUTY COMPONENTS

Key mechanical pieces are built from HARDOX™ steel which provides longer wear life and more durability than high-carbon steel. Corner gussets also ensure durability for the frame of the grader, making it overbuilt by design.



### QUICK RIP TEETH

Operators will benefit from the rip and feather feature, which means, when the teeth are deployed they automatically float when the machine is in reverse and will rip when the operator moves forward.



We make it easy...

No Manual or Hydraulic Ripper Teeth

**KAGE**  
**GreatER Bar™**



# LAND PLANES



**“Dirt Work Done Right”**

\*Bucket hooks

TO ORDER CALL 651-433-4628, OR GO ONLINE: [KAGEINNOVATION.COM](http://KAGEINNOVATION.COM)

See Specifications  
on Page 64

SNOWFIRE  
SERIES

SNOWSTORM  
SERIES

SHADOWBLADE

SNOWDZER  
SERIES

UNDER HITCH  
SERIES

KAGE KLAWZ

LIQUIDRAGE

ADVANTEDGE

WHEEL  
KADDY

KAGE  
KATCHER

GRASS  
DEFLECTOR

**GREATER BAR**

SNOW  
MANAGEMENT

PLOW  
ACCESSORIES

# SNOW MANAGEMENT



## SNOW STAKE SYSTEM

### STAY ON TRACK ALL SEASON

KAGE developed this Pounder & Quiver Kit to address the shortcomings of conventional snow stakes. The KAGE Pounder punches a perfect hole for the marker stake. The 3 lb. slide hammer can punch through the toughest soils frozen or not and even road base gravel.

The Quiver features high-quality nylon material and carries 120 stakes up to 36" long. Strap the quiver to your leg and waist or your back like a traditional quiver, using the two 2" wide straps and industrial strength buckles.

Our Snow Plow Stakes are made of a durable polymer blend which readily rebounds after impact, even in sub-zero temperatures. Available in 26", 32" and 36" lengths.

Replacement tips are available and can be stored inside the pounder..



## BUDDY STRAP

### MINIMIZE BACK STRAIN

The Buddy Strap includes many features that make what was previously a chore, fun! A major benefit of the strap is that the shovel assist loop is universal, so you can enhance any D-handled snow shovel in 5 minutes, saving you time, money, and back strain.

Simply attach the strap to the shovel and you can sling it over your shoulder for hands-free carrying. For high-speed commercial applications, the one-handed on and off design allows for easy access.

The strap does not interfere with stacking or storage, so when it's time to put your shovel away, you can do so with ease. The durable seatbelt material resists damage and abuse, and with reinforced stitching and grommets, the heavy duty strap won't tear or weather.





# A TOOL FOR ANY JOB



## POLY ROTOR PADDLES

KICK MORE SNOW... LONGER

Single-stage snow blowers are a crucial part of your snow removal business. It's hard enough to keep them maintained without the frequent paddle and scraper bar replacement due to normal wear. Compared to rubber paddles, Poly Rotor Blades last up to 4 times longer, produce a cleaner wear edge and sell for the same price.

KAGE's Poly Rotor Paddle keeps its edge as it wears, cutting down to the pavement and cleaning more efficiently.



Available for Toro® 21" blowers



## SNOWBLAZE SHOVEL

CLEAR SNOW MORE EFFICIENTLY

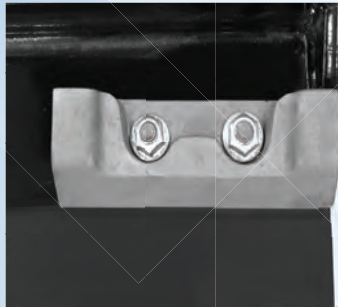
The SnowBlaze revolutionizes the way that commercial contractors and home-owners alike are able to remove larger quantities of snow than your average shovel. Clearing long stretches of sidewalk, or even driveways is easiest if you can 'windrow' the snow. By 'plowing' the snow to one side while pushing it forward, you are displacing the snow in two directions, and containing the dribbles to one side. The flip-stick used for windrowing tucks up and out of the way when not in use and does not interfere with pushing, back-dragging, or lifting the snow.



The SnowBlaze also utilizes a steel or plastic cutting edge that is easily removable and replaceable. It is also supported by an aluminum backing bar to help keep the edge straight.

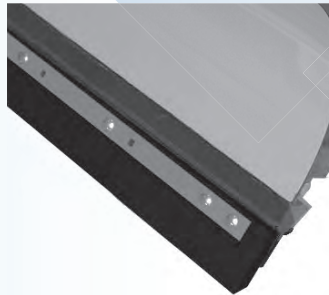
TO ORDER CALL 651-433-4628, OR GO ONLINE: [KAGEINNOVATION.COM](http://KAGEINNOVATION.COM)

# PLOW ACCESSORIES



## CURB GUARD KIT

Optional curb guard kit helps reduce wear to the trip edge. Clean curb lines are crucial, but don't wear out your plow in the process! The curb guards are sold as a kit, and they are able to transpose so that you get double the wear.



## POLYURETHANE CUTTING EDGE

The Polyurethane Cutting Edge is useful when plowing delicate surfaces such as decorative concrete and pavers, or seal-coating.

In our experience, this proprietary blend of polyurethanes outlasts rubber, and even steel in some cases without damaging the plowing surface. The edge is 1 ½ inches thick, pre-drilled, and the optional kit comes with a steel support strip and extra long carriage bolts for easy installation.



## PLOW GUIDE

High visibility plow guides keep you on track during plow time and help prevent landscape and curb damage.

These brightly-colored guides are bendable, easy to replace and universal to all KAGE plows.

Check out the **AdvantEDGE** on page 27



# WE FIT YOUR NEED



## CUTTING EDGE LIFE EXTENDERS

Add these carbide edge life extenders at the ends, and center of the plow to increase the life expectancy of your cutting edges. These are sold in kits including the carbide embedded edge, and two bolts and locknuts to replace the existing hardware.

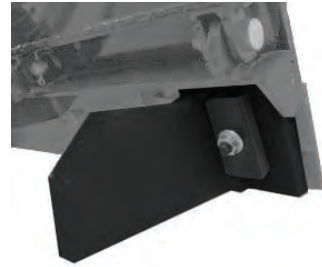


## TENSION SPRING

The tension spring is a spring that can be inserted inside the spring tubes of the SnowFire system.

This is designed to increase the tension of the trip edge so that it takes more force to trip.

Tension springs should be added in equal quantities and mirrored placement on each side of the plow for consistent tension across the trip edge.



## BACK DRAG KIT

The Back Drag Kit, manufactured exclusively by KAGE Innovation, is designed to fit any 6" to 8" snow plow cutting edge with a highway punch bolt hole pattern. It also works great with trip-edge plows and when you're angling snow away from curbs.

The entire kit weighs 10 pounds, and it's built from the same uniquely-blended polyurethane material used in our Poly Cutting Edges and Poly Skids. It's far more durable and will last considerably longer than rubber.

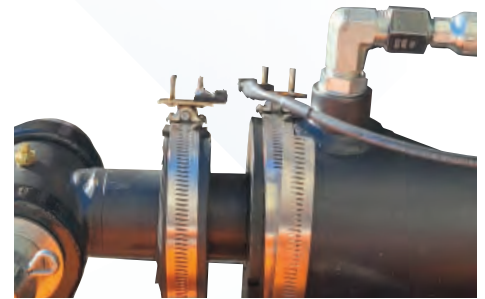
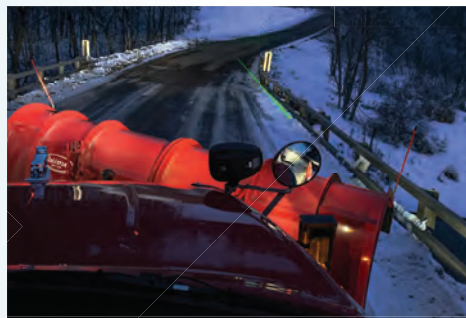


# WINGLINE™ LASER PLOW GUIDE



## BUILT TO MAKE YOUR JOB EASY

Wing Plows are a great way to increase productivity by clearing more ground per pass. The problem is that many operators do not use the wing because they can't see it and worry about hitting cars, guardrails and mailboxes which lead to costly claims. The WINGLINE™ fixes this issue by showing the operator a clearly projected line on the ground so they know where their wing will be before they reach the object.



## UNIVERSAL IN-CAB SUCTION CUP MOUNT

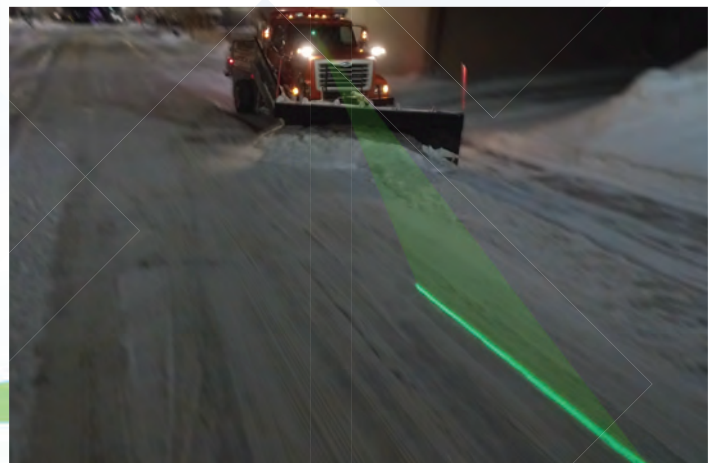
The WINGLINE™ is the most versatile and highly-visible laser on the market for snow removal applications. The in-cab suction cup mount was designed for municipal plow trucks but can be easily installed in anything with a windshield and a 12v power source. The Class IIIR laser is self contained, maintenance-free and provides a clearly projected line that operators can see.

## HIGH VISIBILITY LINE

Allows you to keep your eyes on the road and in control of the vehicle. The WINGLINE™ instantly projects a line in front of the vehicle directing the operator where the trailing edge of the wing plow will be, seconds before it arrives. This not only reduces liability, but also reduces operator fatigue and neck strain.

## REMOTE SWITCH

Alerts you when the wing is deployed increasing awareness to the operator. Using a simple IP67 switch mounted to the retract cylinder this system **turns on and off** with wing plow deployment so its nearly fail proof.



>>Turns on and off with activation of wing



# DRAWING A LINE IN THE SNOW



**COMPLETE KIT** is easy to install in about 45 minutes and comes with everything needed to install. The kit can be powered by 12V accessory plugs or hardwired.

High Visibility Laser with 12' of In-cab Cable
Dual Suction Fully-Adjustable RAM Mount
Wingplow Activation Limit Lever Sensor
30' Wingplow Limit Switch Cable
Manual On/Off Switch
12v Power Supply Adapter
Anti-Refraction Tube
Mounting Hardware
Assembly & Installation Instructions

TO ORDER CALL 651-433-4628, OR GO ONLINE: [KAGEINNOVATION.COM](http://KAGEINNOVATION.COM)

# SNOWFIRE SPECS

## SNOWBLADE

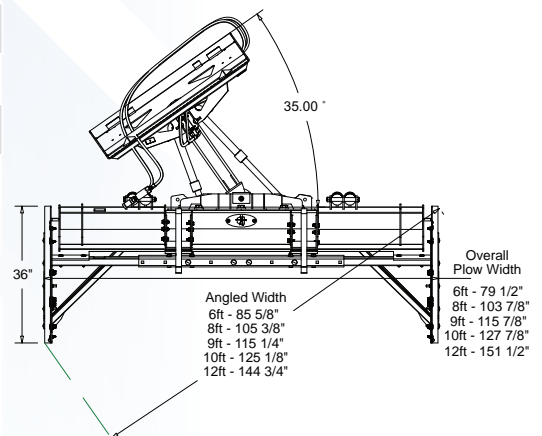
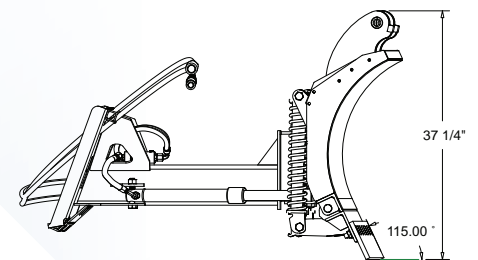
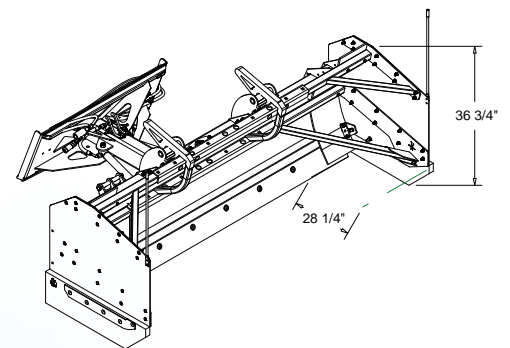
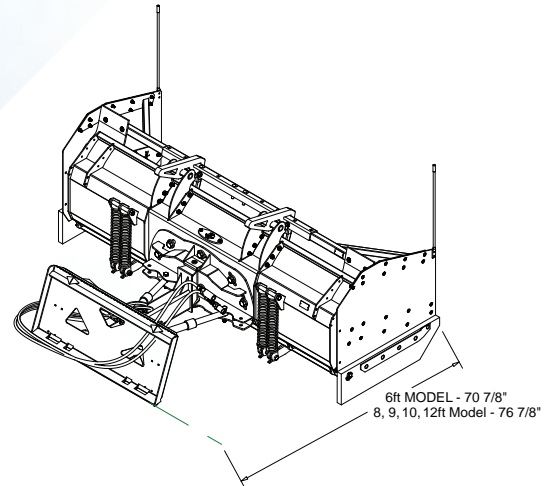
For Machines Weighing 5,000 lbs.	SB72/LB72	SB96/LB96	SB108/LB108	SB120/LB120	SB144/LB144
Blade Width	6'	8'	9'	10'	12'
Blade Width at Full Angle	59"	79"	88-1/2"	98-1/4"	125"
Oscillation (Degrees/Inch) Each End	6° / 7-1/2"	6° / 10"	6° / 11-1/4"	6° / 12-1/2"	6° / 15"
Moldboard Radius	15-1/2"				
Moldboard Gauge/Steel Grade	10 Ga. / Grade 50				
Universal Skid Steer Attachment Guide	Standard				
Trip Springs	4 Compression	4 Compression	4 Compression	4 Compression	8 Compression
Machine Size Recommendation	5,000 +	6,000 +	6,500 +	7,000 +	9,000 +
Cutting Edge	5/8" x 6" High Carbon				
Pivot Frame Length	Shortened (25")	Standard Length (31")			
Cross-Over Relief Valve	Standard				
Weight	906 lbs.	1,031 lbs.	1,087 lbs.	1,147 lbs.	1,651 lbs.
Cylinders	1-1/2" Rod	1-1/2" Rod	1-1/2" Rod	1-1/2" Rod	2" Rod
Blade Height	31-1/8"				

## SNOWKAGE

For Machines Weighing 5,000 lbs.	SB72/LB72	SB96/LB96	SB108/LB108	SB120/LB120	SB144/LB144
Overall Height	36 3/4"				
Overall Width	80"	104"	116"	128"	151-1/2"
Replacement Side Panels	YES				
Hook Thickness (Skid Steer Only)	1-1/2"				
Replacement Polyurethane Skids	Yes				
Unit Weight	366 lbs.	442 lb.			
Machine Size Recommendation	5,000 +	6,000 +	6,500 +	7,000 +	9,000 +
Overall Width at 35° Angle	85-5/8"	105-3/8"	115-1/4"	125-1/8"	144-3/4"

## SNOWFIRE SYSTEM

For Machines Weighing 5,000 lbs.	SBK72/LBK72	SBK96/LBK96	SBK108/LBK108	SBK120/LBK120	SBK144/LBK144
Total Weight (Blade & Box)	1,272 lbs.	1,473 lbs.	1,529 lbs.	1,589 lbs.	2,093 lbs.



**\*NEW\* - Fall 2024 - 54" SnowFire for Sidewalks!!**



# SNOWFIRE QUICK ATTACH SPECS

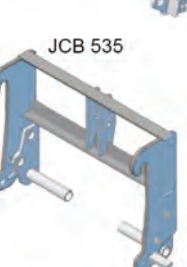
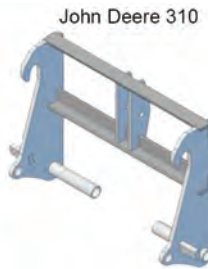
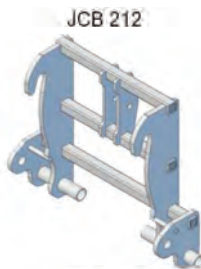
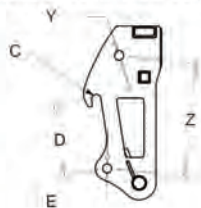
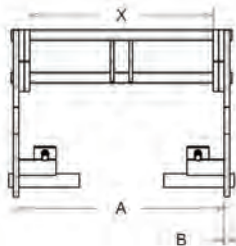
## SNOWFIRE QUICK ATTACH DIMENSIONS

Coupler	KAGE Part #	A (in inches)	B (in inches)	C (in inches)	D (in inches)	E (in inches)	X (in inches)	Y (in inches)	Z (in inches)
CAT IT28	28-10	21.875	1.125	2.520	19.937	2.063			
JCB 212	212	25.188	1.000	2.280	19.209	1.760	33.750		
John Deere 310	JD310	38.00	1.000	2.596	20.321	1.825			
JCB 409	409	35.125	1.000	1.650	12.289	1.590			
Takeuchi	TAK506580	37.250	1.125	1.580	12.200	1.580	33.126	1.580	19.690
Case 221	221	9.250	1.000	2.000	20.174	2.025	42.00		
FFC	FFC	47.500	1.000	2.066	24.498	2.060			
JCB 535	535-10	40.375	1.000	2.410	23.652	1.509			
Komatsu WB140	WB140	29.375	1.000	2.030	17.687	1.810			
Volvo 356-20	356-30	39.375	1.000	2.420	24.187	2.000			
New Holland Euro	845	30.250	1.000	1.650	11.750	.920			
Universal Coupler	28-600	-	-	-	-	-			

X: Marks additional width dimensions for ears on different planes than the main ears

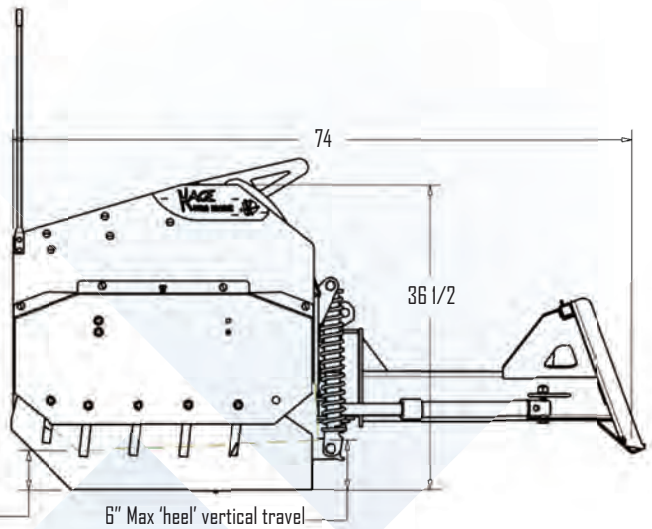
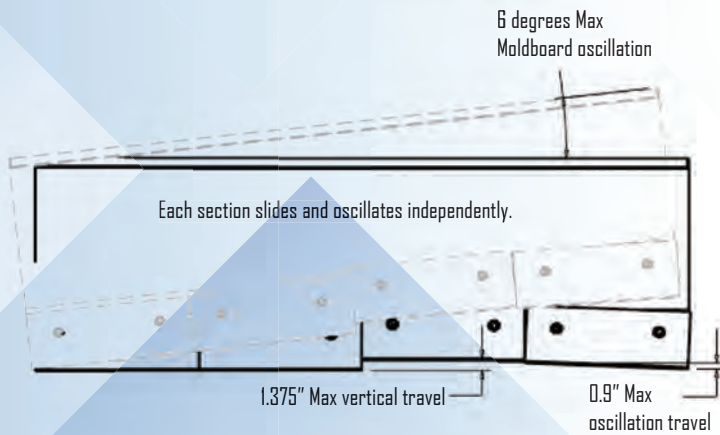
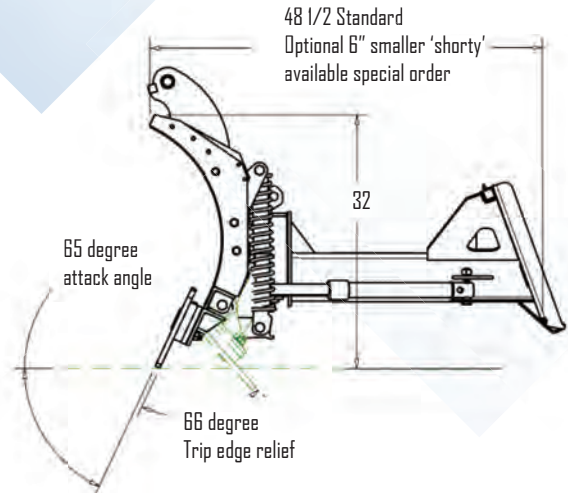
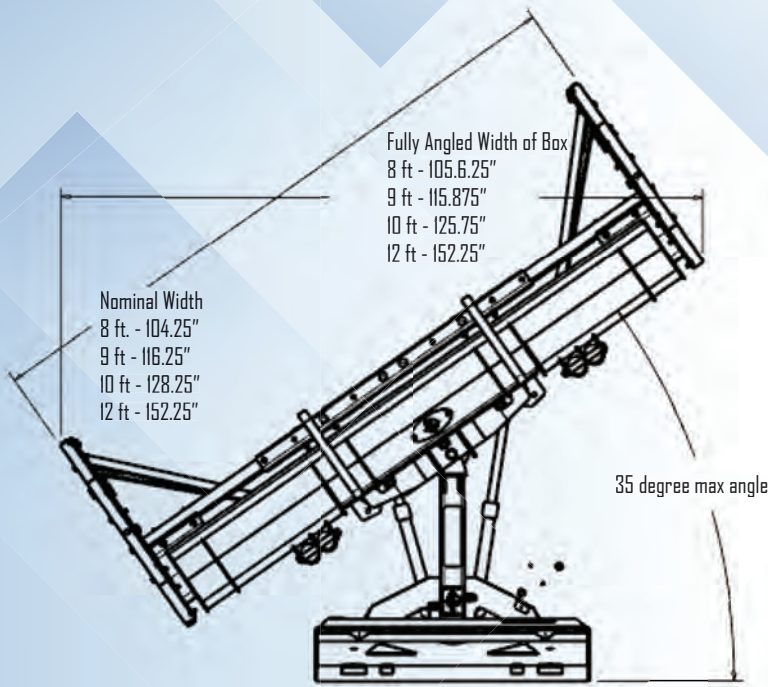
Y: Marks diameter for additional holes on combination couplers

Z: Marks additional dimensions for combination couplers



TO ORDER CALL 651-433-4628, OR GO ONLINE: [KAGEINNOVATION.COM](http://KAGEINNOVATION.COM)

# SNOWFIRE XTREME SPECS



For Machines Starting at 6,000 Lbs	SBKX96	SBKX108	SBKX120	SBKX144	LBKX108	LBKX120	LBKX144
Trip Springs	4	4	4	8	4	4	8
Crossover Relief Valve	Standard	Standard	Standard	Standard	Standard	Standard	Standard
Cutting Edges	Hardox	Hardox	Hardox	Hardox	Hardox	Hardox	Hardox
Recommended Carrier Size	6K—15K	6.5K—15K	7K—15K	8.5K—15K	6.5K—15K	7K—15K	8.5K—15K
Weight (System)	1757	1823	1889	2225	1993	2059	2395
Weight (Blade Only)	1231	1297	1363	1627	1467	1533	1797



# SNOWFIRE BLAST SPECS

## FLOAT SYSTEM

The unique snow pusher **trip edge** allows the steel cutting edge to trip back 68 degrees over immovable objects.

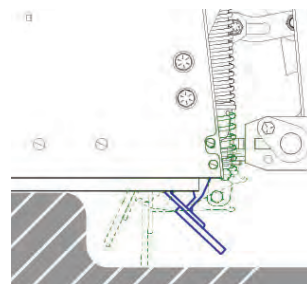
The **floating poly skid system** rides over crowns and contours with dips in the substrate - even over curbs!

The **floating quick attach** allows the whole system to tilt forward and backward to accommodate hills, valleys and the loader float mode without losing steering.

The unmatched **6-degree +/- oscillation slot plate** is located closely above the cutting edge to keep constant contact between the cutting edge and the pavement or other substrate.



SPRING-LOADED FLOATING SKID



8" TRIP EDGE

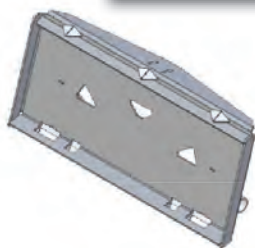


FLOATING QUICK ATTACH

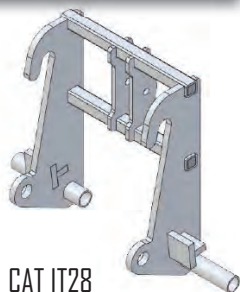


OSCILLATION SLOT PLATE

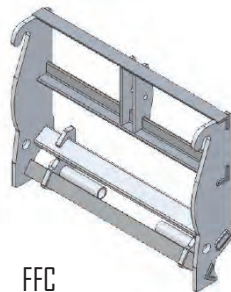
## ATTACHMENT OPTIONS



Skid Steer



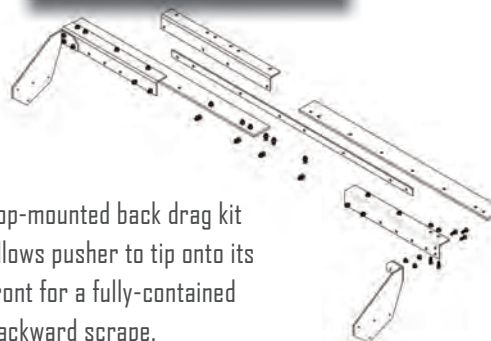
CAT IT28



FFC

More Loader & Tractor Attachments Available

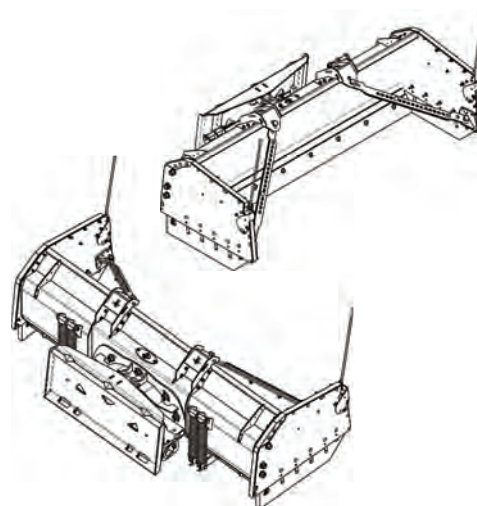
## BACK DRAG KIT



Top-mounted back drag kit allows pusher to tip onto its front for a fully-contained backward scrape.

## SNOWFIRE BLAST SPECIFICATIONS

Model:	SDP72	SDP96	SDP108	SDP120	SDP144
Size:	6'	8'	9'	10'	12'
Height:	32"	32"	32"	32"	32"
Overall Width:	78.5"	102.5"	114.5"	126.5"	150.5"
Depth:	54"	54"	54"	54"	54"
Weight:	1378 lbs	1497 lbs	1554 lbs	1611 lbs	1812 lbs
Oscillation:	6°/7.5"	6°/10"	6°/11.25"	6°/12.5"	6°/15"
Float:	4.2"	4.2"	4.2"	4.2"	4.2"



# SNOWSTORM SPECS

## SNOWBLADE

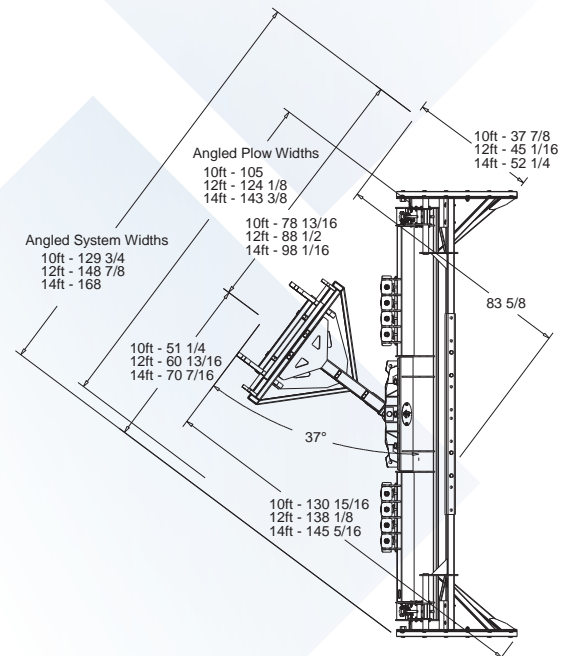
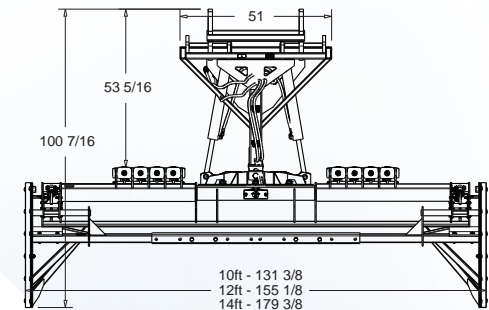
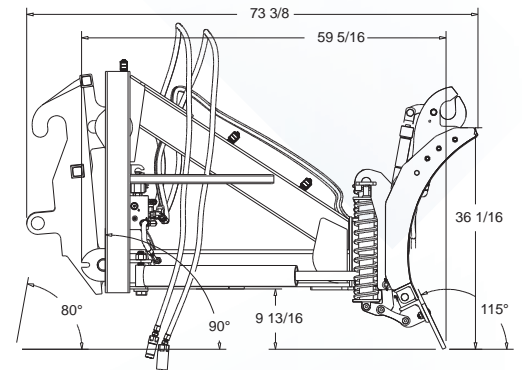
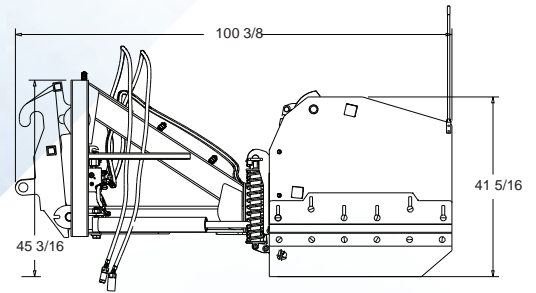
For Machines Weighing 15,000-30,000 lbs.	KBSS10	KBSS12	KBSS14
Blade Width	10'	12'	14'
Angle	36 Degrees		
Blade Width at Full Angle	97"	116-1/2"	136"
Oscillation (Degrees/Inch) Each End	6° / 12-1/2"	6° / 15"	6° / 17-1/2"
Moldboard Gauge/Steel Grade	10 gals. / Grade 50		
Loader Quick Attach	See Page 28		
Trip Springs	8 Compressions		
Cutting Edge	(2 pc.) 5/8" x 8" x 5'	(2 pc.) 5/8" x 8" x 6'	(2 pc.) 5/8" x 8" x 7'
Hydraulic Cross-Over Relief Valve	Standard		
Pivot Frame Length	48"		
Weight	2,282 lbs.	2,375 lbs.	2,468 lbs.
Cylinders (2)	(2) 3" Bore 1-1/2" Rod		
Blade Height	36"		
Electric/Hydraulic Valve Kit	12V/24V		

## SNOWKAGE

For Machines Weighing 15,000-30,000 lbs.	KBSS10	KBSS12	KBSS14
Overall Height	40"		
Overall Width	143"	155"	179-1/2"
Overall Width at Full Angle	131"	150-1/2"	169-3/4"
Approximate Capacity	12 yds. +	14 yds. +	18 yds. +
Replaceable Polyurethane Skids	2" x 10" x 42"		

## SNOWSTORM SYSTEM

For Machines Weighing 15,000-30,000 lbs.	KBSS10-XL	KBSS12-XL	KBSS14-XL
Total Weight (Blade & Box)	3,088 lbs.	3,181 lbs.	3,274 lbs.

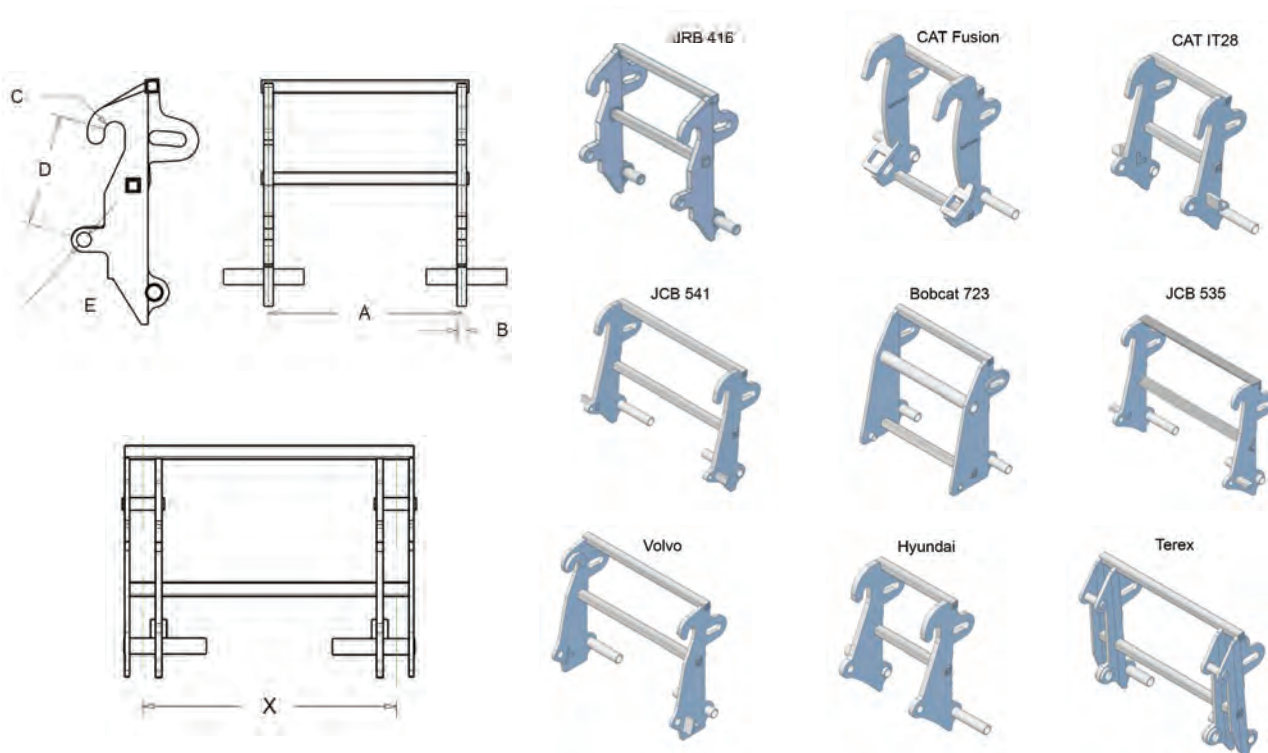




# SNOWSTORM QUICK ATTACH SPECS

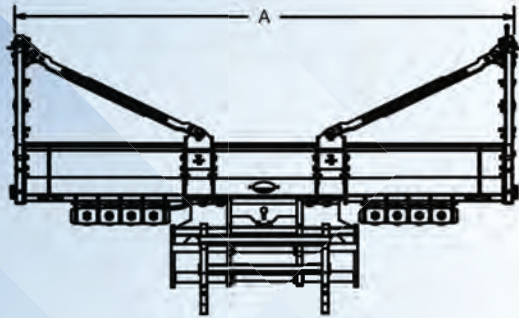
## SNOWSTORM QUICK ATTACH DIMENSIONS

Quick Attach	KAGE Part #	A (in inches)	B (in inches)	C (in inches)	D (in inches)	E (in inches)	X (in inches)	Non Stocked Additional Cost
JRB 416	JRB-416	30.628	1.500	3.001	16.281	2.126		
CAT Fusion	CATFUSION	22.875	1.500	5.000	24.625	3.376		
CAT IT28	CATIT28F-K	22.250	1.500	2.520	19.937	2.062		
Volvo	356-I	39.360	1.000	2.420	24.260	2.000		
Hyundai	HL740TM	22.287	1.500	2.461	19.770	1.992		
Terex	TERSKI863	34.250	4.000	1.969	19.860	2.362	39.250	
JCB 541	JCB541SS	42.484	1.500	2.266	23.687	1.265		
Bobcat 723	BBTC-723	31.250	1.000	3.250	22.437	1.275		
JCB 535	535-200	40.625	1.250	2.437	23.625	1.500		
JRB 418	JRB-418	32.750	1.500	3.030	20.670	2.060		Yes
CAT IT38	CATIT-38	36.250	1.500	3.090	22.790	2.060		Yes
Hi Viz	544HV	39.120	1.500	2.440	24.280	2.064		Yes
ACS 1000/2000	QA90006150							Yes



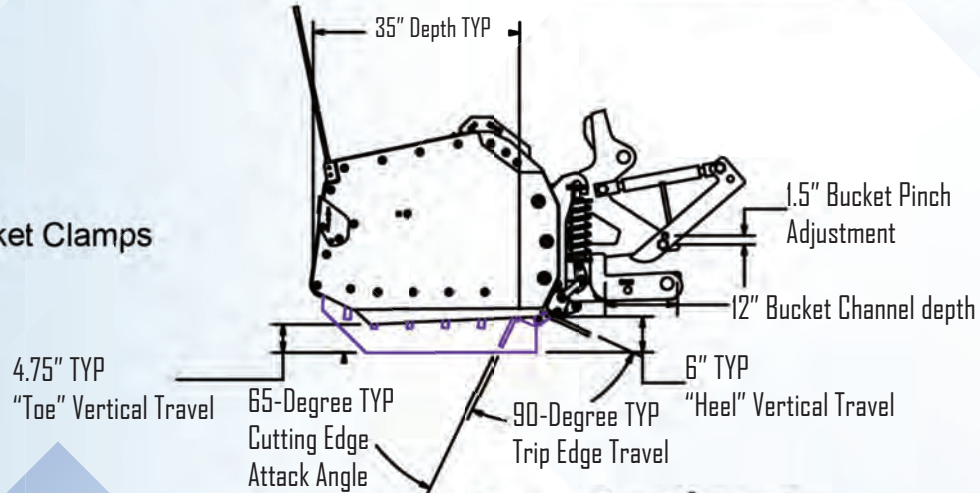
TO ORDER CALL 651-433-4628, OR GO ONLINE: [KAGEINNOVATION.COM](http://KAGEINNOVATION.COM)

# SNOWSTORM BLAST SPECS

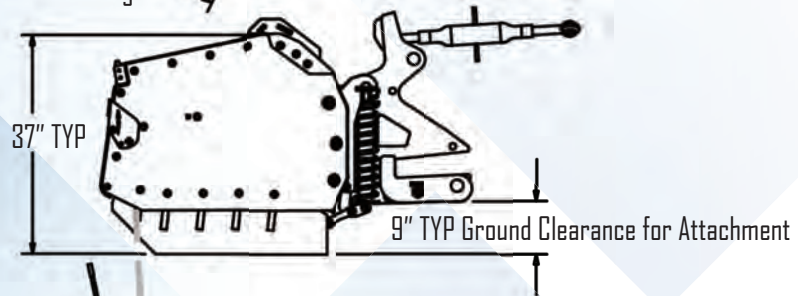


Model	A Inches	Weight	Rec. Machine Size
SSDP10—3 Point	124	1960	15K-30K
SSDP10—Bucket Clamps	124	1983	15K-30K
SSDP10—Quick Attach	124	2165	15K-30K
SSDP12—3 Point	148	2090	18K-30K
SSDP12—Bucket Clamps	148	2115	18K-30K
SSDP12—Quick Attach	148	2297	18K-30K
SSDP14—3 Point	172	2220	19K-30K
SSDP14—Bucket Clamps	172	2245	19K-30K
SSDP14—Quick Attach	172	2432	19K-30K

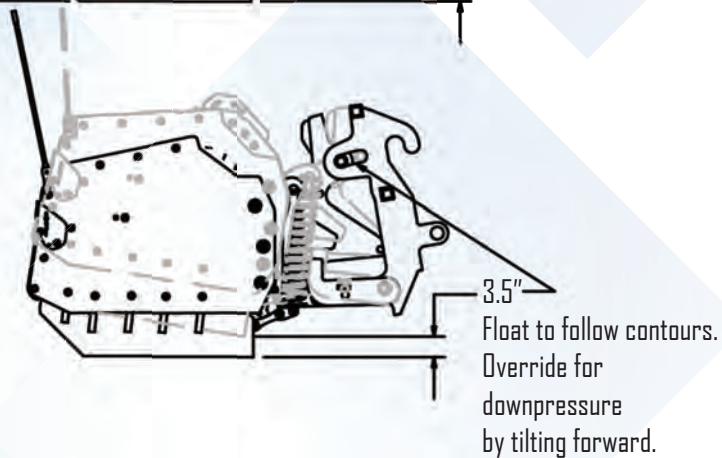
Bucket Clamps



CAT II 3 Point Hitch



Quick Attach  
(select from standard quick attaches available)

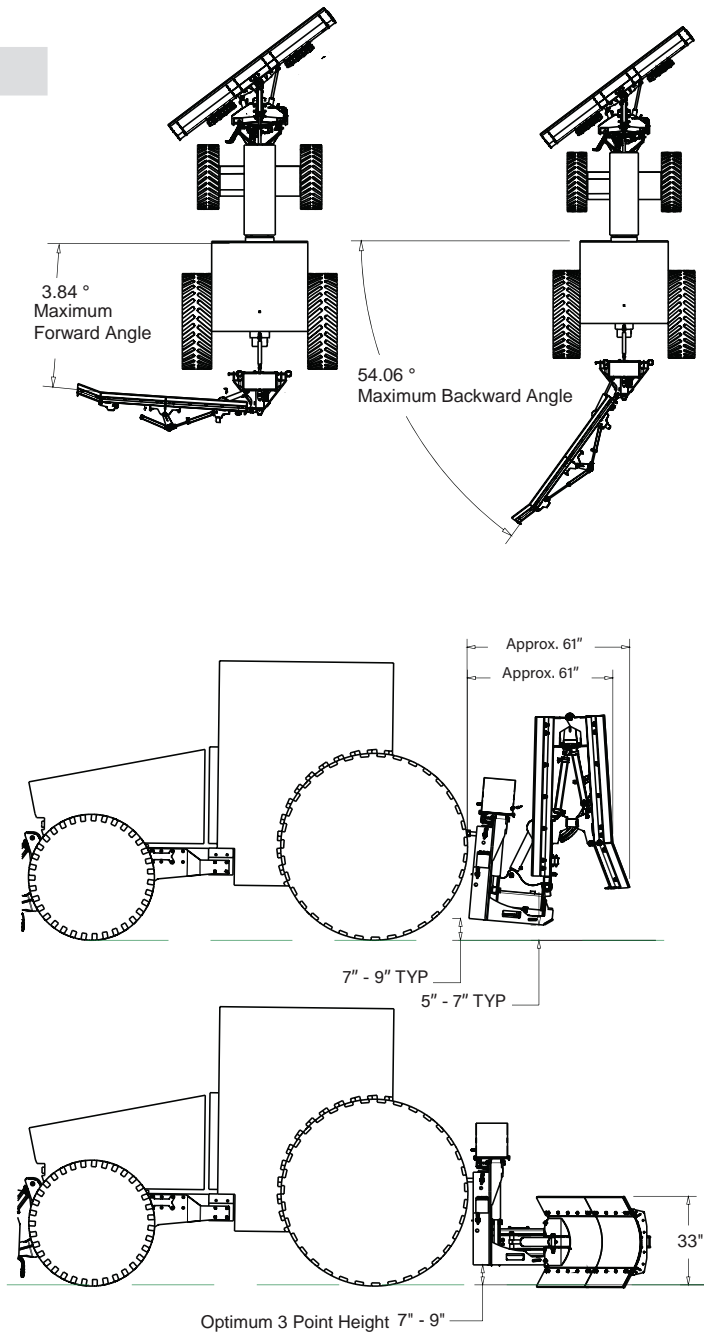
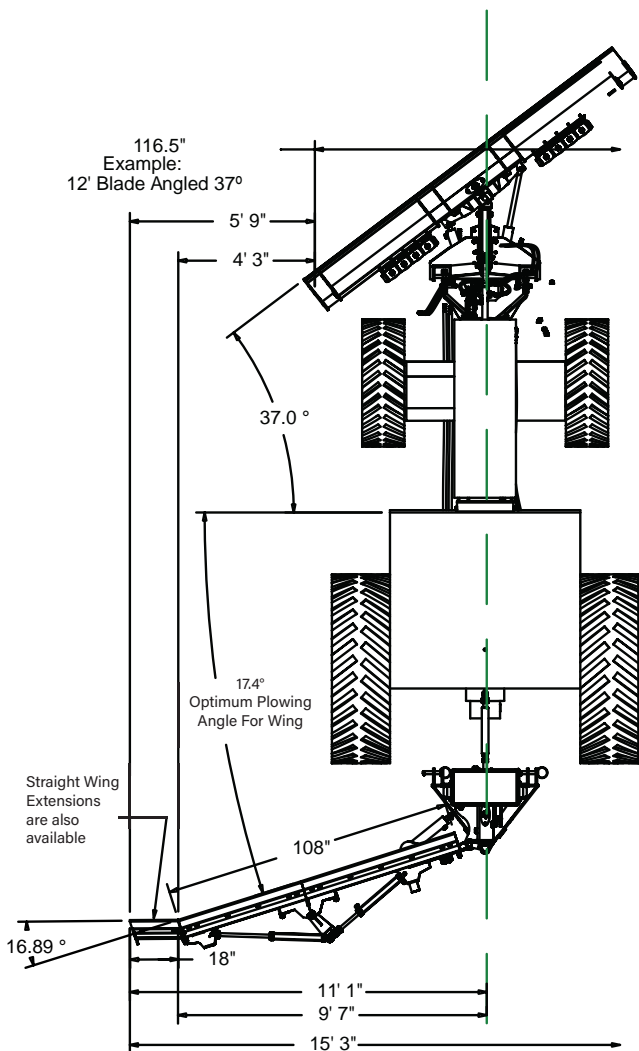




# SHADOWBLADE SPECS

## SNOWBLADE

Specifications	Rear Tractor Snow Plow Recommendations
Weight KMX9 (Standard Assembly) - 1,620 lbs.	1 Rear Auxiliary with constant flow (detent)
Weight Optional 17 Degree Wing Extension - 102 lbs.	Cat II 3-point hitch
Weight Optional Straight Wing Extension - 102 lbs.	Recommended tractor weight no less than 9,500 lbs
Operating Voltage - 12VDC	
Operating Current - <20 amp	
Optional Laser Beam Classification - IIR	
Moldboard Height - 33 ins.	



TO ORDER CALL 651-433-4628, OR GO ONLINE: [KAGEINNOVATION.COM](http://KAGEINNOVATION.COM)

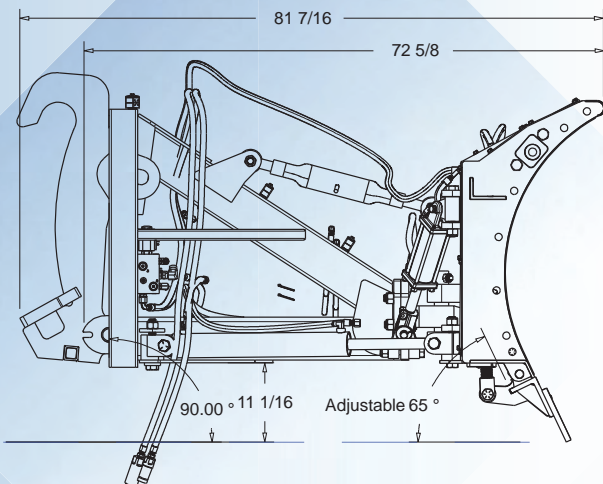
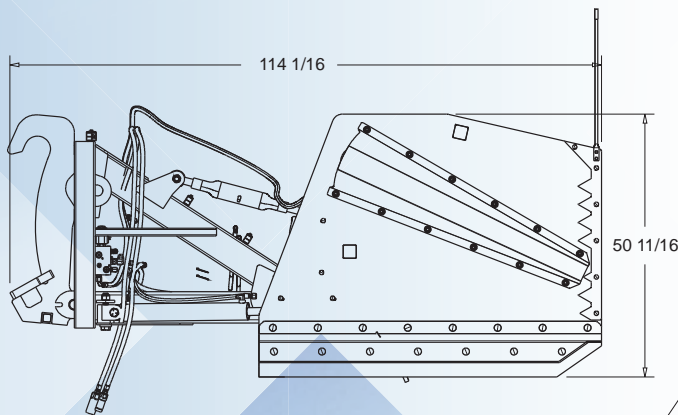
# SNOWDOZER SPECS

The KAGE SnowDozer is designed for large wheel loaders in the 30,000 – 50,000 lb weight range and tractors with 300+ hp. With a 48" tall moldboard this fills a segment in the market that KAGE did not produce a good fit for.

## SNOWDOZER SPECIFICATIONS

	12 FOOT	14 FOOT	16 FOOT	18 FOOT	20 FOOT
ANGLE DEGREES	34	34	34	34	34
BLADE WEIGHT	4933	5016	5575	5658	5741
SYSTEM WEIGHT	7021	7104	7663	7746	7829
BLADE HEIGHT	48"	48"	48"	48"	48"

CUSTOM BUILD TO THE WIDTH OF YOUR CHOICE WITH 36 AND 24 INCH SECTIONS  
12 FOOT UP TO 20 FEET



Angled System widths  
 12 Foot = 165 1/2  
 14 Foot = 185 3/8  
 16 Foot = 205 5/16  
 18 Foot = 225 1/4  
 20 Foot = 245 1/8

Angled Plow widths  
 12 Foot = 130  
 14 Foot = 150 1/16  
 16 Foot = 170  
 18 Foot = 189 7/8  
 20 Foot = 209 3/4

Full Angle 34.00 °

12 Foot = 152 3/4  
 14 Foot = 159 1/2  
 16 Foot = 166 1/8  
 18 Foot = 172 7/8  
 20 Foot = 179 1/2

12 Foot = 155 1/8  
 14 Foot = 179 1/8  
 16 Foot = 203 1/8  
 18 Foot = 227 1/8  
 20 Foot = 251 1/8

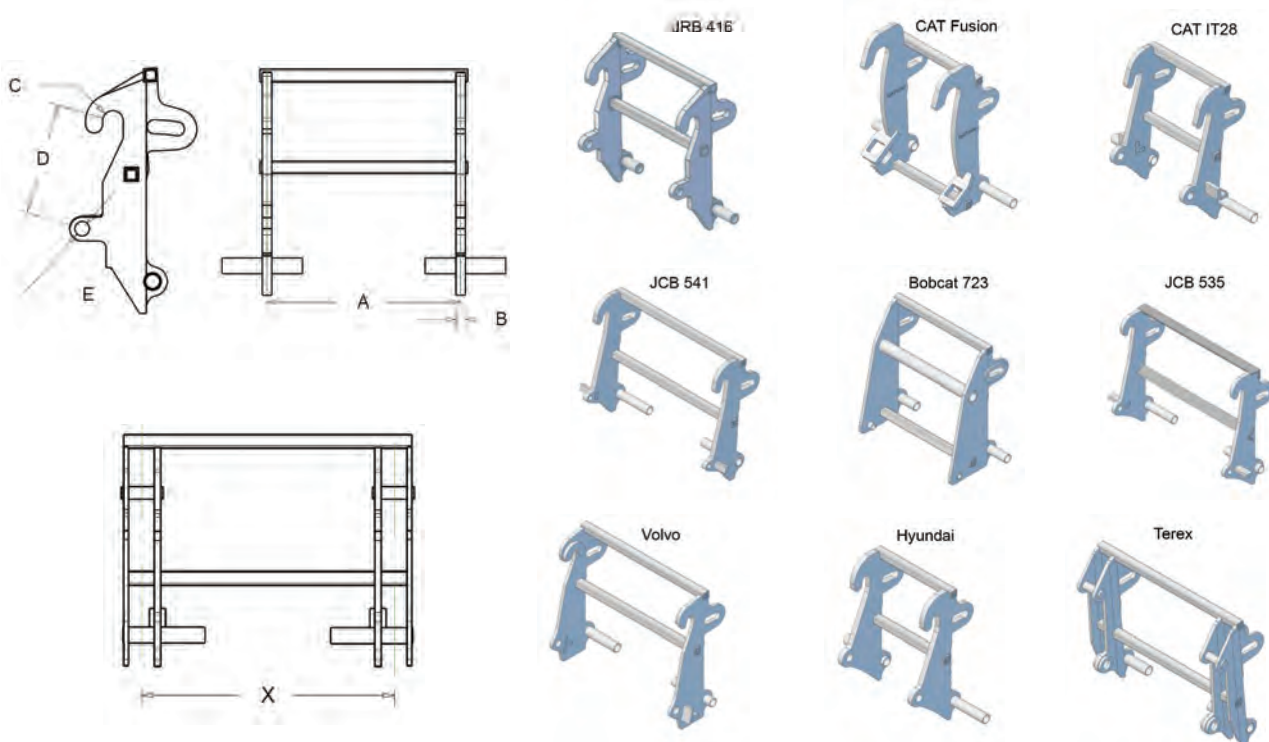
3" Hydraulic cylinders angle the Blade left and right, 34 degrees. The angle function works with and without the SnowKage Box attached, so not only can you windrow or 'plow' snow normally, but you can hog snow at an angle. This is especially helpful when you are swooping into corners, or clearing entrance loops.



# SNOWDOZER QUICK ATTACH SPECS

## SNOWDOZER QUICK ATTACH DIMENSIONS

Quick Attach	KAGE Part #	A (in inches)	B (in inches)	C (in inches)	D (in inches)	E (in inches)	X (in inches)	Non Stocked Additional Cost
JRB 416	JRB-416	30.628	1.500	3.001	16.281	2.126		
CAT Fusion	CATFUSION	22.875	1.500	5.000	24.625	3.376		
CAT IT28	CATIT28F-K	22.250	1.500	2.520	19.937	2.062		
Volvo	356-1	39.360	1.000	2.420	24.260	2.000		
Hyundai	HL740TM	22.287	1.500	2.461	19.770	1.992		
Terex	TERSKI863	34.250	4.000	1.969	19.860	2.362	39.250	
JCB 541	JCB541SS	42.484	1.500	2.266	23.687	1.265		
Bobcat 723	BBTC-723	31.250	1.000	3.250	22.437	1.275		
JCB 535	535-200	40.625	1.250	2.437	23.625	1.500		
JRB 418	JRB-418	32.750	1.500	3.030	20.670	2.060		Yes
CAT IT38	CATIT-38	36.250	1.500	3.090	22.790	2.060		Yes
Hi Viz	544HV	39.120	1.500	2.440	24.280	2.064		Yes
ACS 1000/2000	QA90006150							Yes

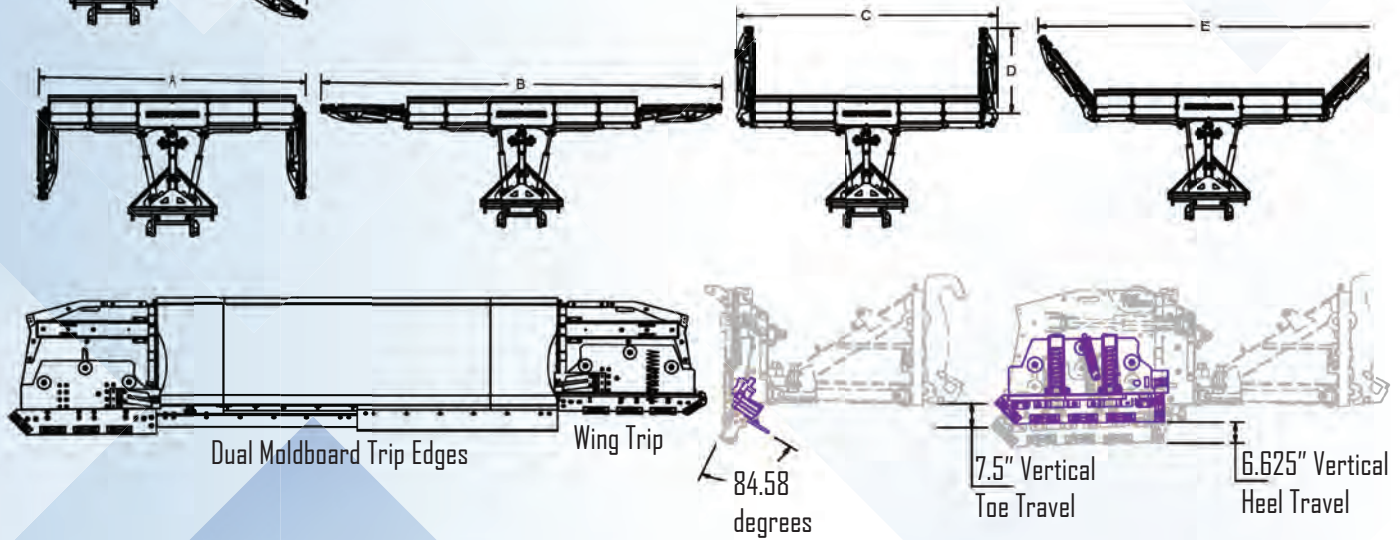


# SNOWDOZER WING SPECS



Approximate Dimensions For Reference Only - Weight Range Depends on Cutting Edge & Attachment Type

Width Range	A Inches	B Inches	C Inches	D Inches	E Inches	F Inches	G Inches	H Weight
12'-20'	155	240	164	53	218	193	137	4,611-5,850
14'-22'	179	264	188	53	242	215	159	4,771-5,880
16'-24'	203	286	212	53	266	236	180	5,165-6,360
18'-26'	227	310	336	53	290	257	201	5,315-6,390
12'-22'	155	264	360	65	226	208	137	4,911-5,950
14'-24'	179	286	384	65	250	230	159	5,071-6,180
16'-26'	203	310	408	65	274	250	180	5,465-6,660
18'-28'	227	334	432	65	298	272	201	5,815-6,690
1200 Tractor Under-Hitch								1,400



**Wing Mode**

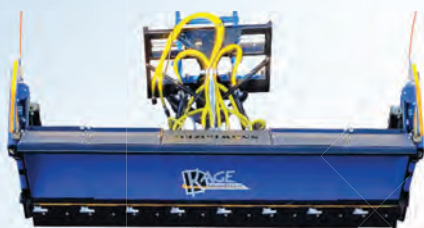
**Wide Mode**



**Backdrag Mode**



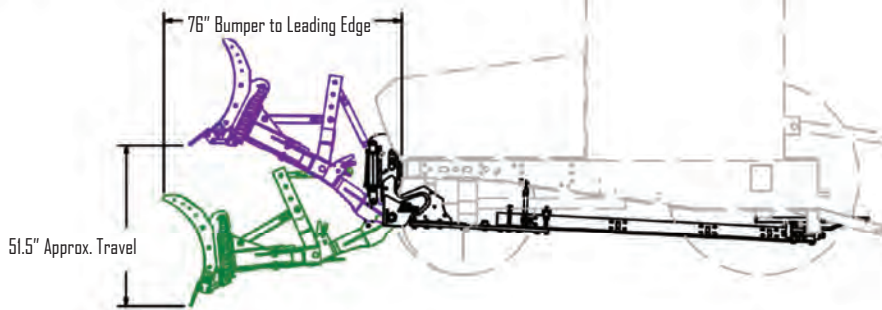
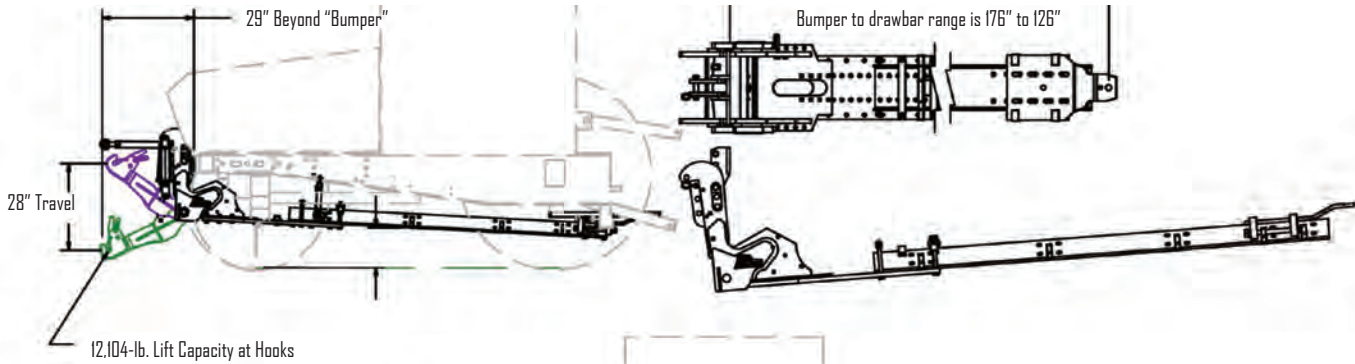
**Box Mode**



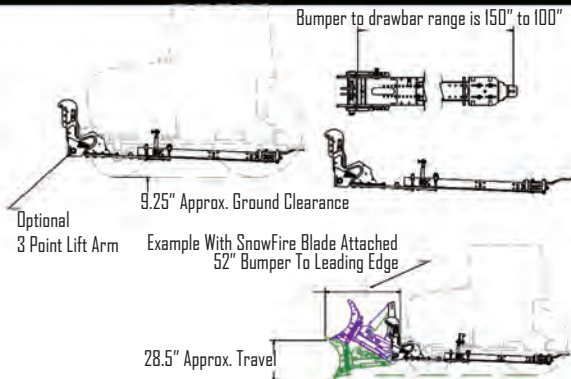


# UNDER HITCH SPECS

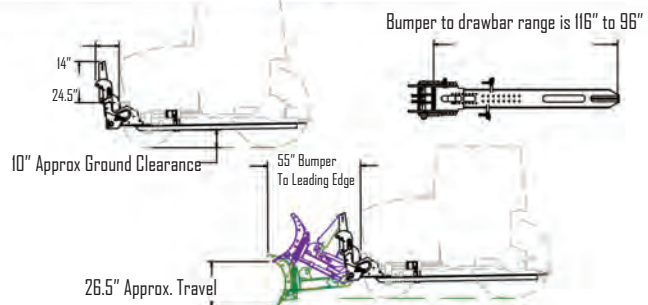
## 1200



## 8000



## 8000LD



Size Grouping	Weight LBS	Recommended Plow Compatibility	Description	P/N
1200	1,400	SnowStorm OR SnowDozer with 3 Point Hitch	Undercarriage kit with hoses and hardware for tractors where the distance from the bumper to the drawbar hitchpin is between 146" and 126". Choose tractor model from the interchange codes.	3PH12000-{Select Tractor Code}
8000	1,050	SnowFire with Direct Attach pivot frame, OR 3 Point pivot frame	Undercarriage kit with hoses and hardware for tractors where the distance from the bumper to the drawbar hitchpin is between 125" and 95". Choose tractor model from the interchange codes.	3PH8000-{Select Tractor Code}
8000LD	973	SnowFire with Direct Attach pivot frame	Undercarriage kit with hoses and hardware for tractors where the distance from the bumper to the drawbar hitchpin is between 116" and 96". Choose tractor model from the interchange codes.	3PH8000LD-{Select Tractor Code}

TO ORDER CALL 651-433-4628, OR GO ONLINE: [KAGEINNOVATION.COM](http://KAGEINNOVATION.COM)

# KAGEKLAWZ SPECS

## KAGEKLAWZ APPLICATION GUIDE

STOCK TIRE SIZE				
10 x 16.5 (stock tire is about 30-32" tall)			12 x 16.5 (stock tire is about 33" tall)	
KAGE KLAWZ MODELS				
225 Kit	245 Kit*	255 Kit**	245 Kit	255 Kit*
FENDER INTERFERENCE				
3" Fender Clearance Required		6" Fender Clearance Required	3" Fender Clearance Required	
SPEED ENHANCEMENT				
No Significant Increase	11% Increase (~1.5 mph)	11% Increase (~2.1 mph)	No Significant Increase	11% Increase (~2.1 mph)

\*NOTE: This configuration increases the overall height of the machine by approximately 1.5"

\*\*NOTE: This configuration increases the overall height of the machine by approximately 3"

## KAGEKLAWZ SPECIFICATIONS

SNOW TIRE KIT	Model 225	Model 245*	Model 255	Model 255 LG**
Size	225/70R19.5	245/70R19.5	255/70R22.5	255/70R22.5
Ply Rating / Load Range	12	14	16	16
Capacity Per Set of 4	14,560 lbs.	18,160 lbs.	22,040 lbs.	22,040 lbs.
Pilot Hole Diameter	6"	6"	6"	9" - Bobcat Specific
Bolt Pattern	8 x 8"	8 x 8"	8 x 8"	8 x 10.25"
Wheel Size	19.5 x 6.75	19.5 x 6.75	22.5 x 8.25	22.5 x 8.25
Tire Height	32.4	33.4	36.6	36.6
Overall Tire Width	8.8	9.6	9.8	9.8
Offset	POS 1.25"	POS 1.25"	NEG 1.5"	ZERO
Tread Width	7.1	7.5	7.8	7.8
Product Number	225KIT	245KIT	255KIT	255LGKIT

### KAGE KLAWZ 225



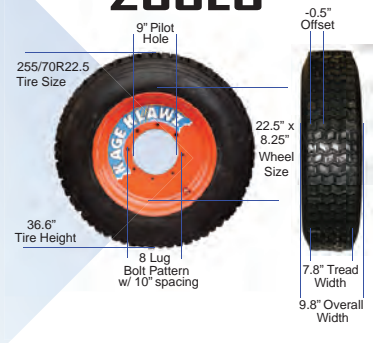
### KAGE KLAWZ 245



### KAGE KLAWZ 255



### KAGE KLAWZ 255LG





# LIQUIDRAGE SPECS

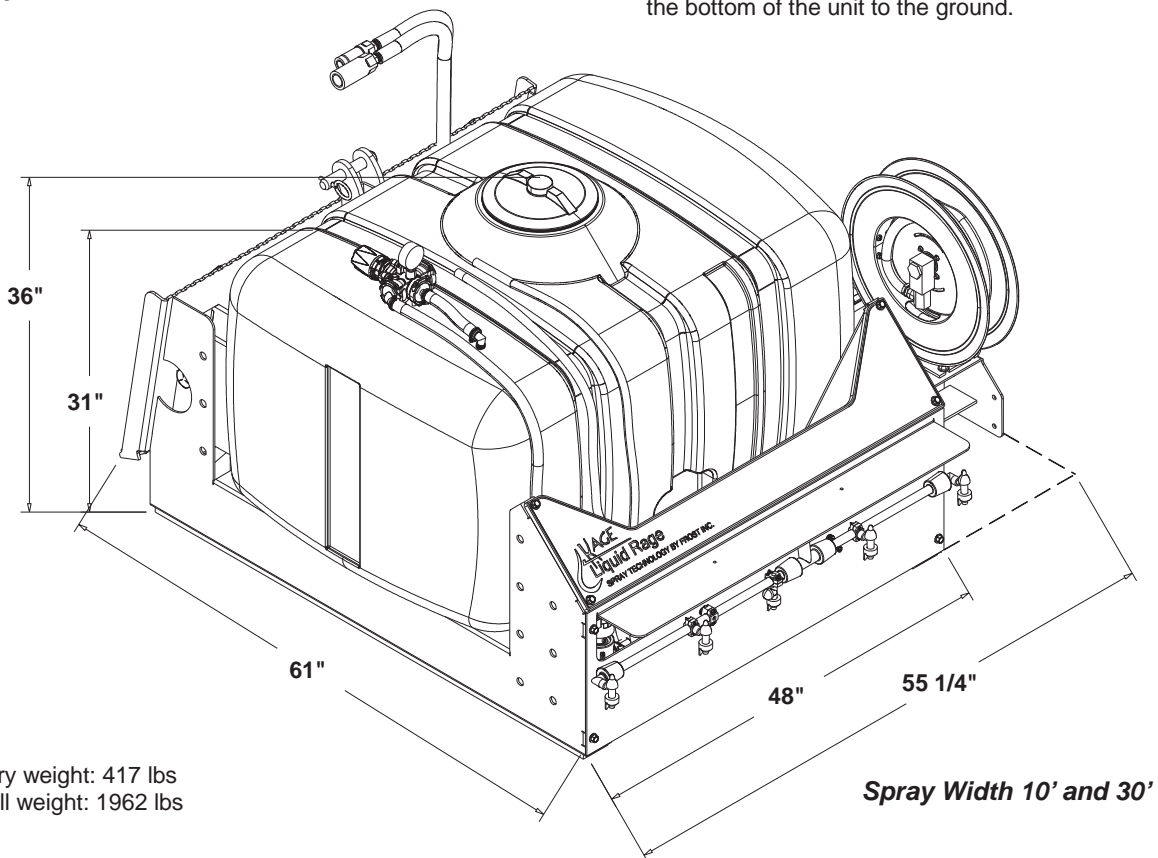
## LIQUIDRAGE

### Specifications

Mounts	Skid Steer/Cat II 3-Point
Pump	Hydraulic
Internal Debris Filter	Standard
Dump Valve	Standard
Quick Disconnect Hydraulic Couplers	Skid Steer Flat Face Standard
Quick Disconnect Ag Hydraulic Couplers	EXTRA
Nozzle Type	(5) 6 Stream Penetrating Nozzles
Tank Capacity	150 gals.
Pressure Regulator with Gauge	Standard/Manual
Spray Width	Adjustable 5' - 10'
Weight Lbs (loaded/empty)	2067/417

### Liquid Rage Assembly 150 SA150

Operating height should be 4" to 6" from the bottom of the unit to the ground.



Dry weight: 417 lbs  
Fill weight: 1962 lbs

Spray Width 10' and 30'

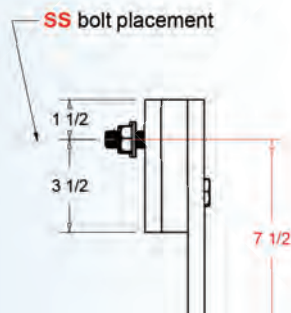
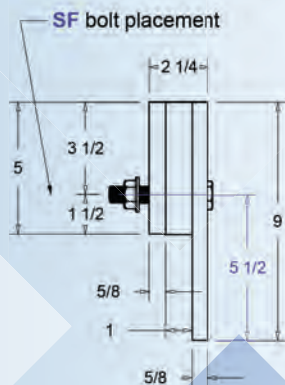
TO ORDER CALL 651-433-4628, OR GO ONLINE: [KAGEINNOVATION.COM](http://KAGEINNOVATION.COM)

# ADVANTEDGE SPECS

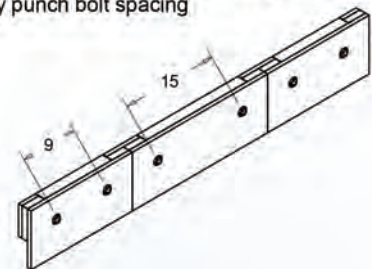
## ADVANTEDGE Weight and Dimensions

Part Name	Part Number	Segment Qty	Cutting Edge Steel	Usable Cutting Edge	Vertical Travel	Max Peaking Angle of Sections	Weight in lbs (Hardox/Carbide)	Attachment Bolt Pattern
SF AdvantEdge 8'	SFAE8/SFAE8-C	2 x 4'	Hardox® 500/Carbide	3"	1.375"	2°	311/412	Highway Punch
SF AdvantEdge 9'	SFAE9/SFAE9-C	3 x 3'	Hardox® 500/Carbide	3"	1.375"	2°	363/445	Highway Punch
SF AdvantEdge 10'	SFAE10/SFAE10-C	2 x 5'	Hardox® 500/Carbide	3"	1.375"	2°	397/470	Highway Punch
SF AdvantEdge 12'	SFAE12/SFAE12-C	4 x 3'	Hardox® 500/Carbide	3"	1.375"	2°	484/570	Highway Punch
SF AdvantEdge 14'	SFAE14/SFAE14-C	2 x 3' + 2 x 4'	Hardox® 500/Carbide	3"	1.375"	2°	554/654	Highway Punch

Below are the bolt patterns of the plate that will attach to your plow. The horizontal spacing is known as "standard highway punch". Two height options are available. Choose either SF or SS bolt placement for the AdvantEdge kit.



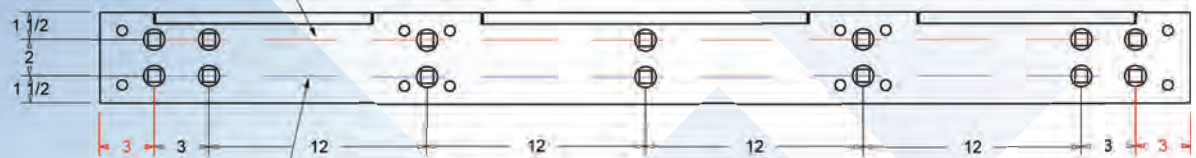
Cutting Edge bolt patterns are NOT standard highway punch bolt spacing



Other bolt patterns may be available, call Kage for assistance.

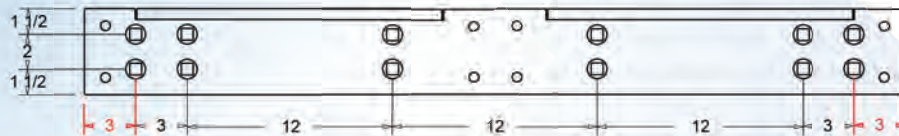
SS bolt placement

5' Segment

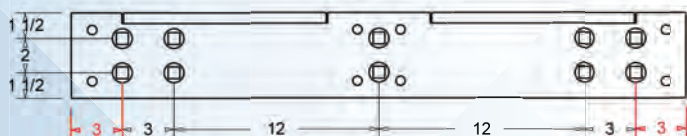


SF bolt placement

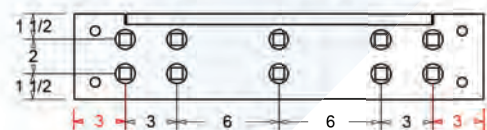
4' Segment



3' Segment



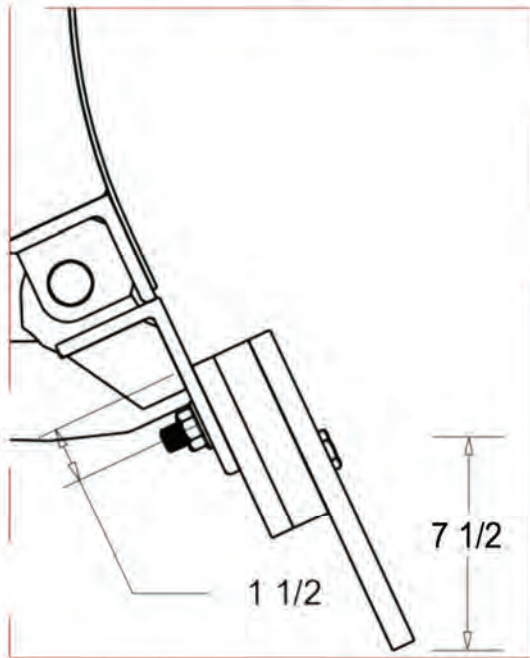
2' Segment (Not Highway Punch)



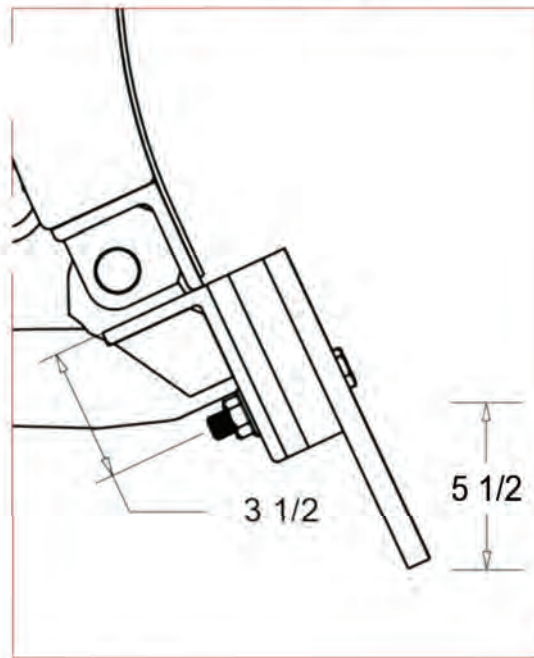


# MOUNTING OPTIONS

SS Mounting Option



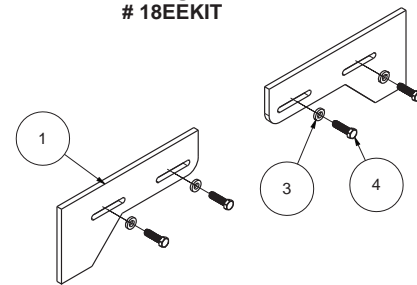
SF Mounting Option



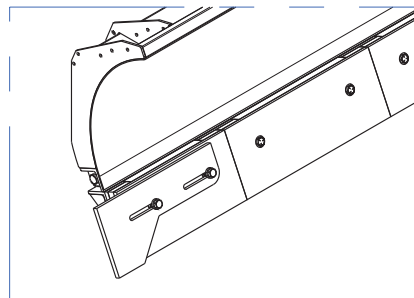
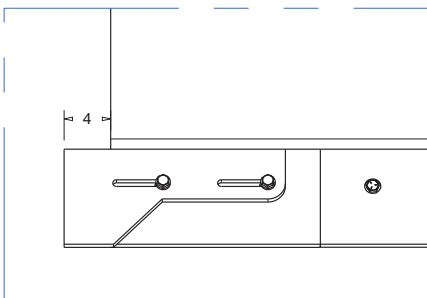
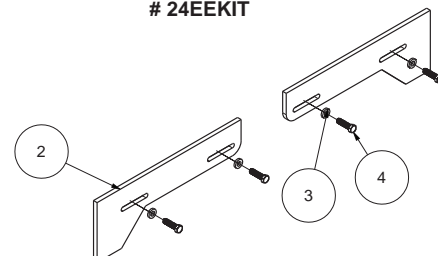
Snow pushers equipped with the Kage AdvantEdge that require additional cutting edge length may be fitted with an extension kit. The kits attach over either an 18" or 24" cutting edge. They can extend the edge length from 0 to 4" closing any gaps between the edge and the pushers sides. Typically this is only required by pushers sized in foot and a half widths.

Item Number	Part Name	Part Number	Revision	Quantity
1	Edge Extension 18	SBCEE18	1	2
2	Edge Extension 24	SBCEE24	1	2
3	Flat Washer 5/ 8 x 1.25 x .25 Thick	912D1A035		4
4	Hex Bolt GR8 5/ 8-II x 2.25	91257A803		4

18 Edge Extension Kit # 18EEKIT



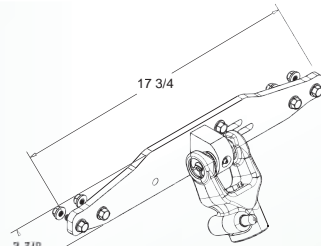
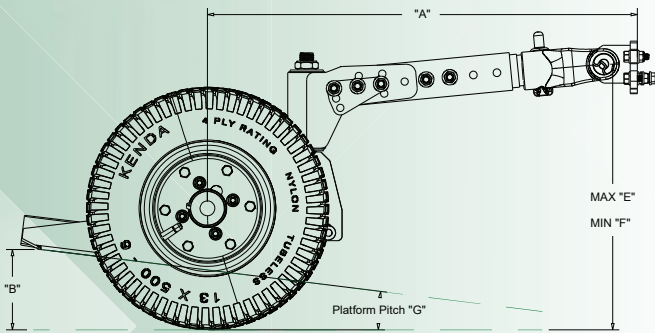
24 Edge Extension Kit # 24EEKIT



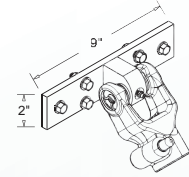
# WHEELKADDY SPECS

## WHEELKADDY FEATURE COMPARISON

	250 Series	500 Series	360 Series
Soft-Ride Suspension		✓	✓
3-Piece Wheels (quick tire change)	✓	✓	✓
360 Degree Pivot Action			✓
Grade 50 Steel Platform	✓	✓	✓
Quick Release Mount	✓	✓	✓
Tapered Roller Bearings	✓	✓	✓
Grease-able P-T-O Pivots	✓	✓	✓
Platform Pitch Adjustment	✓	✓	✓
Standard Tire Diameter	13"	13"	10"

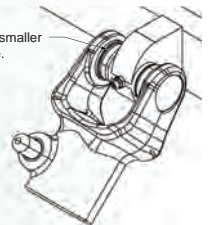


ExMark Mount  
Part # EXMOUNTASSY  
For S-Series (HP) and X-Series Exmark®

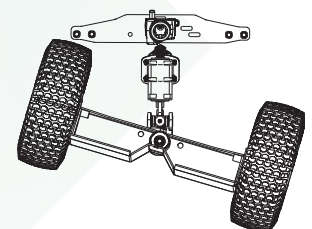
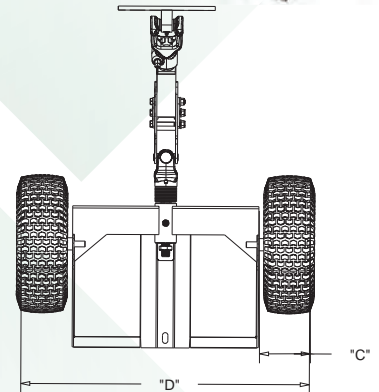


Universal Series Mount  
Part # Universal  
For any Brand / Model of walk-behind  
Requires holes to be drilled

Previous mount styles have a smaller yoke with circlips on the inside. Order with care.



WHEELKADDY SERIES	250 SPECS	500 SPECS	360 SPECS
Tire Size Option	13" Tires (13x5.00-6)	13" Tires (13x5.00-6)	10" Tires (410/350-4)
DIM "A" (Length Adj.)	Adjustable 20" - 26"	Adjustable 20" - 26"	Adjustable 21" - 25"
DIM "B" In. (Platform Height)	3"	3"	1 3/4"
DIM "C" (Tire Width)	4 1/2"	4 1/2"	3 7/8"
DIM "D" (OA Platform Width)	26 3/4"	26 3/4"	26 1/4"
DIM "E" (Max Mount Height)	15 3/8"	15 3/8"	13 1/2"
DIM "F" (Min Mount Height)	9 3/8"	9 3/8"	12"
DIM "G" (Pitch Adj.)	N/A	N/A	Adjustable +/- 3° from Level
Weight Lbs.	48	48	46.8
Bearing Type	Tapered Roller Bearing	Tapered Roller Bearing	Tapered Roller Bearing
Oscillation	Yes	Yes	Yes
Tubed	Yes	Yes	Yes
360 Degree Pivot	N/A	N/A	Yes
Suspension	N/A	Yes	Yes





# LIQUIDRAGE SUMMER USE



The LiquidRage features the patented hitch design which allows for easy adaptation between skid steer or tractor carriers. No adapter plate required. In fact, you can change from a skid steer to a tractor in less than 8 minutes! By installing the summer kit, you instantly convert your LiquidRage into the perfect broadleaf or other IPM application tool!

For dust suppression, weed control, etc.

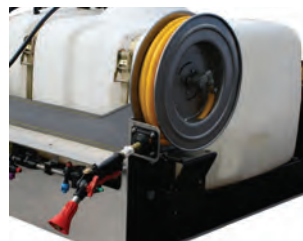
## LIQUIDRAGE

Description	PartID
Liquid Rage Sprayer Assembly	SSA150
Broadcast Nozzle Kit	BNK10
Hose Reel Kit	HRK50



## BROADCAST NOZZLES

Broadcast nozzles are an essential part of summer application because they include fan nozzels that evenly disperse the liquid.



## HOSE REEL

By installing the hand hose reel kit, you add the ability to apply both summer and winter designed product to a precise location, up to 50' away from where the tractor is parked with the LiquidRage.

## KEY FEATURES

- A boomless sprayer can reach weeds without the hitting obstacles.
- Turn on or off the side broadcast nozzles on the fly – from the cab with your electric switches.
- Clamp-on switches at the end of the wire harness makes it easy to put take the LiquidRage on / off the tractor / skid loader.
- Easy to change from summer broadcast application, and back to winter. Simple nozzle change is done in minutes.
- Can be carried by your compact tractor, skid steer, compact skid steer, UTV (with hydraulic power), and more!
- Agitate function allows for recirculation and mixing.
- Hose Reel can be mounted in several places, inside the foot-print (most protected), or outside (for easy access).
- Wet bar can be easily relocated for applications that require the tank to be elevated or installed inside the bed of a UTV (for example).
- Hydraulic pump makes for lots of carrier adaptations (not reliant on tractor PTO, or wimpy 12V electric pumps).

TO ORDER CALL 651-433-4628, OR GO ONLINE: [KAGEINNOVATION.COM](http://KAGEINNOVATION.COM)

# KAGE KATCHER SPECS

## Weight

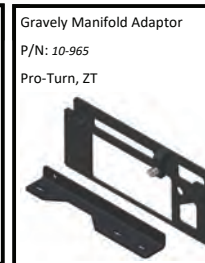
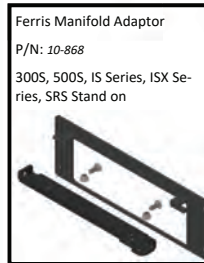
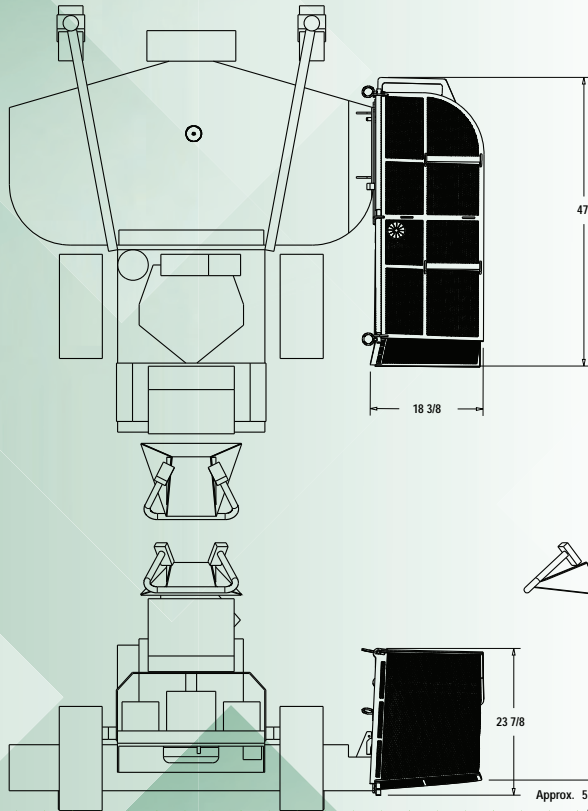
Steel - 79 lbs  
Aluminum - 39 lbs

## Capacity

5.8 cf

## Dimensions

47x19x24 Inches



## Compatible With



Zero Turn Mowers



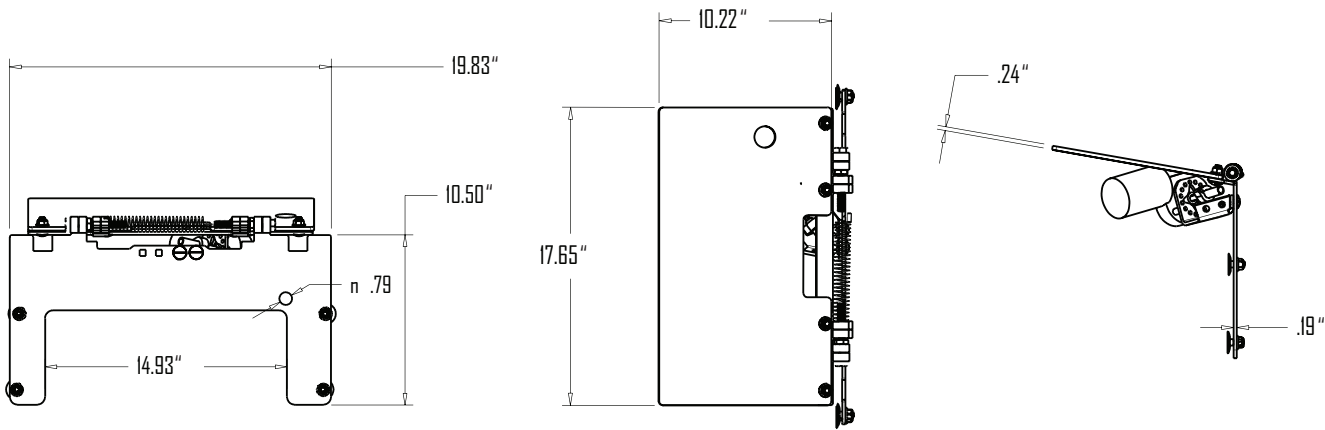
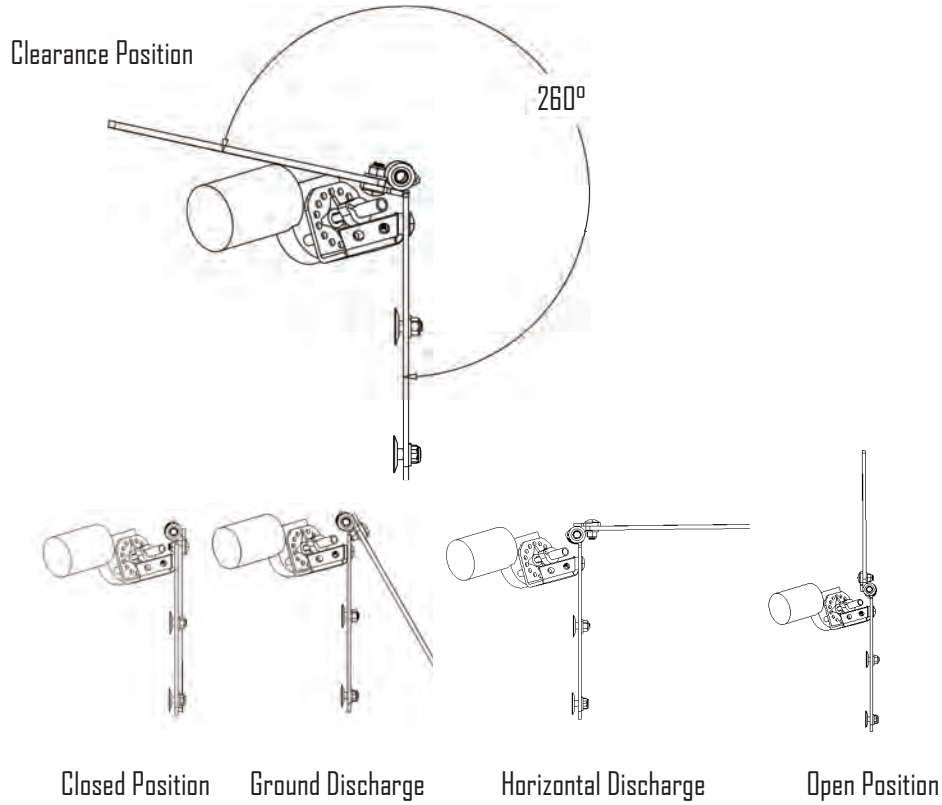
Stand On Mowers



Walk Behind Mowers



# GRASS DEFLECTOR SPECS

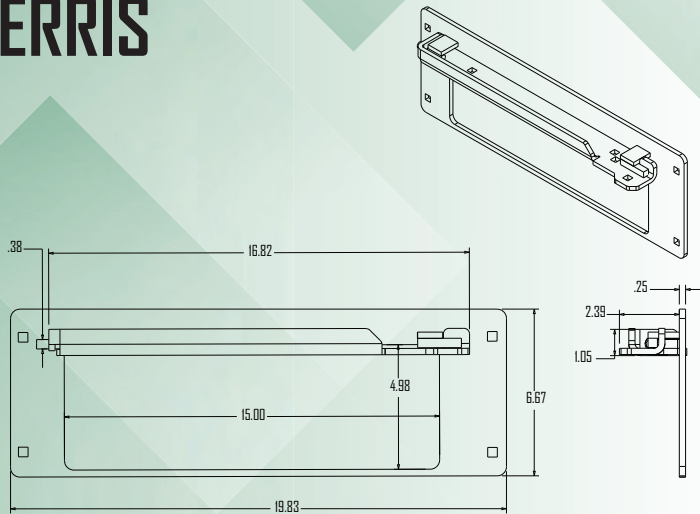


Available Mowers	Weight	Motor RPM	Flap Rotation
See available intake manifold sheet Pages 61 & 63	20lbs	50	Can hold up to 260 degrees back depending on the mower

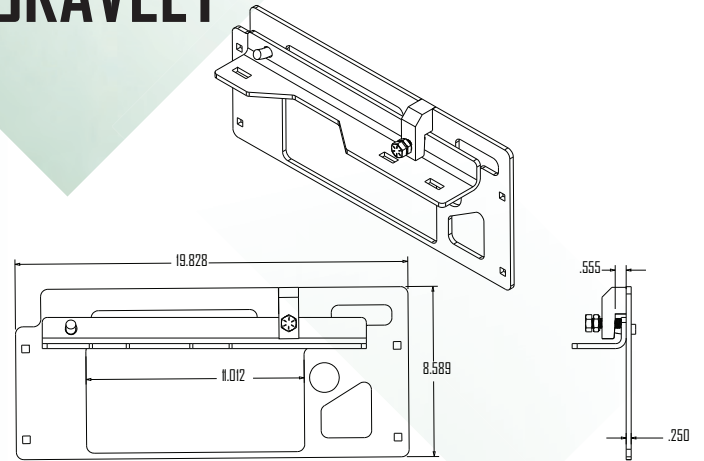
TO ORDER CALL 651-433-4628, OR GO ONLINE: [KAGEINNOVATION.COM](http://KAGEINNOVATION.COM)

# MOWER INTAKE MANIFOLDS

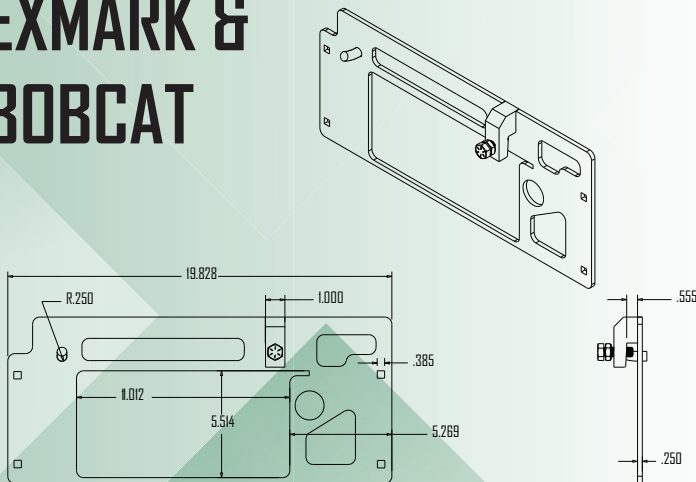
## FERRIS



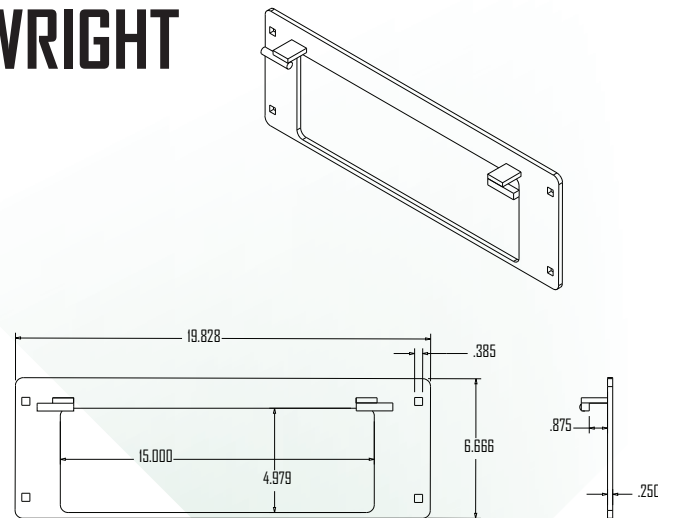
## GRAVELY



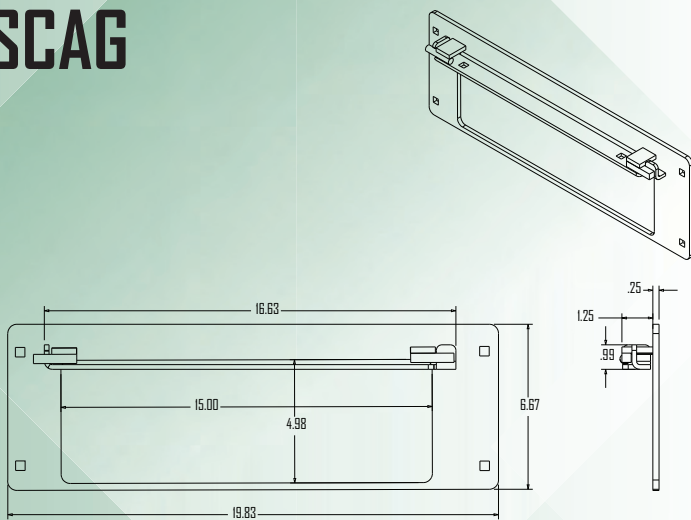
## EXMARK & BOBCAT



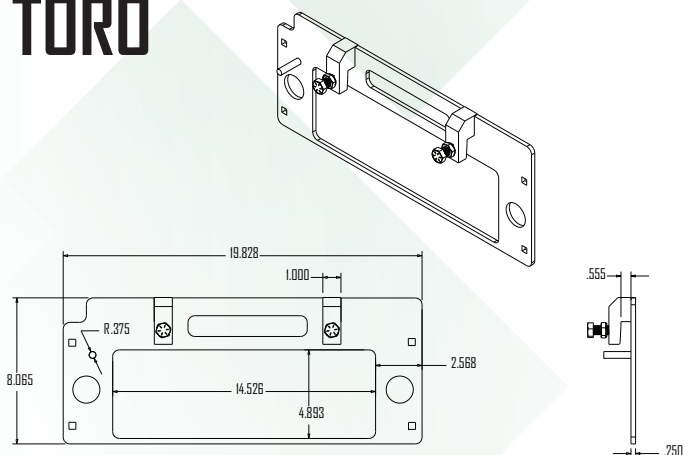
## WRIGHT



## SCAG



## TORO





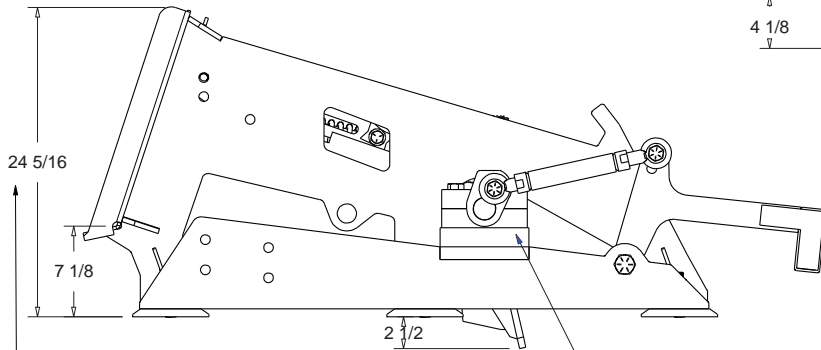
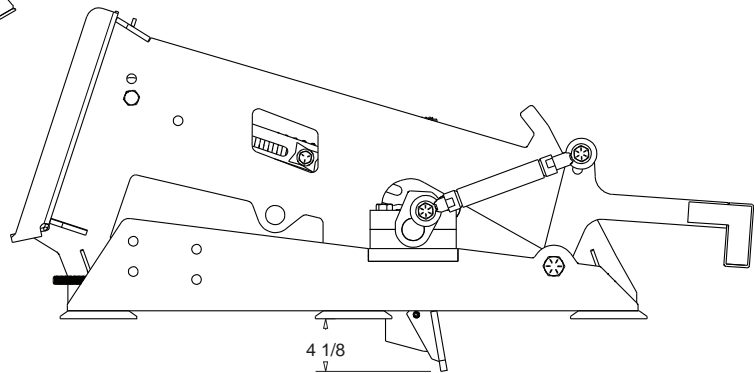
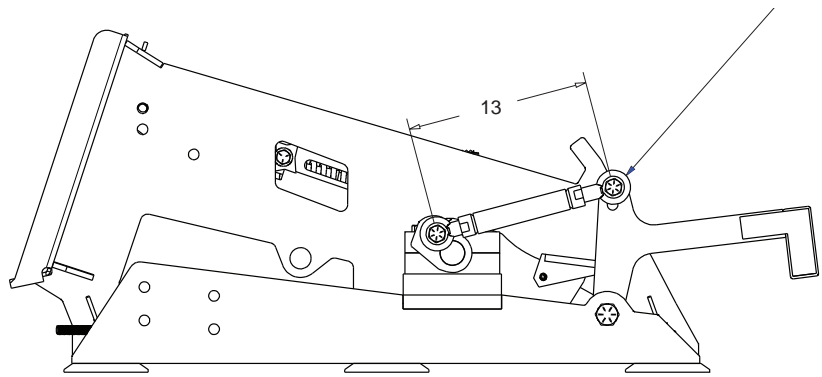
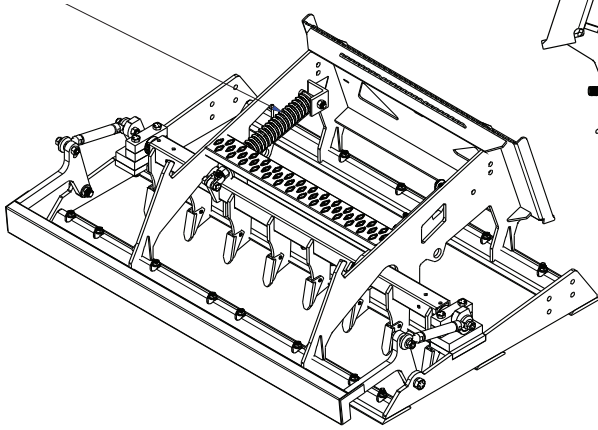
# GreatER BAR SPECS

## MODELS

Model / Option #	Description
GBT 72	GreatER Bar w/ Quick Rip 72"
GBT84	GreatER Bar w/ Quick Rip 84"
GBT48	GreatER Bar w/ Quick Rip 48"
GB72	GreatER Bar 72"
GB84	GreatER Bar 84"
GB48	GreatER Bar 48"

Default length for top link is 13". Lengthening or moving to the lower bolt hole will allow teeth deployment with less downward angle. However this will increase the pressure required to activate the teeth. Lighter machines may need to reduce the length of the top link.

Spring tubes should be visually checked for blockage before each use. Replace blades before wear in mounting angle begins



Note Skid Steer door clearance

Tooth depth can be increased 1-1/2" by removing the plastic spacer.

SNOWFIRE SERIES SPECS  
 SNOWSTORM SERIES SPECS  
 SHADOWBLADE SPECS  
 SNOWDOZER SERIES SPECS  
 UNDER HITCH SERIES SPECS  
 KAGE KLAWZ SPECS  
 LIQUIDRAGE SPECS  
 ADVANTEDGE SPECS  
 KADY WHEEL SPECS  
 KAGE KATCHER SPECS  
 GRASS DEFLECTOR SPECS  
**GREATER BAR SPECS**







MADE IN  
THE USA



## KAGE Innovation, LLC

KAGEInnovation.com | 651-433-4628 | fax 651-344-0887

502 Simmon Drive  
Osceola, WI 54020

### PATENT INFORMATION

SNOWFIRE & SNOWSTORM - Patent #7941947, #7788829, #2574587, #2707963, #7654016

SHADOWBLADE - Patent #8776406, #2838416

ADVANTEDGE - Patent #10889949, #10865533, Other Patents Pending

WINGLINE - Patent #11472331, Other Patents Pending

LIQUIDRAGE - Patent #11131075

GREATER BAR - Patents Pending