

GRASS DEFLECTOR

LAWN MOWER GRASS DEFLECTOR



MOTORIZED GRASS DEFLECTOR

The KAGE Grass Deflector is by far the best grass deflector on the market. Equipped with a fully-adjustable opening that makes it easy for the operator to control the amount of grass clippings, this electric Grass Deflector is unique in its ability to quickly and easily attach/detach from multiple lawnmower models and adjust to nearly any situation.



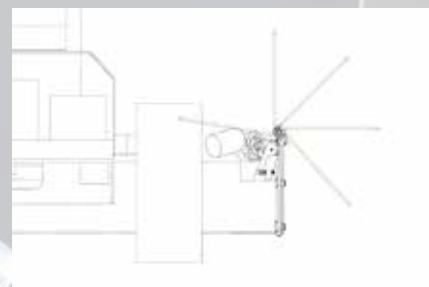
BREAKAWAY TORSION SPRING

Upfitted with a breakaway torsion spring, this deflector protects your investment by allowing the flap to fold down if an object comes in contact with it. When the flap is closed, the spring maintains constant pressure to avoid any spillage. It also makes for smooth operation of the flap.



QUICK-RELEASE WIRE HARNESS

Quickly attach or detach the harness in a matter of seconds with the quick-connect plug. Also use the wire harness for the Kage Katcher grass catcher with no modifications.



UP TO 260-DEGREE PIVOT

The up to 260-degree adjustable deflector flap, allows it to seamlessly fold on top of the mower deck to easily maneuver underneath obstacles. Such as, low-hanging branches.



FULLY-ADJUSTABLE FLAP

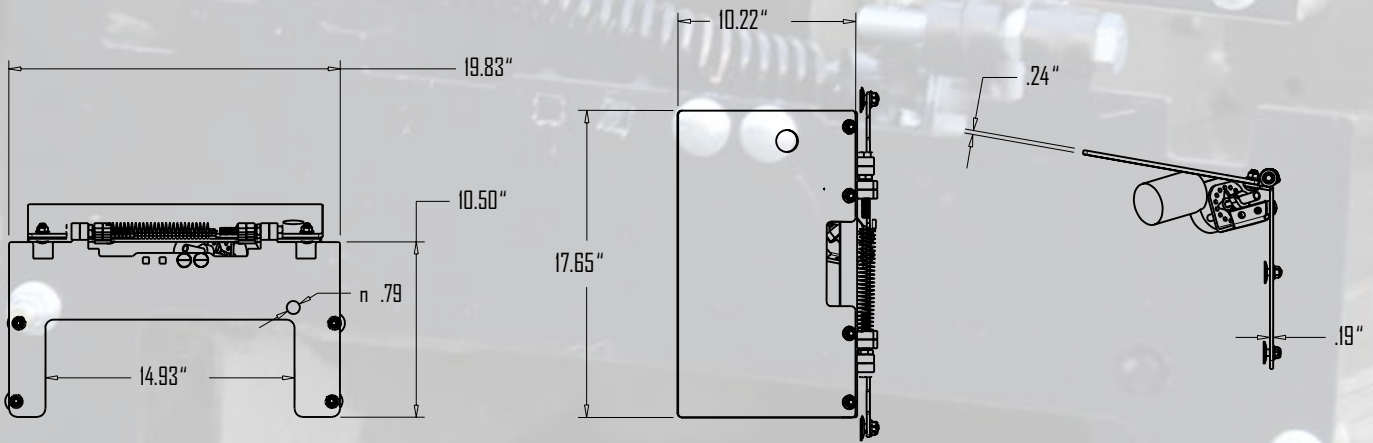
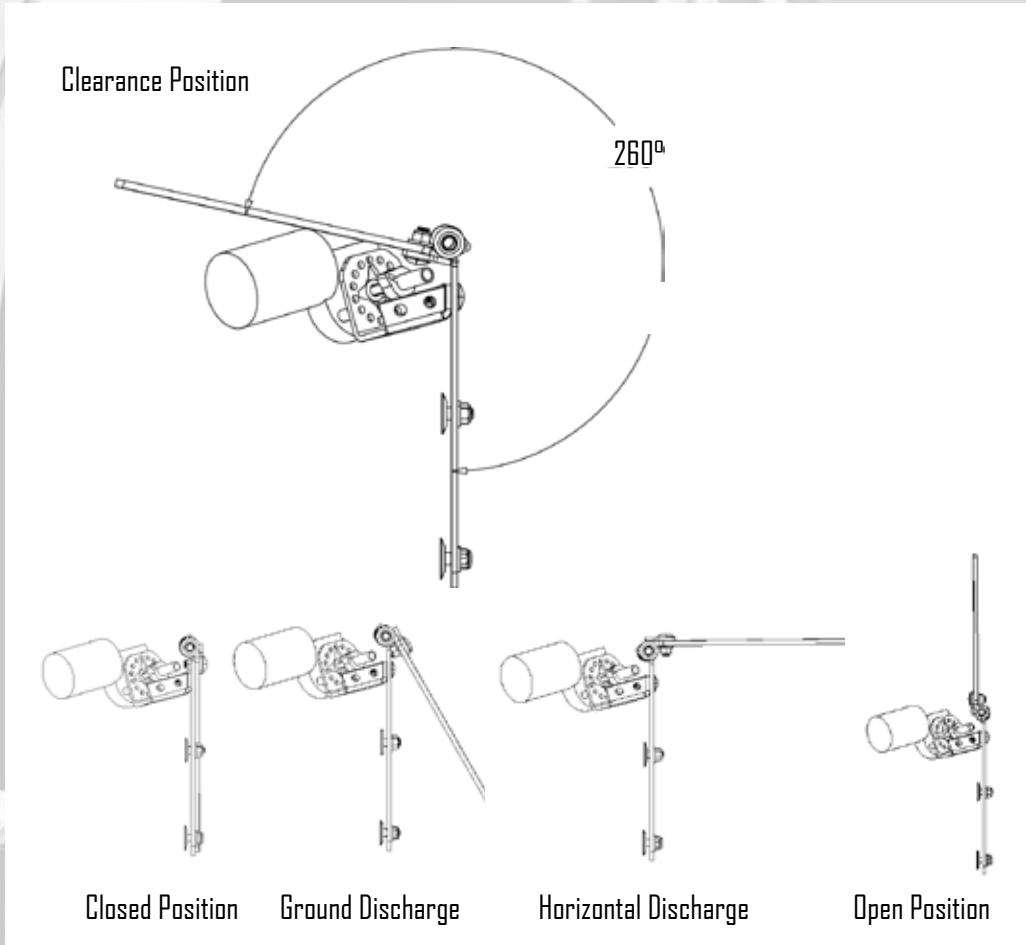
By having a fully-adjustable flap, the operator can adjust the opening of the flap from fully open to closed, and anywhere in between.



ERGONOMIC SWITCH MOUNT

Equipped with a magnetic and easily adjustable switch mount, the KAGE Grass Deflector adjusts on the fly to the operator's preference.

SPECIFICATIONS



Available Mowers	Weight	Motor RPM	Flap Rotation
All mowers with intake manifolds including Ferris, Wright, Gravelly, Toro, Scag, Exmark, Bobcat	20lbs	50	Can hold up to 260 degrees back depending on the mower