



Universal UnderHitch™

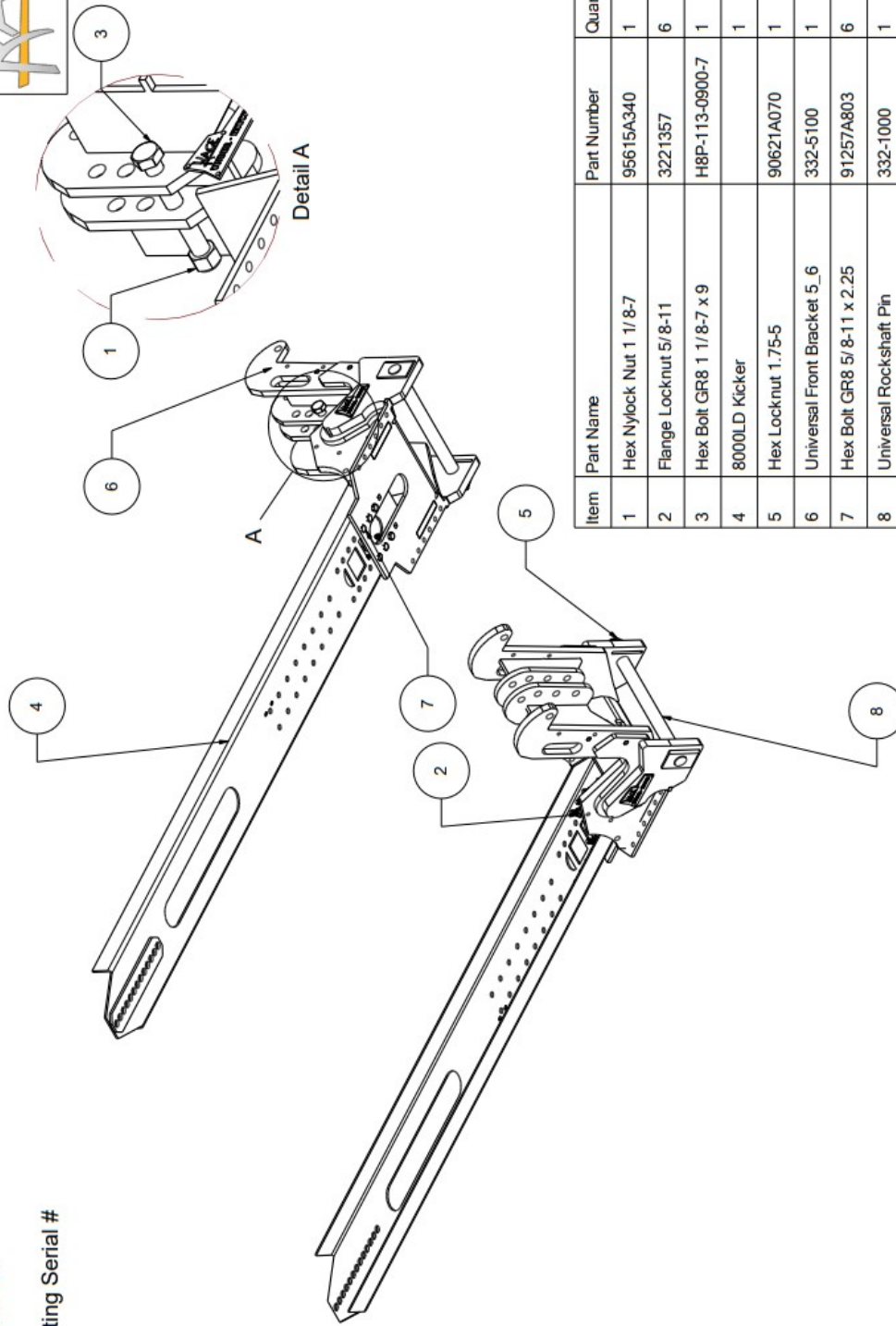
Owner's Manual

REV: 2024.5.30

8000 LD Universal Undercarriage

Version#
332-8000LD

Version Starting Serial #



Item	Part Name	Part Number	Quantity
1	Hex Nylock Nut 1 1/8-7	95615A340	1
2	Flange Locknut 5/8-11	3221357	6
3	Hex Bolt GR8 1 1/8-7 x 9	H8P-113-0900-7	1
4	8000LD Kicker		1
5	Hex Locknut 1.75-5	90621A070	1
6	Universal Front Bracket 5_6	332-5100	1
7	Hex Bolt GR8 5/8-11 x 2.25	91257A803	6
8	Universal Rockshaft Pin	332-1000	1

Copyright Kage Innovation All Rights Reserved www.kageinnovation.com (844) 314-KAGE

WEIGHT LBS 1050

KAGE

8000 Universal Undercarriage
332-8000
 Version#
 Version Starting Serial #

Item	Part Name	Part Number	Quantity
1	Skid Plate 5 6	332-7300	1
2	Hex Nylock Nut 1 1/8-7	95615A340	1
3	Flange Locknut 5/8-11	3221357	8
4	Hex Bolt GR5 3/4-10 x 6.5	91247A860	4
5	Hex Bolt GR8 1 1/8-7 x 9	H8P-113-0900-7	1
6	Hex Bolt GR8 3/4-10 x 2.5	92620A845	6
7	Draw Bar Adjustment Slide	332-5000	1
8	5 6 Series Kicker	332-7000	1
9	Hex Locknut 1 7/5-5	90621A070	1
10	Kicker Clamp	332-4600	2
11	Hex Bolt GR5 3/4-10 x 8	91247A863	4
12	Hex Crimped Locknut 1-8	92501A462	2
13	SAE Flat Washer 1 x 2	90126A038	8
14	Flat Washer 5/8	90126A035	8
15	3/4" Flat Washer	90108A036	10

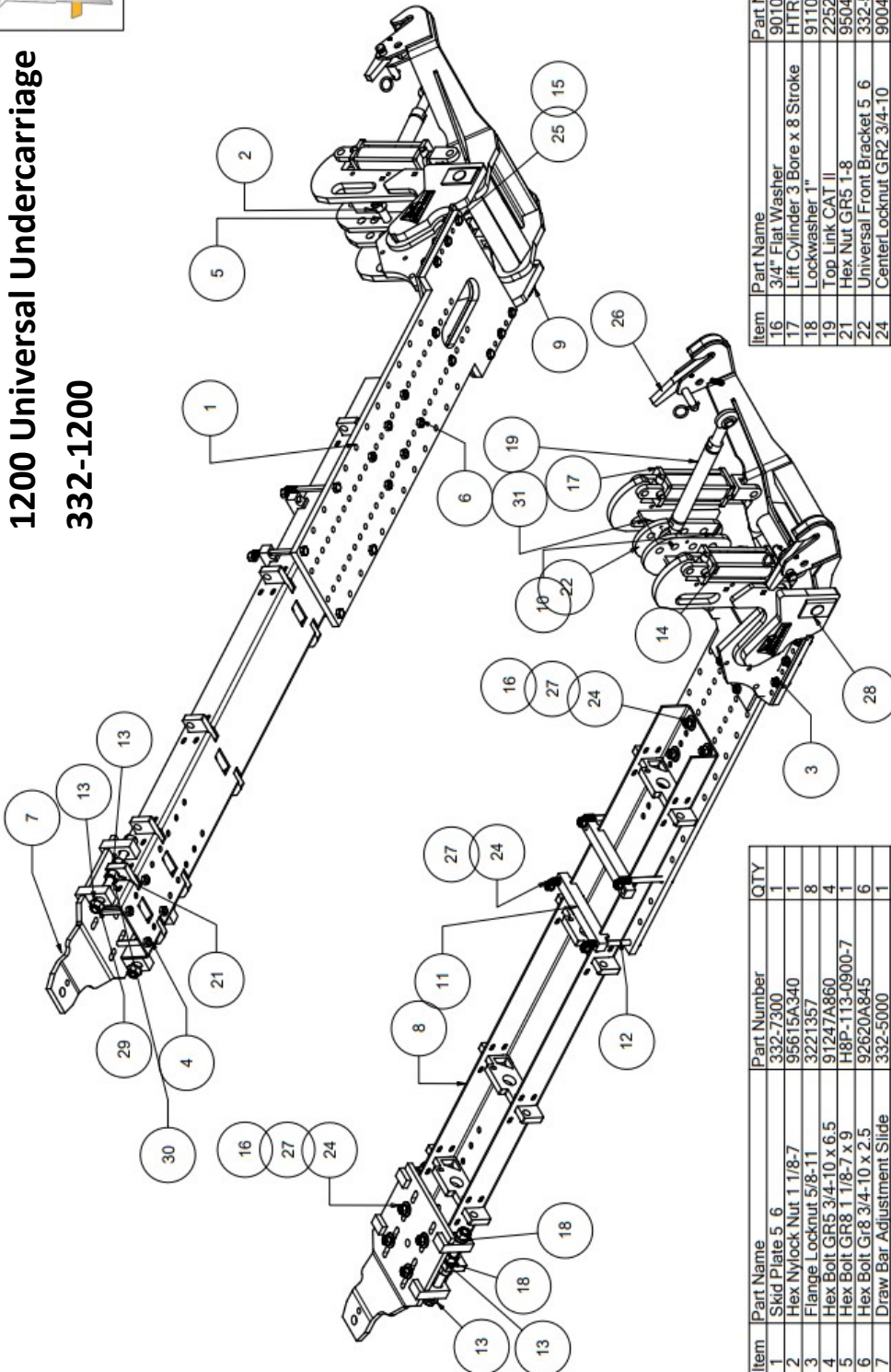
Item	Part Name	Part Number	Quantity
16	Lockwasher 1"	91102A038	4
17	Hex Nut GR5 1-8	95045A038	6
18	Universal Front Bracket 5 6	332-5100	1
19	Hex Bolt GR5 5/8-11 x 2.5	91247A804	1
20	Center Locknut GR2 3/4-10	90040A147-K5	14
21	Hex Bolt GR8 5/8-11 x 2.25	91257A803	7
22	Lockwasher 3/4	91102A036	14
23	Universal Rockshaft Pin	332-1000	1
24	Drawbar Adjustment Rod	332-8677	2

Copyright Kage Innovation All Rights Reserved www.kageinnovation.com (844) 314-KAGE

WEIGHT LBS 1050



1200 Universal Undercarriage 332-1200

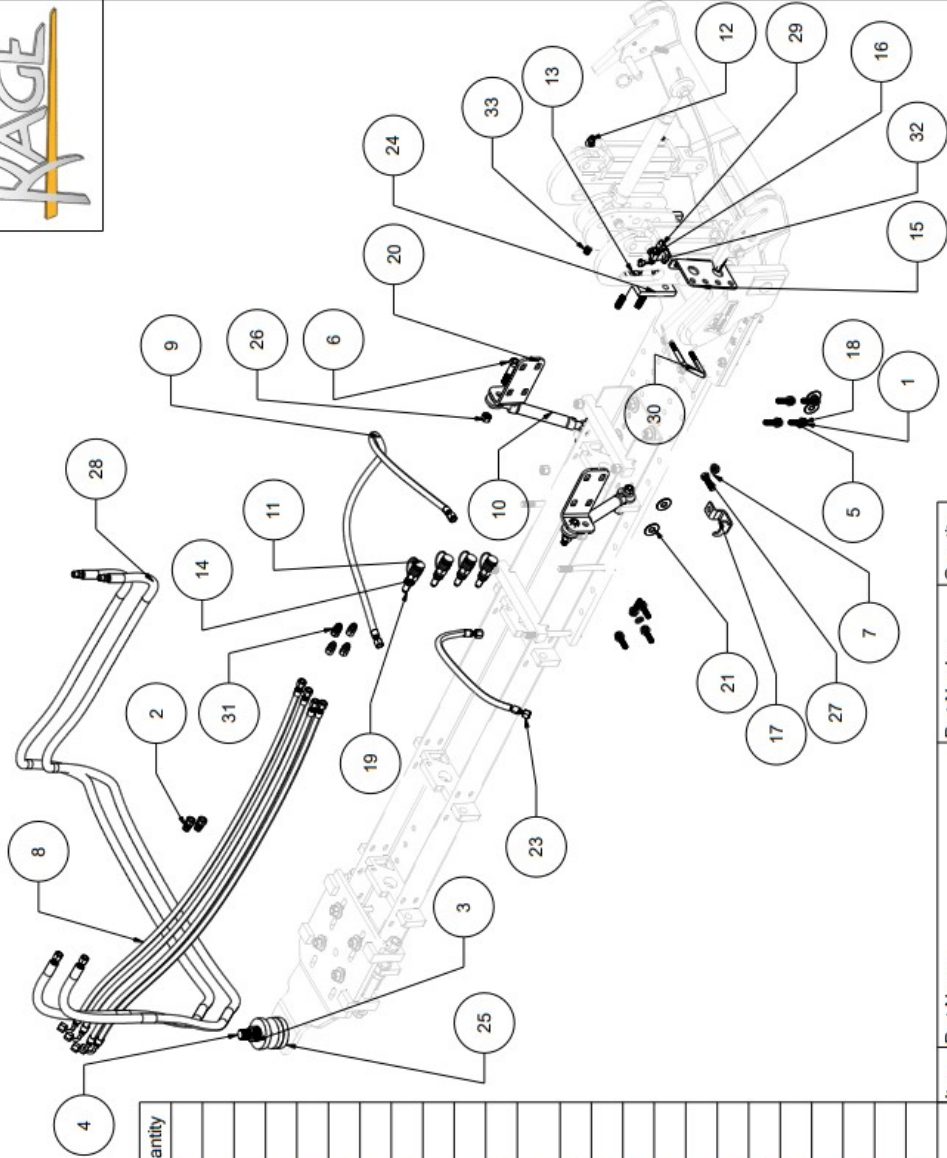


Item	Part Name	Part Number	QTY
1	Skid Plate 5, 6	332-7300	1
2	Hex Nylock Nut 1 1/8-7	95615A340	1
3	Flange Locknut 5/8-11	3221357	8
4	Hex Bolt GR5 3/4-10 x 6.5	91247A860	4
5	Hex Bolt GR8 1 1/8-7 x 9	H8P-113-0900-7	1
6	Hex Bolt GR8 3/4-10 x 2.5	92620A845	6
7	Draw Bar Adjustment Slide	332-5000	1
8	5, 6 Series Kicker	332-7000	1
9	Hex Locknut 1.75-5	90621A070	1
10	Lynch Pin 5/16	90170A226	1
11	Kicker Clamp	332-4600	2
12	Hex Bolt GR5 3/4-10 x 8	91247A863	4
13	SAE Flat Washer 1 x 2	90126A038	6
14	Top Link Pin 5.25	21261	1
15	Flat Washer 5/8	90126A035	8

Item	Part Name	Part Number	QTY
16	3/4" Flat Washer	90108A036	10
17	Lift Cylinder 3 Bore x 8 Stroke	HTR3508-ORB-P	2
18	Lockwasher 1"	91102A038	4
19	Top Link CAT II	22525	1
21	Hex Nut GR5 1-8	95045A038	6
22	Universal Front Bracket 5, 6	332-5100	1
24	Center Locknut GR2 3/4-10	90040A147-K5	14
25	Hex Bolt GR8 5/8-11 x 2.25	91257A803	8
26	Lift Arm Group CAT2	3402-671M	1
27	Lockwasher 3/4	91102A036	14
28	Universal Rockshaft Pin	332-1000	1
29	Hex Nylock 1-8	95615A320	2
30	Drawbar Adjustment Rod	332-8677	2
31	5, 16 Wire-Lock Clevis Pin	97143A630	1

Copyright Kage Innovation All Rights Reserved www.kageinnovation.com (844) 314-KAGE

5125M Universal Hardware Kit 332-5075



Item	Part Name	Part Number	Quantity
1	Lockwasher 16MM	91202A253	8
2	Male Ag Coupler	19-400	2
3	Locknut GR8 1 1/4 - 7	97135A355	1
4	Hex Bolt GR 8 1-1/4 - 12 x 7	91268A335	1
5	Hex Bolt M16 x 2.00 x 55	90447A990	9
6	Hex Bolt GR8 3/4-10 x 3.5	91257A849	4
7	Flange Locknut 5/8-11	3221357	1
8	Hydro Line Mid-Front 5000 Series	HY-507	4
9	Transfer Line	1-640	1
10	Top Link CAT 1	22507	2
11	Coupler Cap	18-004	4
12	Elbow 90 1/2 MJIC x 1/2 MSAE	6801-NWO-08-08	2
13	Lockwasher 20MM	91202A257	4
14	Ag Coupler Female	18-400	4
15	Standard Coupling Bulkhead	38-809	1
16	JIC 08 to O-Ring 08 Branch Tee	6803-08-08-08	2
17	Hose Retainer 4 IN	332-7900	1
18	Flat Washer 16mm	91166A310	8
19	JIC x Pipe Bulkhead	2706-LN-08-08	4
20	Sway Bracket 5125	332-4501	2
21	3/4" Flat Washer	90108A036	4
22	Flange Locknut 1/2 - 13	RF1213OFZ	2
23	Hydro Line Cylinder Bridge	HY-209	1
24	JD Bumper Bracket	332-8100	1
25	Drawbar Spacer	332-5600	3
26	Center Locknut GR2 3/4-10	90040A147-K5	4
27	Hex Bolt GR8 5/8-11 x 2.25	91257A803	1
28	Hydro Line Rear-Front	HY-800	2
29	JIC 90 Elbow 08 x 08	6500-08-08	3
30	1_2 x 4 IN Square U Bolt	3060T28	1
31	ORFS x JIC Straight	FF7504-08-08	5
32	Carrriage Bolt Gr5 1/2-13 x 2	90185A720	2
33	Hex Bolt M20 x 2.5 x 160	91280A899	4

Copyright Kage Innovation All Rights Reserved www.kageinnovation.com (844) 314-KAGE

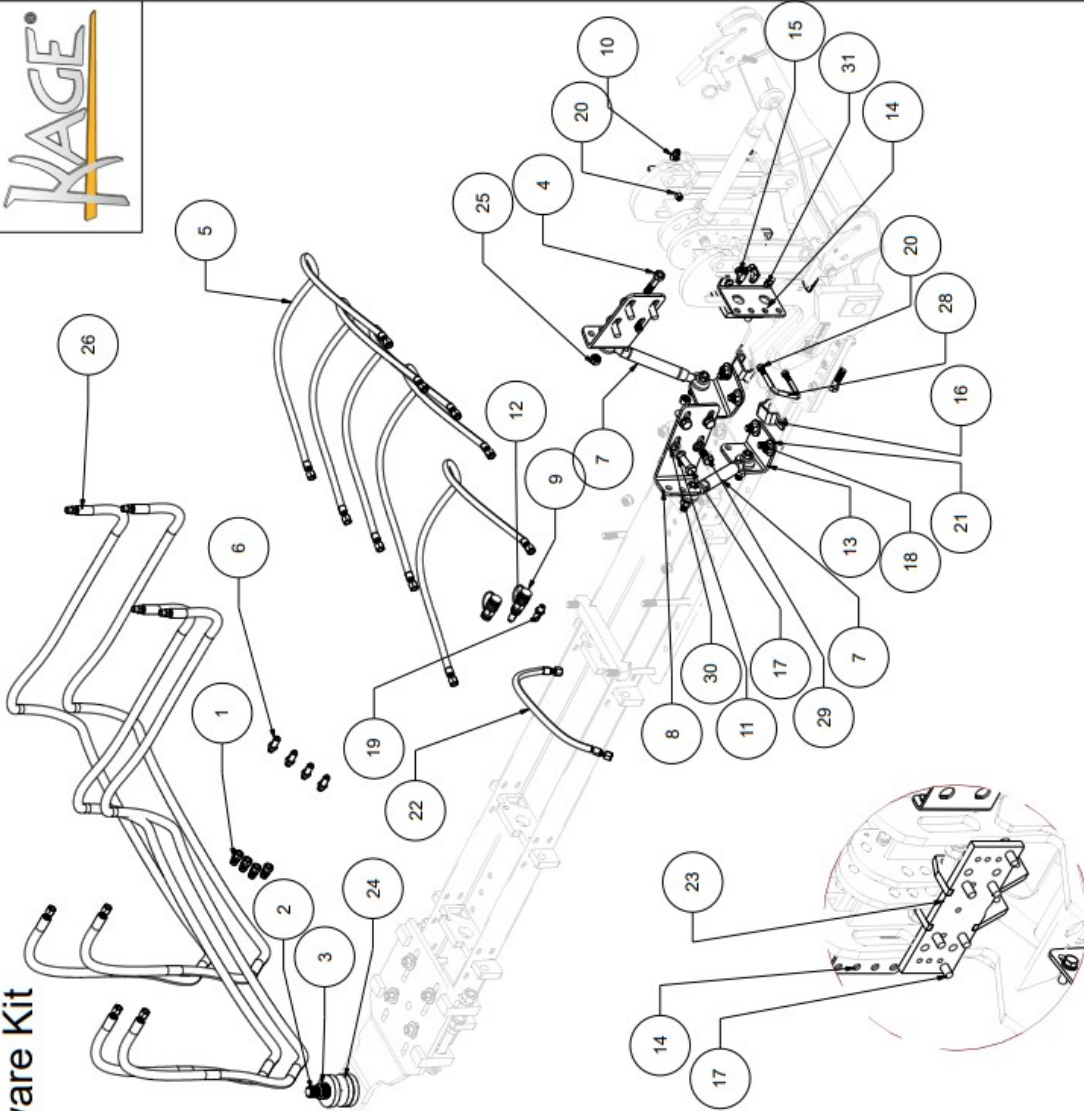
Item	Part Name	Part Number	Quantity	Alibre Part Revision
1	Hydro Line, Pass	HY-707	4	BLANK
2	Male Ag Coupler	19-400	2	BLANK
4	Top Link CAT 1	22507	2	BLANK
6	Hex Bolt GR8 1.8 x 5.5	91257A967	2	1
7	Hex Bolt GR5 3/4-10 x 2	92865A843	4	BLANK
8	Coupler Cap	18-004	6	BLANK
9	Lift cylinder 5416	PMC-5416	1	BLANK
10	Hex Bolt 7 8.9-4.5	91247A890	1	BLANK
11	Locknut 7 8	95615A290	1	BLANK
12	Elbow 90 1/2 M/JIC x 1/2 MSAE	6801-NWO-08-08	2	BLANK
13	Ag Coupler Female	18-400	6	16
14	Standard Coupling Bulkhead	38-809	2	BLANK
15	Washer 7 8	90126A214	1	BLANK
16	1-8 Thin Hex Nylock Nut G5	91342A260	2	BLANK
17	Male JIC 8 x Male NPTF 6	2501-08-06	4	BLANK
18	Hex Bolt GR8 3/4-10 x 5.5	91257A857	1	BLANK
19	Miniature Ag Coupling (Temp Name)		4	

Item	Part Name	Part Number	Quantity	Alibre Part Revision
20	JIC x Pipe Bulkhead	2706-LN-08-08	6	
21	4 Series Lift Plate	800-7641	2	1
22	3/4" Flat Washer	90108A036	2	BLANK
23	Hex Bolt 14mm-1.5-60mm	91180A381	8	BLANK
24	Hex Bolt GR8 3/4-10 x 3.25"	91257A848	2	BLANK
25	Flange Locknut 1/2 - 13	RF1213OFZ	10	BLANK
26	Female JIC 08 x Female NPT 08	6503-08-08	4	BLANK
27	90 Elbow	HY-209	2	BLANK
28	Hydro Line Cylinder Bridge	95505A608	4	BLANK
29	Hex Nut GR5 3/4-10 Plain Steel	90040A147-K5	1	BLANK
30	Center Locknut GR2 3/4-10	95615A270	3	BLANK
31	Hex Nylock Nut GR 5 3/4-10	BP-075-0500	1	BLANK
32	Hydro Line Rear-Front	HY-800	2	BLANK
33	1 2 x 4 IN Square U Bolt	3060T28	3	1
34	Lockwasher 3/4	91102A036	4	BLANK
35	Carriage Bolt GR5 1/2-13 x 2	90185A720	4	1
36	JIC x Pipe Adapter 08x08	2404-08-08	4	Alibre Part Revision
37	Hex Nut GR5 1/2-13	95462A033	6	BLANK
38	Bobcat Sway Bar Bracket	332-4502	3	BLANK
39	Hex Bolt GR5 3/4-10 x 6	92865A859	1	1
40	Bobcat Front Bumper Bracket	332-4700	1	
41	Bobcat Underhitch Front Mount	332-4701	2	

Copyright Kage Innovation. All Rights Reserved. www.kageinnovation.com (844) 314-KAGE



Case MXM155 Universal Hardware Kit 332-0155



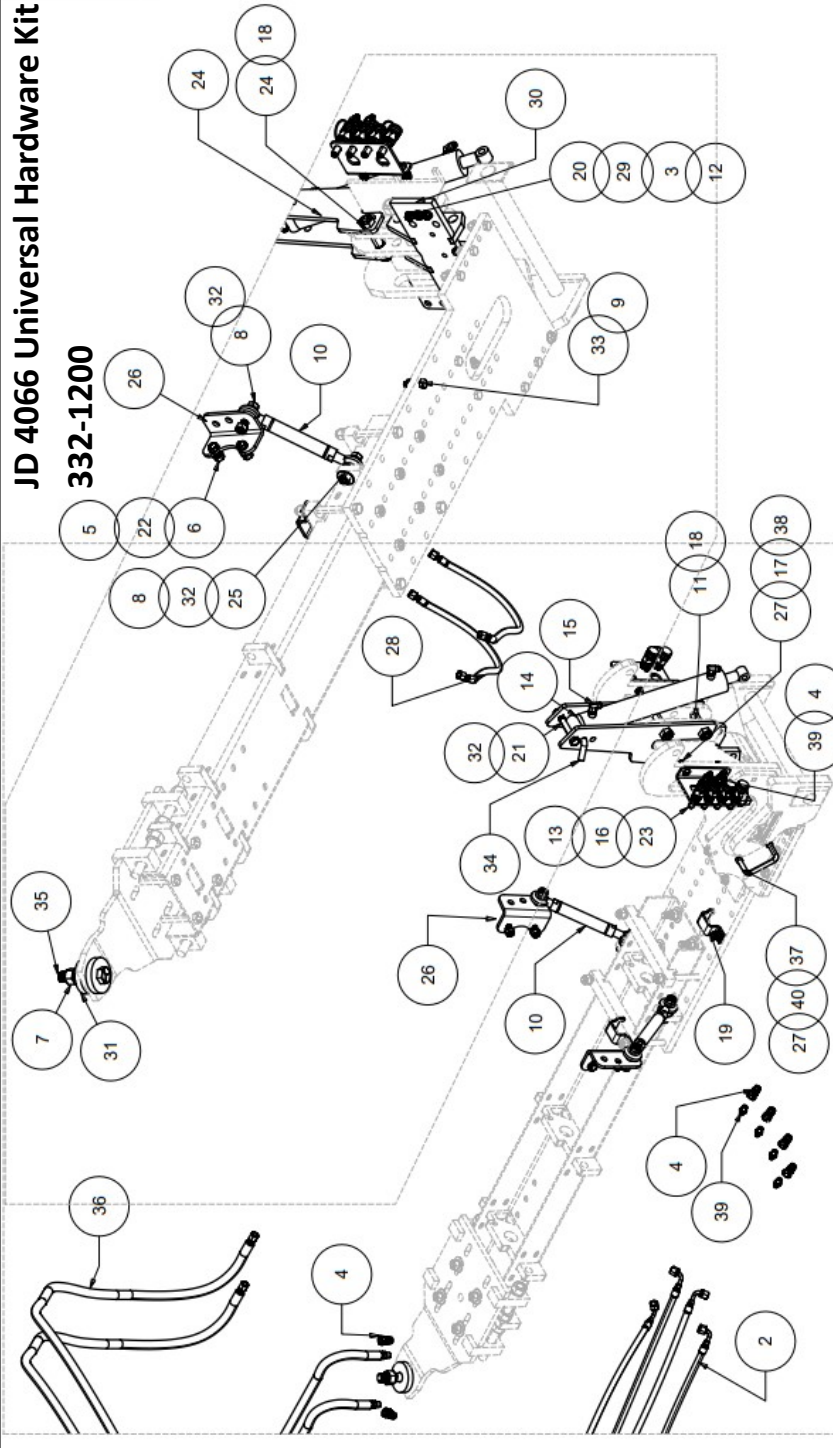
Item	Part Name	Part Number	Quantity
1	Male Ag Coupler	19-400	4
2	Hex Bolt GR 8 1-1/4 - 12 x 7	91268A335	1
3	Locknut GR8 1 1/4 - 7	97135A355	1
4	Hex Bolt GR8 3/4-10 x 3.5	91257A849	4
5	Transfer Line	1-640	5
6	JIC Bulkhead Union - Locknut 08x08	2700-08-08	4
7	Top Link CAT I	22507	2
8	Sway Bracket Case 155	332-1551	2
9	Coupler Cap	18-004	2
10	Elbow 90 1/2 MJIC x 1/2 MSAE 08	6801-NWTO-08-08	2
11	Lockwasher 20MM	91202A257	14
12	Ag Coupler Female	18-400	2
13	Sway bracket Kicker case 155	332-1552	2
14	Standard Coupling Bulkhead	38-809	2
15	JIC 08 to O-Ring 08 Branch Tee	6803-08-08-08	2
16	Hose Retainer 4 IN	332-7900	2
17	Hex Bolt 8.8 20mm-2.5 x 55	91280A886	12
18	Hex Bolt 3/4-10 x 2.75	91257A844	6
19	JIC x Pipe Bulkhead	2706-LN-08-08	2
20	Hex Locknut 1/2-13	95615A210	8
21	3/4" Flat Washer	90108A036	4
22	Hydro Line Cylinder Bridge	HY-209	1
23	JD Bumper Bracket	332-8100	1
24	Drawbar Spacer	332-5600	3
25	CenterLocknut GR2 3/4-10	90040A147-K5	10
26	Hydro Line Rear-Front	HY-800	4
27	JIC 90 Elbow 08 x 08	6500-08-08	2
28	1.2 x 4 IN Square U Bolt	3060T28	2
29	Hex Bolt M20 x 2.5 x 35	91280A882	2
30	Flat Washer 20mm	91166A320	8
31	Carriage Bolt Gr5 1/2-13 x 2	90185A720	4

Copyright Kage Innovation All Rights Reserved www.kageinnovation.com (844) 314-KAGE



JD 4066 Universal Hardware Kit

332-1200



Item	Part Name	Part Number	QTY	Item	Part Name	Part Number	QTY	Item	Part Name	Part Number	QTY
1	Lockwasher 16MM	91202A253	4	15	Elbow 90 1/2 M/JIC x 1/2 MSAE	6801-NWO-08-08	2	29	Flat Washer 1/2	ROC-8071-033	12
2	Hydro Line Mid-Front	HY-507	4	16	Ag Coupler Female	18-400	2	30	JD Bumper Bracket	332-8100	1
3	Hex Bolt GR5 1/2 - 13 x 1.75	92865A718	6	17	Standard Coupling Bulkhead	38-809	6	31	Drawbar Spacer	332-5600	2
4	Male Ag Coupler	19-400	8	18	1-8 Thin Hex Nylock Nut GR5	91342A260	3	32	CenterLocknut GR2 3/4-10	90040A147-K5	5
5	Hex Bolt 8.8 16MM-1.5 x 40	91180A870	4	19	Hose Retainer 4 IN	332-7900	2	33	Hex Bolt GR8 5/8-11 x 2.25	91257A803	1
6	Hex Nut Class8 MM16-1.5	91415A265	4	20	Hex Nut 1/2 - 13	ROC-4181-033	6	34	Hitch Pin	BP 075 0500	1
7	Hex Nylock Nut 1 1/8-7	95615A340	1	21	Hex Bolt GR8 3/4-10 x 5.5	91257A857	1	35	Hex Bolt GR5 1-1/8 - 7 x 5.5	91283A156	1
8	Hex Bolt GR8 3/4-10 x 3.5	91257A849	4	22	Flat Washer 16mm	91166A310	8	36	Hydro Line Rear-Front	HY-800	2
9	Flange Locknut 5/8-11	3221357	1	23	JIC x Pipe Bulkhead	2706-LN-08-08	6	37	1 2 x 4 IN Square U Bolt	3060T28	1
10	Top Link CAT I	22507	2	24	4 Series Lift Plate	800-7641	4	38	Carriage Bolt GR5 1/2-13 x 2	90185A720	4
11	Hex Bolt GR8 1-8 x 5.5	91257A967	3	25	3/4" Flat Washer	90108A036	4	39	JIC x Pipe Adapter 08x08	2404-08-08	6
12	Split Lockwasher 1/2	ROC-8076-033	6	26	Sway Bracket 4066	332-2888	2	40	Hex Nut GR5 1/2-13	95462A033	4
13	Coupler Cap	18-004	6	27	Flange Locknut 1/2 - 13	RF12130FZ	6				
14	Lift Cylinder 5416	PMC-5416	1	28	Hydro Line Cylinder Bridge	HY-209	2				

Copyright Kage Innovation All Rights Reserved (844) 314-KAGE
www.kageinnovation.com

JD 3046R Universal Hardware Kit 332-3047

Item	Part Name	Part Number	Quantity
1	Hydro Line Mid-Front	HY-507	4
2	Male Ag Coupler	19-400	2
3	Hex Locknut 5/8-11	3221357	4
4	3046R Sway Bar Bracket	332-3046	1
5	Top Link CAT 1	22507	2
6	Hex Bolt GR8 1-8 x 5.5	91257A967	2
7	Hex Bolt GR5 3/4-10 x 2	92865A843	4
8	Split Lockwasher, 1/2	ROC-8076-033	6
9	Coupler Cap	18-004	6
10	Lift cylinder 5416	PMC-5416	1
11	Elbow 90 1/2 MJIC x 1/2 MSAE	6801-NWO-08-08	2
12	Hex Bolt GR9 5/8-11 x 2	90201A531	4
13	Ag Coupler Female	18-400	6
14	Standard Coupling Bulkhead	38-809	2
15	1-8 Thin Hex Nylock Nut Gr5	91342A260	2
16	Male JIC 8 x Male NPTF 6	2501-08-06	4
17	Hex Bolt GR8 3/4-10 x 5	91257A855	1
18	Hex Bolt GR8 3/4-10 x 5.5	91257A857	1
19	JIC x Pipe Bulkhead	2706-LN-08-08	6
20	4 Series Lift Plate	800-7641	2
21	3/4" Flat Washer	90108A036	2
22	Sway Bracket 4066	332-2888	2
23	Hex Bolt GR8 3/4-10 x 3.25"	91257A848	4
24	Flange Locknut 1/2 - 13	RF1213OFZ	10
25	Female JIC 08 x Female NPT 08	6503-08-08	4
26	90Elbow	92865A720	6
27	Hex Bolt GR5 1/2-13 x 2	HY-209	2
28	Hydro Line Cylinder Bridge	95505A608	4
29	Hex Nut GR5 3/4-10 Plain Steel	90040A147-K5	1
30	CenterLocknut GR2 3/4-10	BP-075-0500	1
31	Hitch Pin	95615A270	6
32	Hex Nylock Nut GR 5 3/4-10	HY-800	2
33	Hydro Line Rear-Front	3060728	2
34	1_2 x 4 IN Square U Bolt		

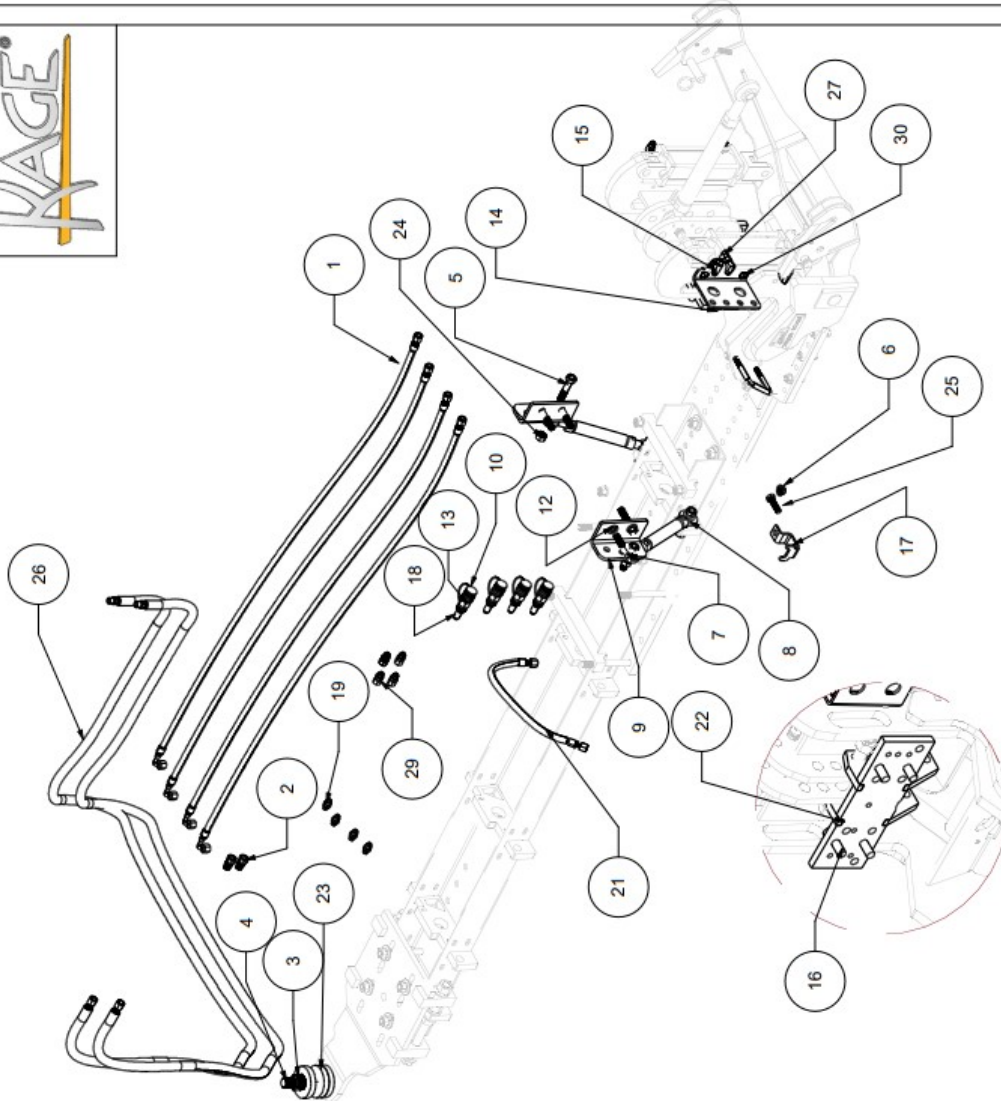
Item	Part Name	Part Number	Quantity
34	Lockwasher 3/4	91102A036	4
35	Carrage Bolt Gr5 1/2-13 x 2	90185A720	4
36	Hex Nylock Nut 1/2 - 13	90566A033	6
37	Lockwasher 5/8	91102A035	4
38	JIC x Pipe Adapter 08x08	2404-08-08	4
39	Hex Nut GR5 1/2-13	95462A033	3
40	SAE Flat Washer 1 x 2	90126A038	2
41	Hex Bolt GR8 1-8 x 6.5	91257A970	1
42	Hex Nylock 1-8	95615A320	1
43	JD Bumper Bracket	332-8100	1

Copyright Kage Innovation All Rights Reserved www.kageinnovation.com (844) 314-KAGE



6R Universal Hardware Kit 332-6000

Item	Part Name	Part Number	Quantity
1	Hydro Line Mid-Front	HY-507	4
2	Male Ag Coupler	19-400	2
3	Locknut GR8 1_4 - 7	97135A355	1
4	Hex Bolt GR 8 1-1_4 - 12 x 7	91268A335	1
5	Hex Bolt GR8 3/4-10 x 3.5	91257A849	4
6	Flange Locknut 5/8-11	3221357	1
7	Hex Bolt M20 x 2.5 x 90	91280A891	4
8	Top Link CAT I	22507	2
9	Sway Bracket 6R	332-2889	2
10	Coupler Cap	18-004	4
11	Elbow 90 1/2 MJIC x 1/2 MSAE	6801-NWO-08-08	2
12	Lockwasher 20MM	91202A257	8
13	Ag Coupler Female	18-400	4
14	Standard Coupling Bulkhead	38-809	1
15	JIC 08 to O-Ring 08 Branch Tee	6803-08-08-08	2
16	Hex Bolt 20MM - 2.5 x 65	91280A888	4
17	Hose Retainer 4 IN	332-7900	1
18	JIC x Pipe Bulkhead	2706-LN-08-08	4
19	Metric ORB x SAE JIC Adapter	7001-08-22	4
20	Flange Locknut 1/2 - 13	RF1213OFZ	2
21	Hydro Line Cylinder Bridge	HY-209	1
22	JD Bumper Bracket	332-8100	1
23	Drawbar Spacer	332-5600	3
24	CenterLocknut GR2 3/4-10	90040A147-K5	4
25	Hex Bolt GR8 5/8-11 x 2.25	91257A803	1
26	Hydro Line Rear-Front	HY-800	2
27	JIC 90 Elbow 08 x 08	6500-08-08	3
28	1_2 x 4 IN Square U Bolt	3060T28	1
29	ORFS x JIC Straight	FF7504-08-08	5
30	Carnage Bolt G15 1/2-13 x 2	90185A720	2



Copyright Kage Innovation All Rights Reserved www.kageinnovation.com (844) 314-KAGE

Image

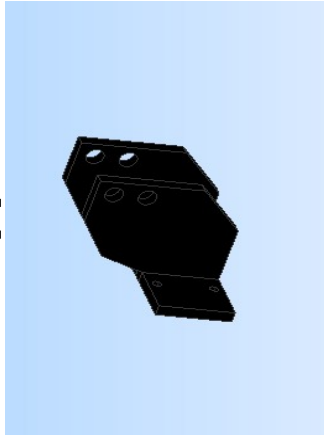
Instructions

Step Title

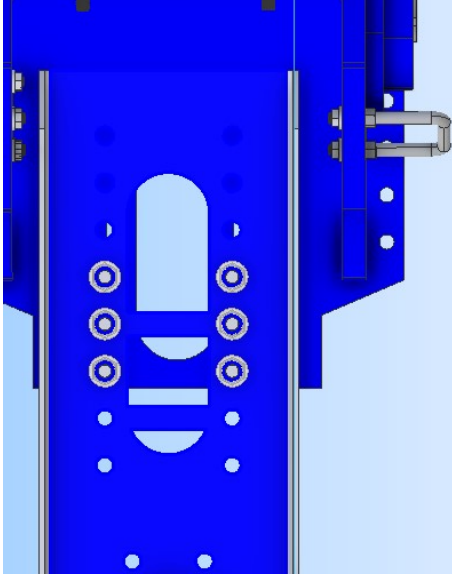
Page 11

1 Install Front Bumper Mount

If equipped, take off your tractor's front bumper by removing the four bolts holding it on. Then use the provided 14mm bolts to bolt on the Bumper Mount. Image A shows correct orientation of bumper mount.



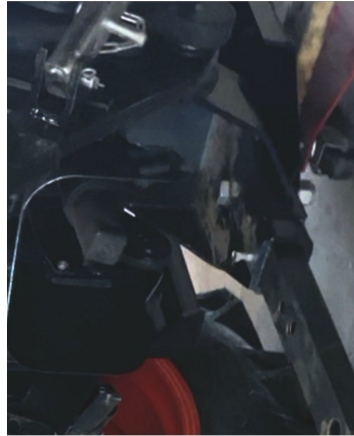
A2



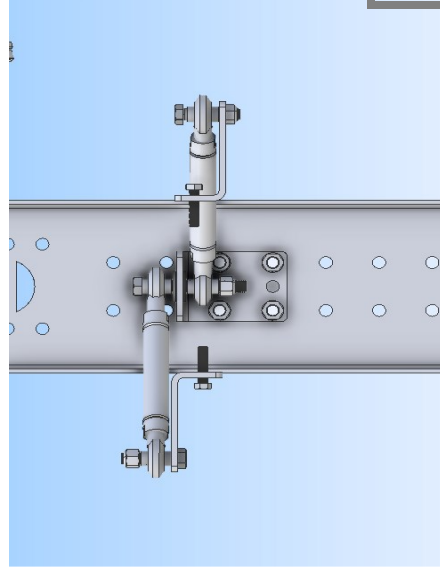
2 Install Kicker/ Front Mount Assembly

Bolt the Kicker to the Front Mount(A2) Drive over assembled Kicker lining up the Front Mount to the Bumper Mount and the rear holes of the Kicker to the drawbar. Then, lift the Front Mount to the highest set of holes without hitting the tractor frame and put the bolt through. After, you will remove the pin in your drawbar and replace it with the provided bolt.

B



C



3 Mount Sway Bars and Sway Bar Brackets

Mount the Top Links onto one of the Sway Bar Brackets. (C) Using the 3/4" by 5" bolt. Put the two 3/4" washers on each side of the Sway Bar Bracket, and then thread the locknut on. After, the sway bar brackets will be mounted onto the tractor. Set the Sway Bar Bracket with the Top Links onto the Kicker Channel and determine the holes you will use and the orientation of the sway bar brackets on the tractor. (D) Mount Brackets to tractor with the provided 14mm bolts. Put the 3/4" by 3.25" bolts through the other end of the Top Links fastening them to the Sway Bar Brackets on the tractor.

D



Installation Sequence For Bobcat CT5555

Revision #7/19/2024

Page 12

Image

Instructions

Step Title

4 Assemble and Run the Hoses
 Loosely thread on all of the fittings on their proper hoses as shown in the hardware kit. The four HY-707 hoses will go to from the mid valve on the tractor to the Pass. side bulkhead. Run the two HY-800 hoses from the driver side bulkhead along the kicker to the rear auxiliary couplers. Once all hoses are run and connected, tighten all of the fittings and couplers.



E

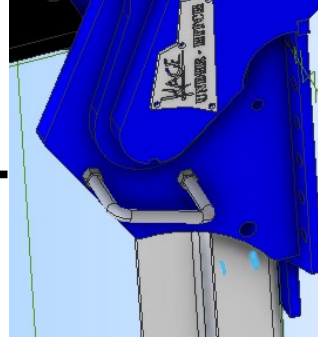


E

5 Mount Hose Bolt
 Bolt on the Square U-Bolts that secure the hydraulic hoses to the Under-Hitch



E

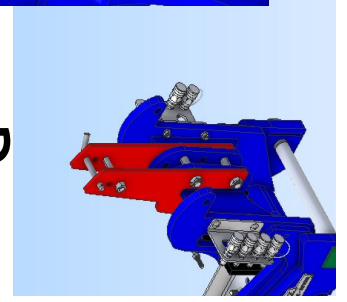


F

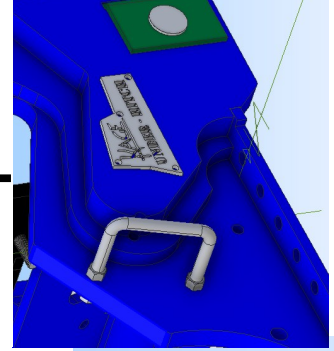
6 Bolt on Lift Plate
 Mount the lift plates (red) onto the Under-Hitch. This will require the two 1" bolts and nuts, the 1 1/8" bolt and nut, and the 3/4" by 5.5" bolt and 3/4" nut.



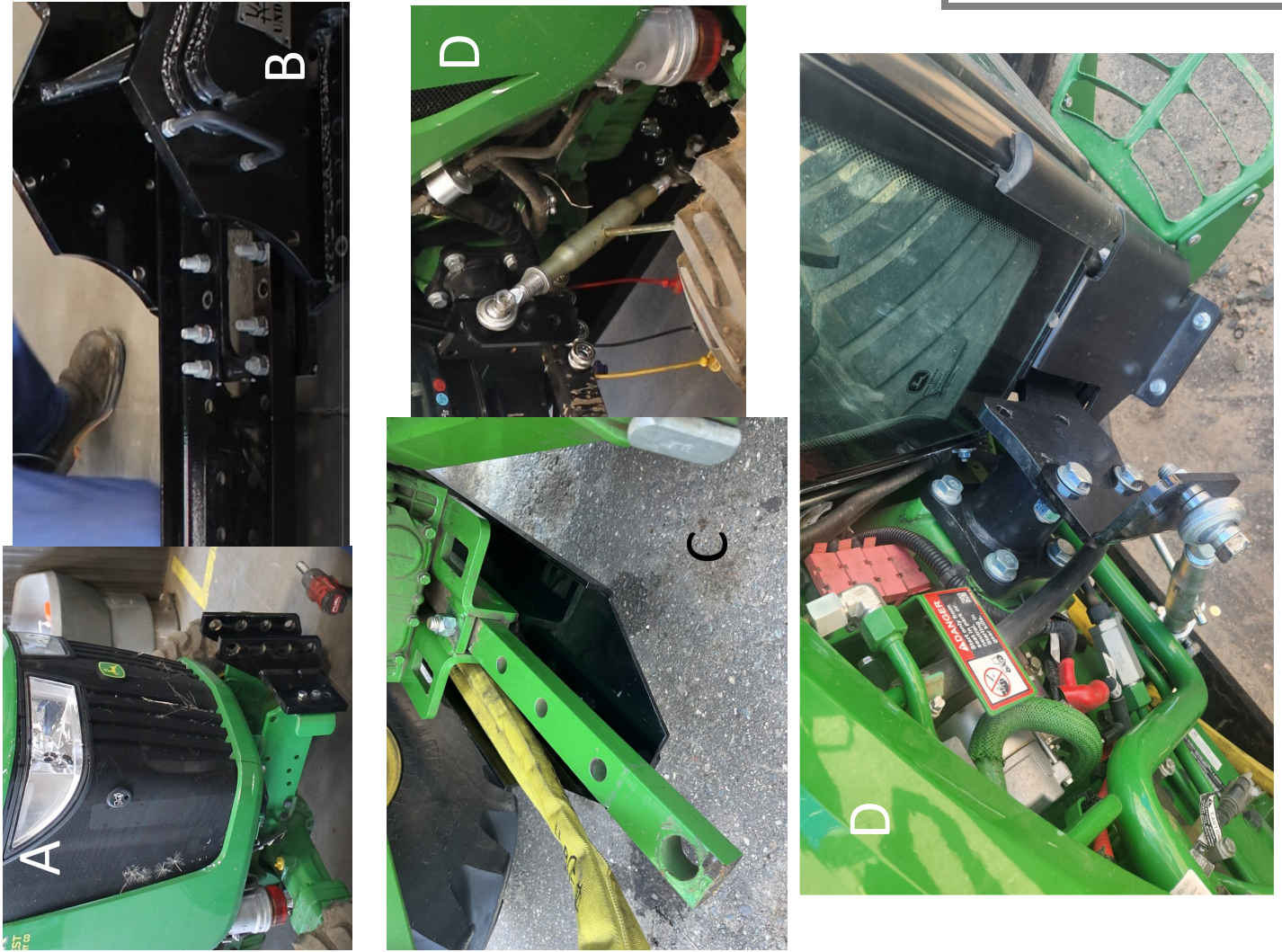
F



G



F



#	Step Title	Instructions	Image
1	Install Front Bumper Mount	Use the provided 1/2-13-2 bolts, nuts, and lockwashers to bolt on the Bumper Mount. Image A shows correct orientation of bumper mount.	A
2	Install Kicker/Front Mount Assembly	Bolt the Kicker to the Front Mount (A2) Drive over assembled Kicker lining up the Front Mount to the Bumper Mount and the rear holes of the Kicker to the drawbar. Then, lift the Front Mount to the highest set of holes without hitting the tractor frame and put the bolt through. After, you will remove the pin in your drawbar and replace it with the provided bolt.	B, C, D
3	Mount Sway Bars and Sway Bar Brackets	First, mount the 3046 Sway Bar Bracket to the kicker using 3/4"-2" bolts, lockwashers, and nuts. Refer to Image C for proper location. Next, bolt the top links to the 3046 Sway Bar Bracket and the 4066 Sway Bracket using 3/4"-3.25" bolts and nylock nuts. After that is done mount bolt the 4066 Sway Brackets to the tractor using 5/8"-2" bolts, lockwashers, and locknuts. Be sure to put the lockwasher on the bolt before it goes through the Sway Bracket. (Refer to image D)	C, D

Installation Sequence For John Deere 3046R

Revision #7/19/2024

Image

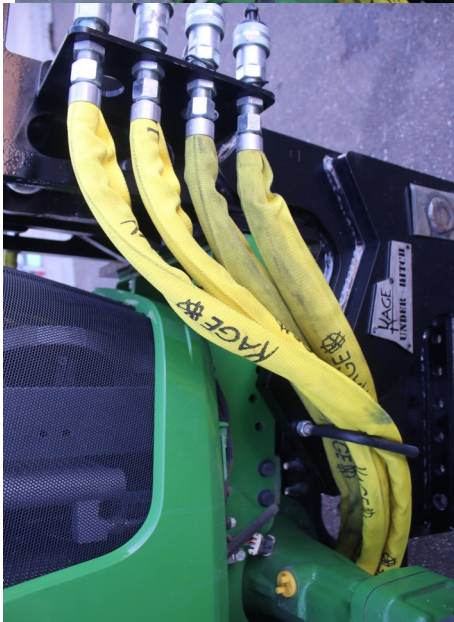
Instructions

Step Title

4 Assem-
ble and
Run the
Hoses

E

Loosely thread on all of the fittings on their proper hoses as shown in the hardware kit. The four HY-507 hoses will go to from the mid valve on the tractor to the Pass. side bulkhead. Run the two HY-800 hoses from the driver side bulkhead along the kicker to the rear auxiliary couplers. Once all hoses are run and connected, tighten all of the fittings and couplers.



E

5 Mount
Hose U-
Bolt

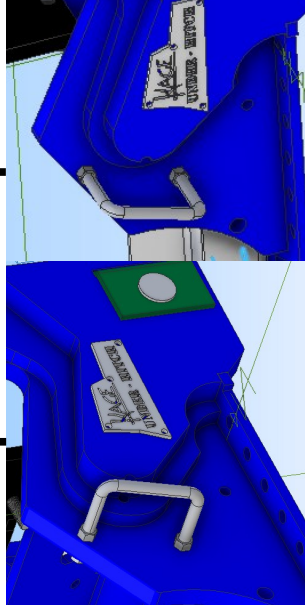
F

Bolt on the Square U-Bolts that secure the hydraulic hoses to the Under-Hitch



F

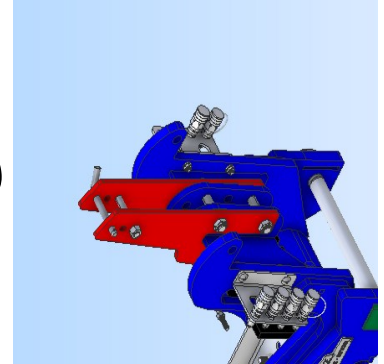
F



6 Bolt on
Lift
Plate

G

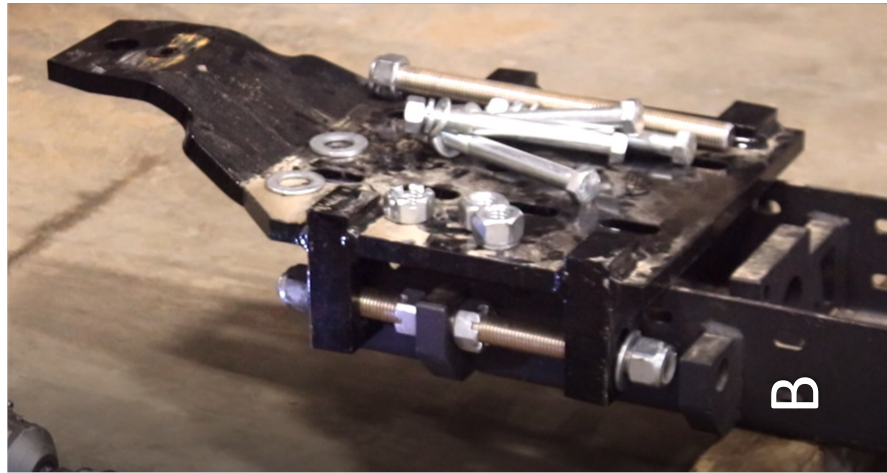
Mount the lift plates (red) onto the Under-Hitch. This will require the two 1" bolts and nuts, the 1 1/8" bolt and nut, and the 3/4" by 5.5" bolt and 3/4" nut.



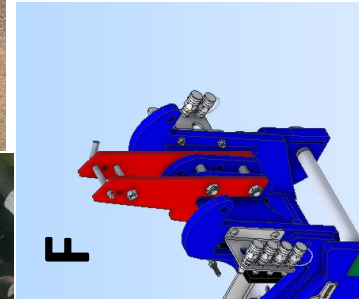
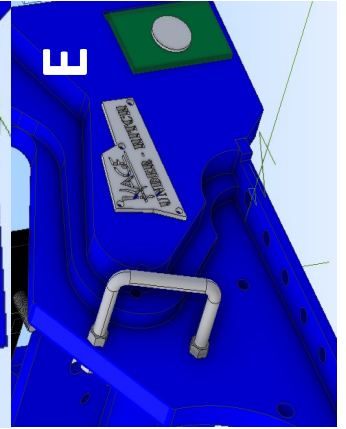
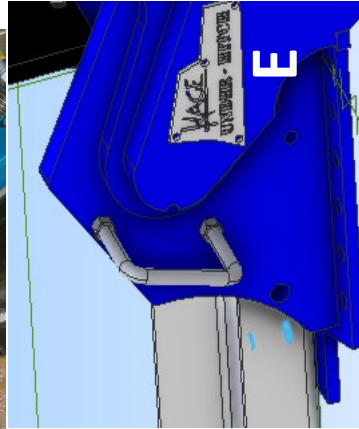
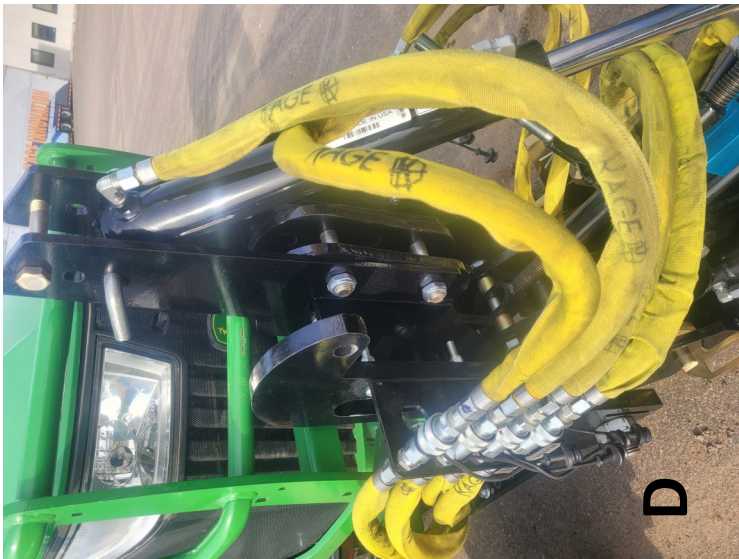
G

Installation Sequence For John Deere 4066

Revision #7/19/2024

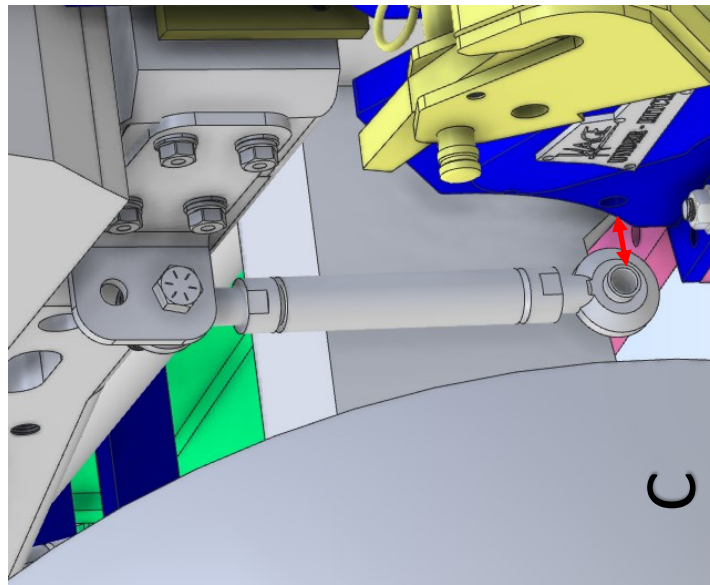
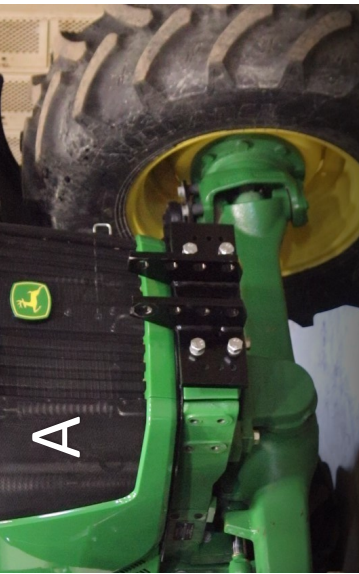
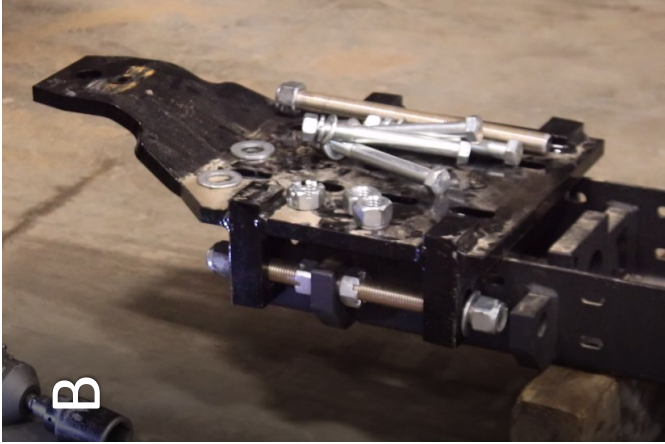


#	Step Title	Instructions	Image
1	Install Front Bumper Mount	Use the provided 1/2-13-2 bolts, nuts, and lockwashers to bolt on the Bumper Mount. Image A shows correct orientation.	A
2	Install Kicker/Front Mount Assembly	Bolt the Kicker to the Front Mount after measuring approximate length from tractor bumper to drawbar. Adjust the Drawbar adjustment slide to the middle of its adjustment range. Drive over assembled Kicker lining up the Front Mount to the Bumper Mount and the rear holes of the Kicker to the drawbar. Then, lift the Front Mount to the highest set of holes while still allowing the front axle to float. tractor frame and put the bolt through. After, adjust drawbar length as needed. Use the provided 1 -1/4 bolt, washers, and nut to bolt the Drawbar to the hitch pin hole.	B
3	Mount Sway Bars and Sway Bar Brackets	Bolt the 4066 Sway Brackets to the tractor using 5/8"-2" bolts, lockwashers, and locknuts. Be sure to put the lockwasher on the bolt before it goes through the Sway Bracket. After that is done bolt the top links to the 4066 Sway Bracket and the Kicker using 3/4"-3.25" bolts and nylock nuts.	C

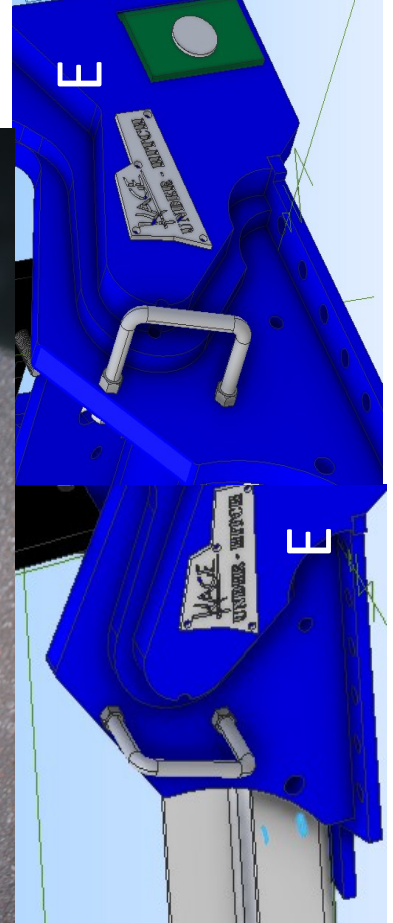
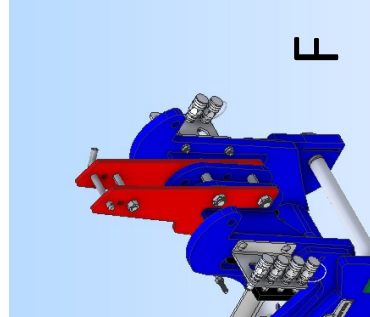
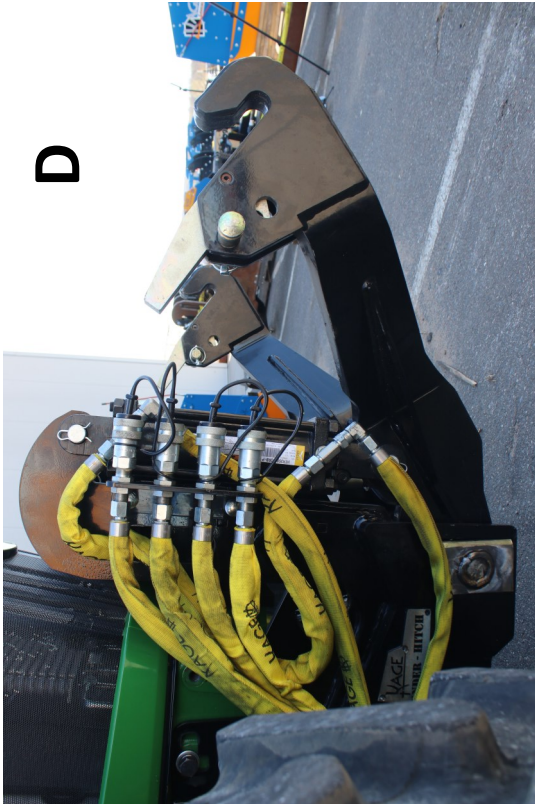


Image

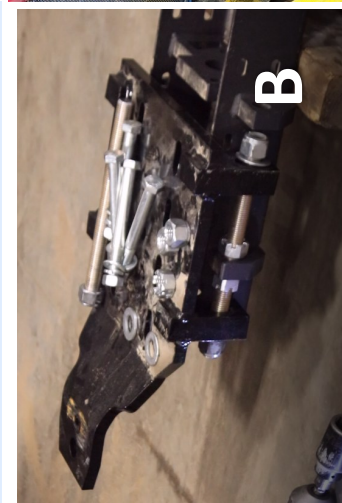
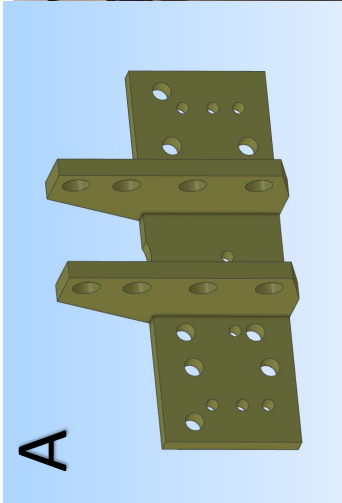
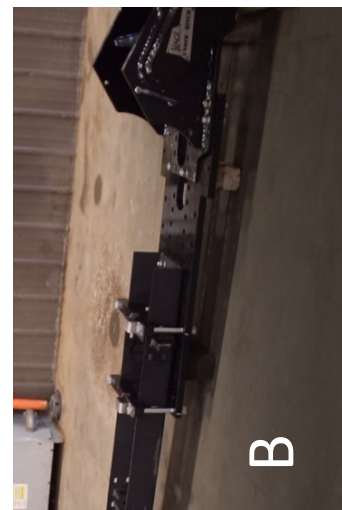
- | # | Step Title | Instructions | Image |
|---|----------------------------|--|-------|
| 4 | Assemble and Run the Hoses | Loosely thread on all of the fittings on their proper hoses as shown in the hardware kit. The four HY-507 hoses will go to from the mid valve on the tractor to the Pass. side bulkhead. Run the two HY-800 hoses from the driver side bulkhead along the kicker to the rear auxiliary couplers. Once all hoses are run and connected, tighten all of the fittings and couplers. | D |
| 5 | Mount Hose U-Bolt | Bolt on the Square U-Bolts that secure the hydraulic hoses to the Under-Hitch | E |
| 6 | Bolt on Lift Plate | Mount the lift plates (red) onto the Under-Hitch. This will require the two 1" bolts and nuts, the 1 1/8" bolt and nut, and the 3/4" by 5.5" bolt and 3/4" nut. | F |



#	Step Title	Instructions	Image
1	Install Front Bumper Mount	Use the provided M20 x 160 bolts and lockwashers to bolt on the Bumper Mount. Image A shows correct orientation.	A
2	Install Kicker/Front Mount Assembly	<p>Bolt the Kicker to the Front Mount after measuring approximate length from tractor bumper to drawbar. Adjust the Draw Bar adjustment slide to the middle of its adjustment range. Drive over assembled Kicker lining up the Front Mount to the Bumper Mount and the rear holes of the Kicker to the drawbar. Then, lift the Front Mount to the highest set of holes while still allowing the front axle to float. tractor frame and put the bolt through. After, adjust drawbar length as needed. Use the provided 1 -1/4 bolt, washers, and nut to bolt the Drawbar to the hitch pin hole.</p>	B
3	Mount Sway Bars and Sway Bar Brackets	Bolt the 5125 Sway Brackets to the tractor using M16" bolts, lockwashers, and flat washers. After that is done bolt the top links to the 5125 Sway Bracket and the Universal front bracket using 3/4"-3.25" bolts and nylock nuts.	C



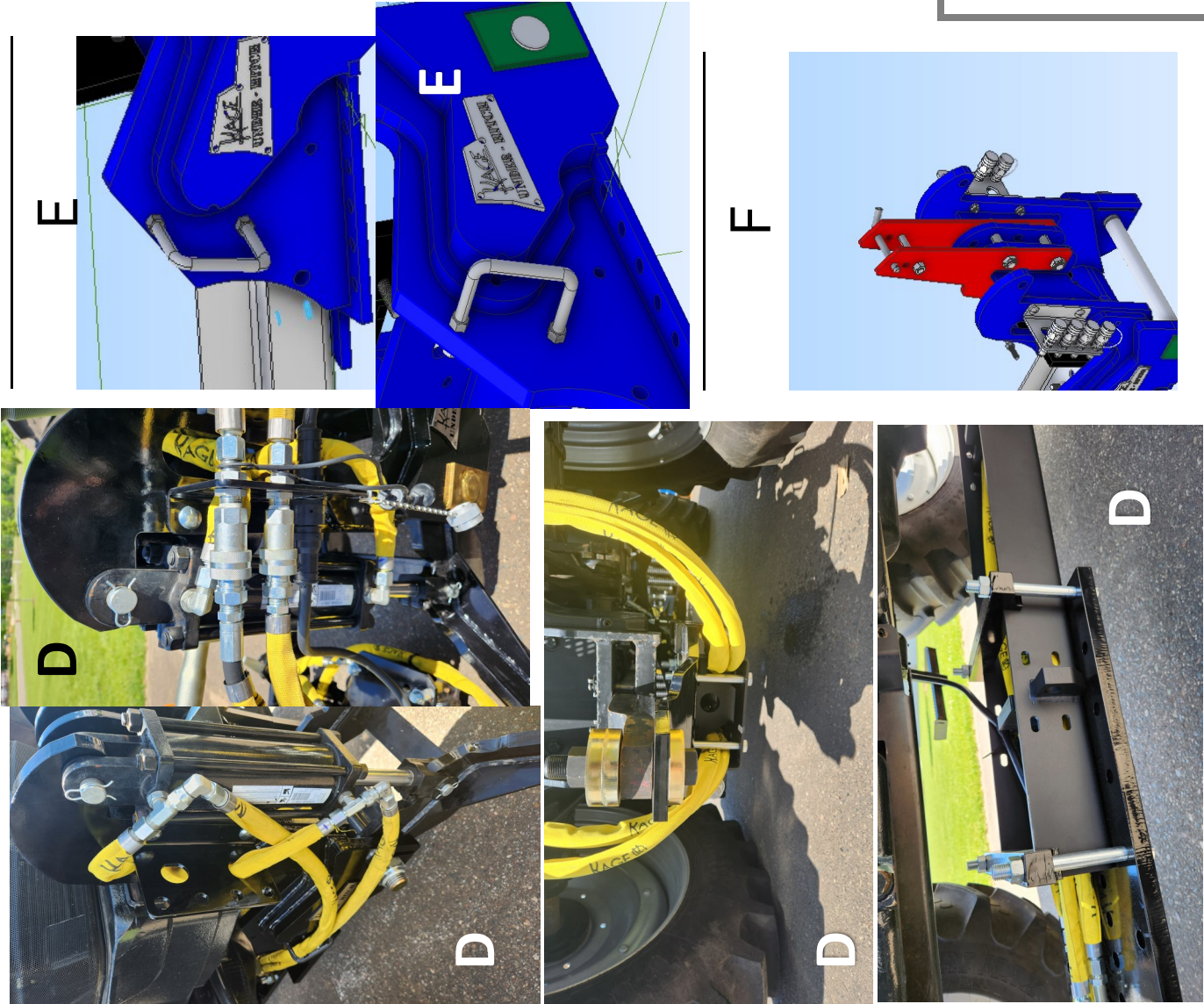
#	Step Title	Instructions	Image
4	Assemble and Run the Hoses	Loosely thread on all of the fittings on their proper hoses as shown in the hardware kit. The four HY-507 hoses will go to the mid valve on the tractor to the Pass. side bulkhead. Run the two HY-800 hoses from the driver side bulkhead along the kicker to the rear auxiliary couplers. Once all hoses are run and connected, tighten all of the fittings and couplers.	D
5	Mount Hose U-Bolt	Bolt on the Square U-Bolts that secure the hydraulic hoses to the Under-Hitch	E
6	Bolt on Lift Plate	Mount the lift plates (red) onto the Under-Hitch. This will require the two 1" bolts and nuts, the 1 1/8" bolt and nut, and the 3/4" by 5.5" bolt and 3/4" nut.	F



#	Step Title	Instructions	Image
1	Install Front Bumper Mount	Use the provided M20 x 55 bolts and lockwashers to bolt on the Bumper Mount. Image A shows correct orientation of the Bumper mount.	A
2	Install Kicker/Front Mount Assembly	Bolt the Kicker to the Front Mount after measuring approximate length from tractor bumper to drawbar. Adjust the Draw Bar adjustment slide to the middle of its adjustment range. Drive over the assembled Kicker lining up the Front Mount to the Bumper Mount and the rear holes of the Kicker to the drawbar. Then, lift the Front Mount to the highest set of holes while still allowing the front axle to float. tractor frame and put the bolt through. After, adjust drawbar length as needed. Use the provided 1 -1/4 bolt, washers, and nut to bolt the Drawbar to the hitch pin hole.	B
3	Mount Sway Bars and Sway Bar Brackets	Bolt the 5125 Sway Brackets to the tractor using M20 x 55 bolts, lockwashers, and flat washers. Bolt each Sway Bracket Kicker to the Kicker with 3/4"-3.75" bolts, washers, and nylock nuts. After that is done bolt the top links to the 5125 Sway Bracket and the Sway Bracket Kicker using 3/4"-3.25" bolts and nylock nuts.	C

Installation Sequence For Case MXM155

Revision #7/19/2024

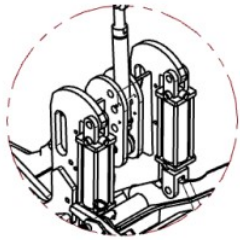
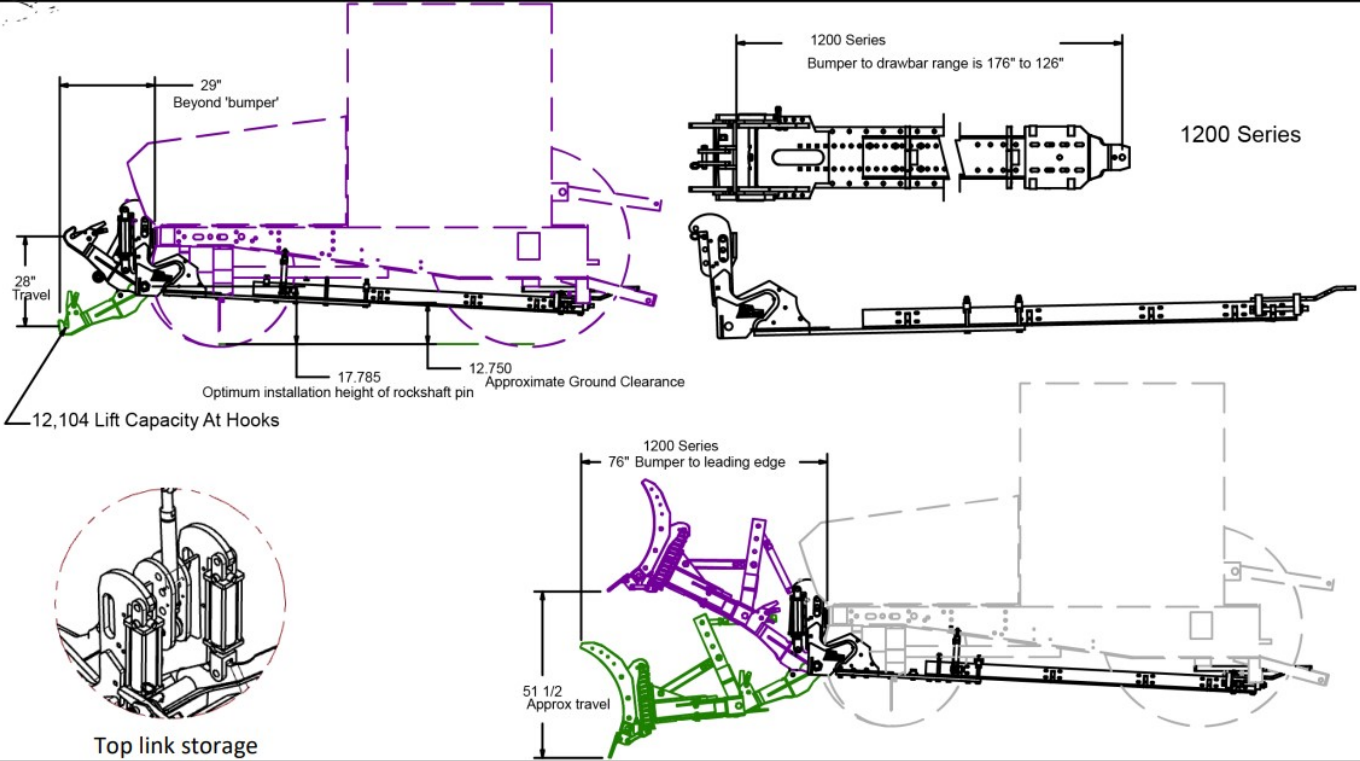


#	Step Title	Instructions	Image
4	Assemble and Run the Hoses	Loosely thread on all of the fittings on their proper hoses as shown in the hardware kit. Each of the four HY-800 hoses should be extended with a 1-640 hose. Run two hoses from the lift cylinders to the rear couplers and the remaining two hoses from the driver's side bulkhead to the rear couplers. Pay attention to orientation of bulkheads. Once all hoses are run and connected, tighten all of the fittings and couplers.	D
5	Mount Hose U-Bolt	Bolt on the Square U-Bolts that secure the hydraulic hoses to the Under-Hitch	E
6	Bolt on Lift Plate	Mount the lift plates (red) onto the Under-Hitch. This will require the two 1" bolts and nuts, the 1 1/8" bolt and nut, and the 3/4" by 5.5" bolt and 3/4" nut.	F

KAGE® Under-Hitch™ Specifications

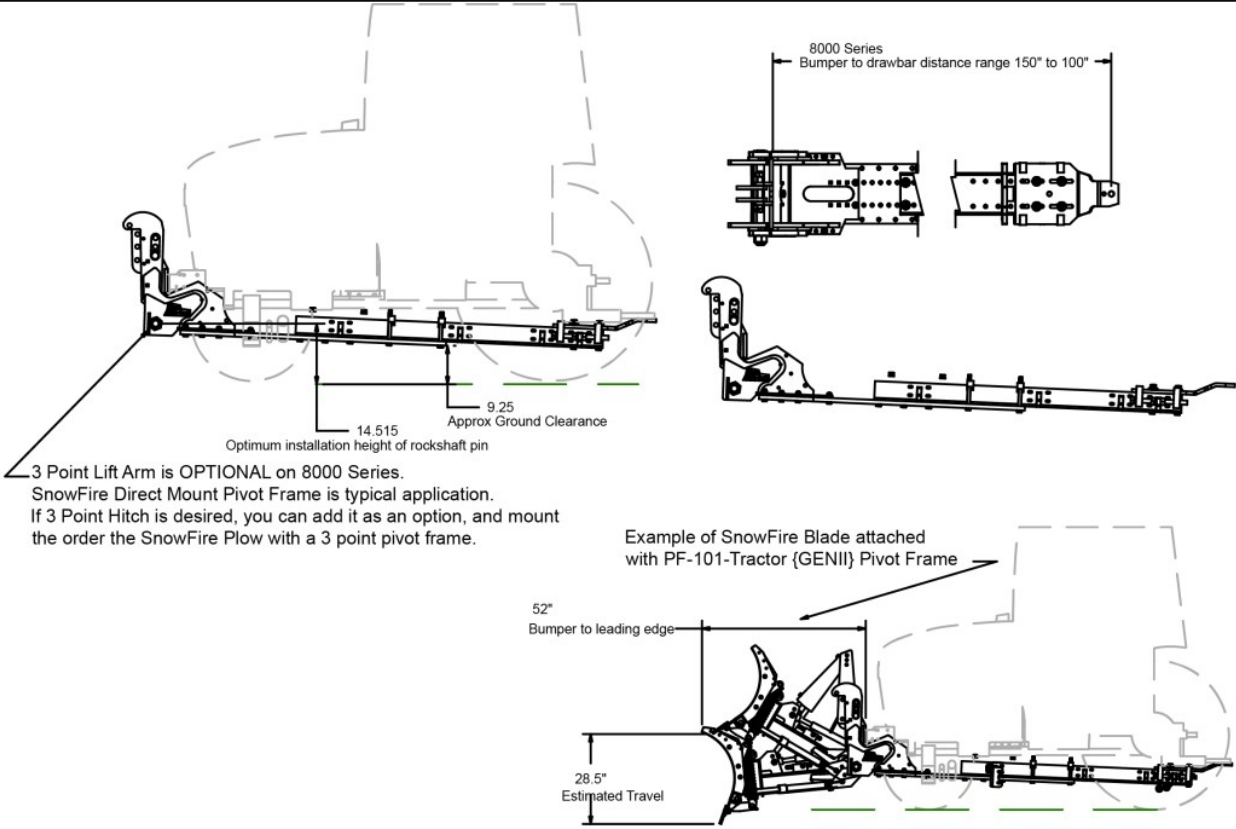


1200



Top link storage

8000

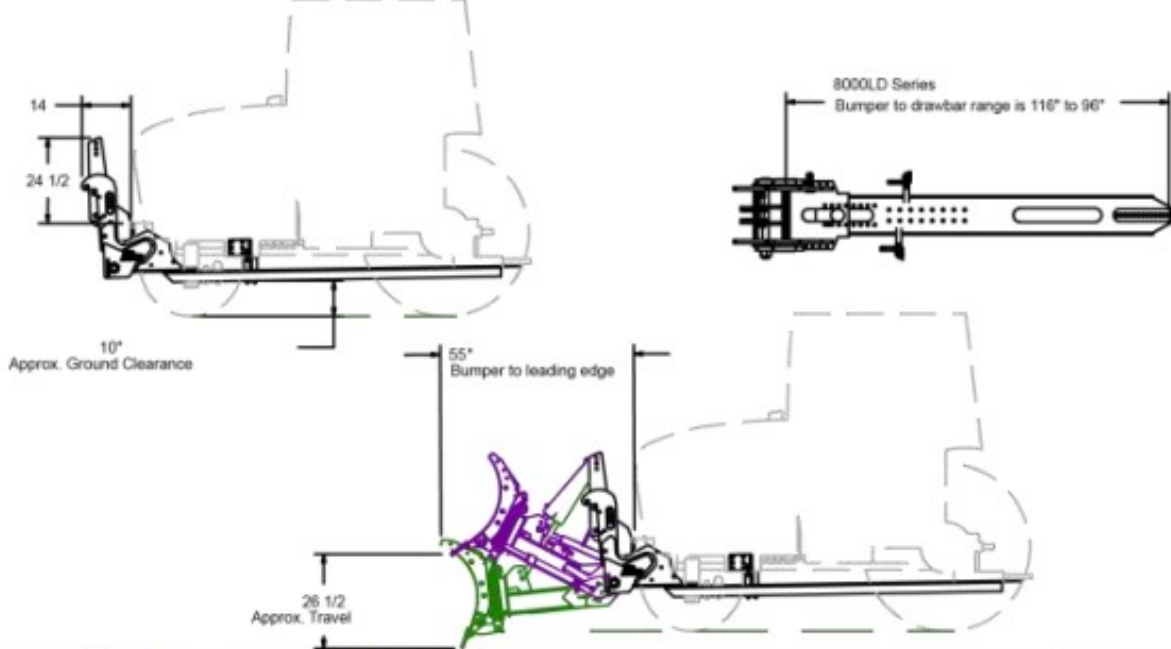


Example of SnowFire Blade attached with PF-101-Tractor (GENII) Pivot Frame



KAGE® Under-Hitch™ Specifications

8000LD



Size Grouping	Weight LBS	Recommended Plow Compatibility	Description	P/N
1200	1,400	SnowStorm OR SnowDozer with 3 Point Hitch	Undercarriage kit with hoses and hardware for tractors where the distance from the bumper to the drawbar hitchpin is between 146" and 126". Choose tractor model from the interchange codes.	3PH1200-{Select Tractor Code}
8000	1,050	SnowFire with Direct Attach pivot frame, OR 3 Point pivot frame	Undercarriage kit with hoses and hardware for tractors where the distance from the bumper to the drawbar hitchpin is between 125" and 95". Choose tractor model from the interchange codes.	3PH8000-{Select Tractor Code}
8000LD	973	SnowFire with Direct Attach pivot frame	Undercarriage kit with hoses and hardware for tractors where the distance from the bumper to the drawbar hitchpin is between 116" and 96". Choose tractor model from the interchange codes.	3PH8000LD-{Select Tractor Code}

Tractor Make	Tractor Model	HP	Serial Number (if available)	CAT (I, II, or III)	Compatible KAGE Undercarriage	Added by person:	Added Date	Tractor Code
John Deere	3046	40		I	3PH8000LD	Mike Stephan	3/28/2024	3000
John Deere	4066R	50		I	3PH8000	Mike Stephan	3/28/2024	4000
John Deere	5075M	80		II	3PH1200	Mike Stephan	3/28/2024	5000
John Deere	6066R	95		II	3PH1200	Mike Stephan	3/28/2024	6000
Bobcat	CT5555	155		I	3PH8000LD	Kyler Stephan	6/3/2024	3055
Case	MXM155			II	3PH1200	Josh Gates	7/5/2024	6155

Most up to date compatibility list download here:

<http://64.33.194.245:42222/SharedLinks.aspx?accesskey=4dbd275a4069c0fda28dcfada99cb34c11db7d6dcc568522a2c670f8f0f1e54&VaultGUID=64CC5EF0-59F1-444C-BDD5-D237DB42471E>

Kage Limited Warranty

Kage Innovation will repair or, at the option of Kage Innovation, replace those parts which prove defective due to material or workmanship under normal use for a period of two (2) years from the date of retail sale or date of invoice from Kage Innovation, whichever is later. Expendable items, such as rubber, or polyurethane are excluded from this warranty.

Kage Innovation warrants that the products manufactured by us to be in accordance with our published specifications or those specifications agreed to by us in writing at the time of sale. The obligation of Kage Innovation is expressly limited to repairing or replacing, at its option, any product not meeting such specifications within the warranty period.

LIMITATIONS OF WARRANTY AND DAMAGES

KAGE INNOVATION MAKES NO OTHER WARRANTY, EXPRESSED OR IMPLIED, AND MAKES NO WARRANTY OF MERCHANTABILITY OR OF FITNESS FOR ANY PARTICULAR PURPOSE. THERE ARE NO WARRANTIES WHICH EXTEND BEYOND THE FACE HEREOF.

IN NO EVENT SHALL KAGE INNOVATION, BE HELD LIABLE FOR SPECIAL, INCIDENTAL OR CONSEQUENTIAL DAMAGES OR FOR DAMAGES RESULTING FROM MISAPPLICATION, ABUSE, MISUSE, ACTS OF GOD, UNAUTHORIZED ALTERATION OF THE KAGE INNOVATION PRODUCT, OR SUBSTITUTION OF PARTS NOT AUTHORIZED IN WRITING BY KAGE INNOVATION.

To obtain service under this warranty the consumer must return the defective Kage Innovation product to Kage Innovation directly, the dealer from which the product was purchased or to any authorized Kage Innovation dealer, transportation and freight charges prepaid. Only Kage Innovation dealers are authorized to perform the obligations under this warranty with pre-authorization from Kage Innovation.

No person is authorized to alter or amend this warranty or to create any warranty other than that set forth herein without the expressed written consent of Kage Innovation.

Kage Innovation reserves the right to make improvement changes on any of our products without prior notice.

Revision Comments

Date	Name	Description
7/19/2024	Josh Gates	First Revision
10/19/2024	Josh Gates	Replaced all instances of “undercarriage” with “underhitch”