



Snow Dozer™

Owners Manual

REV: 2024.7.15

Contents:

Configurations	3
Routing Instructions	4
Specifications.....	7-8
Parts Breakdowns.....	9-33
Schematics.....	34-36

SnowDozer Configurations

1: Plow Configurations

The SnowDozer Plow is offered in 2 configurations. Each configuration has a different parts list for the plow center section.

- 2-in-1 system with a removable box. The parts breakdown for the center section of the 2-in-1 system can be found on pages 11-12.
- Hydraulic wings. The parts breakdown for the Wing configuration can be found on page 10, the parts breakdown for the Wing hydraulics can be found on pages 26-27.



2-in-1 System

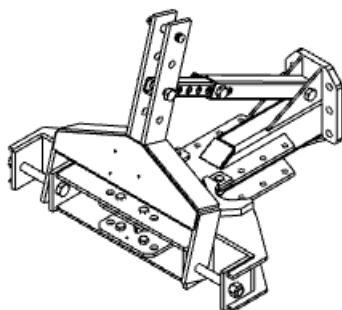


Wing Plow

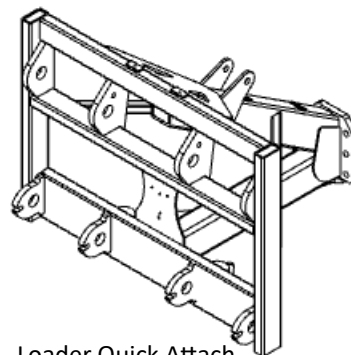
2: Pivot Frame Configurations

The pivot frame also comes in 2 configurations: 3-Point for tractors and Quick Attach for loaders.

See page 18-20 for 3-Point specific parts breakdowns.



3-Point



Loader Quick Attach

Routing wires and attaching SnowKage (2 in 1 System)

1

STEP 1

Attach plow to loader including hydraulics. Route machine wire harness up loader boom to 24v auto plug inside loader cab, fig 1. Ensure there is enough slack and follow pivot points while routing. 12v coils are available from factory, fig 2.



Fig. 1

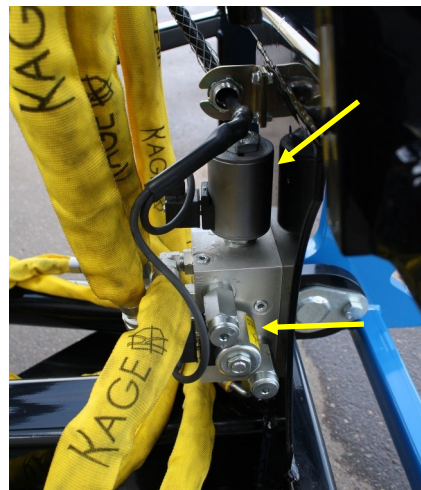


Fig. 2

2

STEP 2

Toggle switch, fig 3, on the machine wire harness will activate SnowKage locking pins. Fig 4, when hydraulics are activated. When switch is off, the plow will angle.



Fig 3

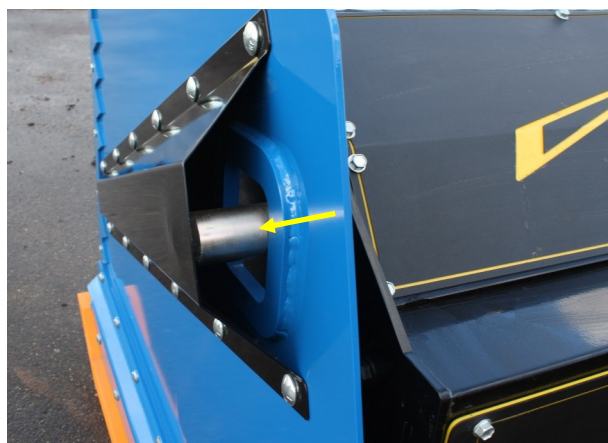


Fig 4

Routing wire harness and installing wing control (Wing Plow)

1

Attach plow to loader including hydraulics. Route machine wire harness up loader boom to 12V (24V optional_ auto plug inside loader cab, fig 1. Ensure there is enough slack and follow pivot points while routing. 24v coils are available from factory.

Fig. 1



2

Mount the pushbuttons using the provided RAM mount, double sided tape, or tape to joystick. See examples of these 3 mount options below. When mounting directly to the factory joystick, you can use a pliers to bend the metal tabs to conform to the shape of the joystick and then tape in a location that the operator can reach each button with their fingers.

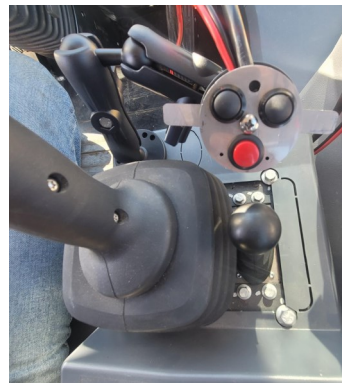
Tape nearby auxiliary lever



Tape pushbuttons to joystick –bend tabs to conform



Use provided RAM mount



3

Plug in the adapter plug to 12 (24VDC coils are optional. If unsure check the coil marking on the valve underneath the middle cover of the SD Plow Moldboard).

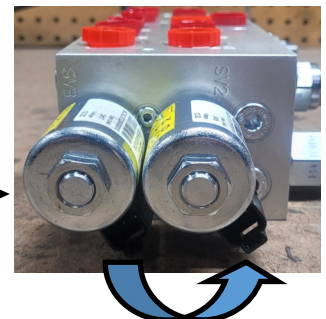


Red operates both wings simultaneously



Black operates both left or right wings independently.

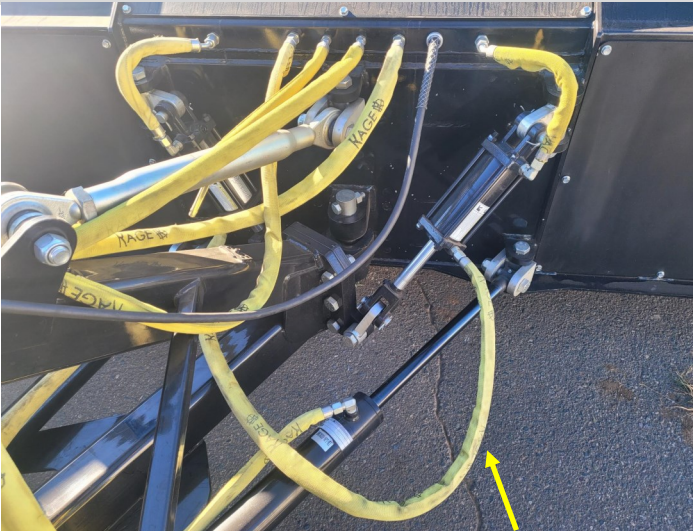
NOTE: to associate each button with left or right wing, swap the plugs at the valve / plow harness.



IMPORTANT CHANGE FALL OF 2024

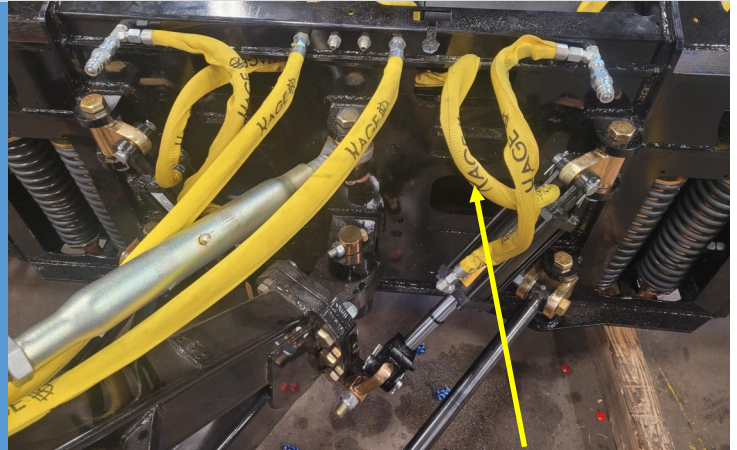
IN FALL 2024 KAGE RE-DESIGNED THE SNOWDOZER MOLDBOARD TO ACCOMMODATE THE HYDRAULIC WING KIT. THIS CHANGE REQUIRED THAT WE ADD A C-CHANNEL TO THE LENGTH OF THE MOLDBOARD, DECREASE THE CENTER MOLDBOARD TO 6' RATHER THAN 8' AND OUTER SECTIONS. WE ALSO SWITCHED THE OSCILLATION CYLINDERS TO SPRING-RETRACT RATHER THAN 'PUSH'. THESE CHANGES ARE PICTURE BELOW.

OLD PRE-FALL-2024



Air transfer line connecting oscillation retracting ports (OLD)

NEW POST FALL-2024



Air transfer line connecting oscillation extending ports (NEW)



Solid 8' back—no channel for wing cylinders (OLD)



Opening in 6' back for wing cylinders (NEW)

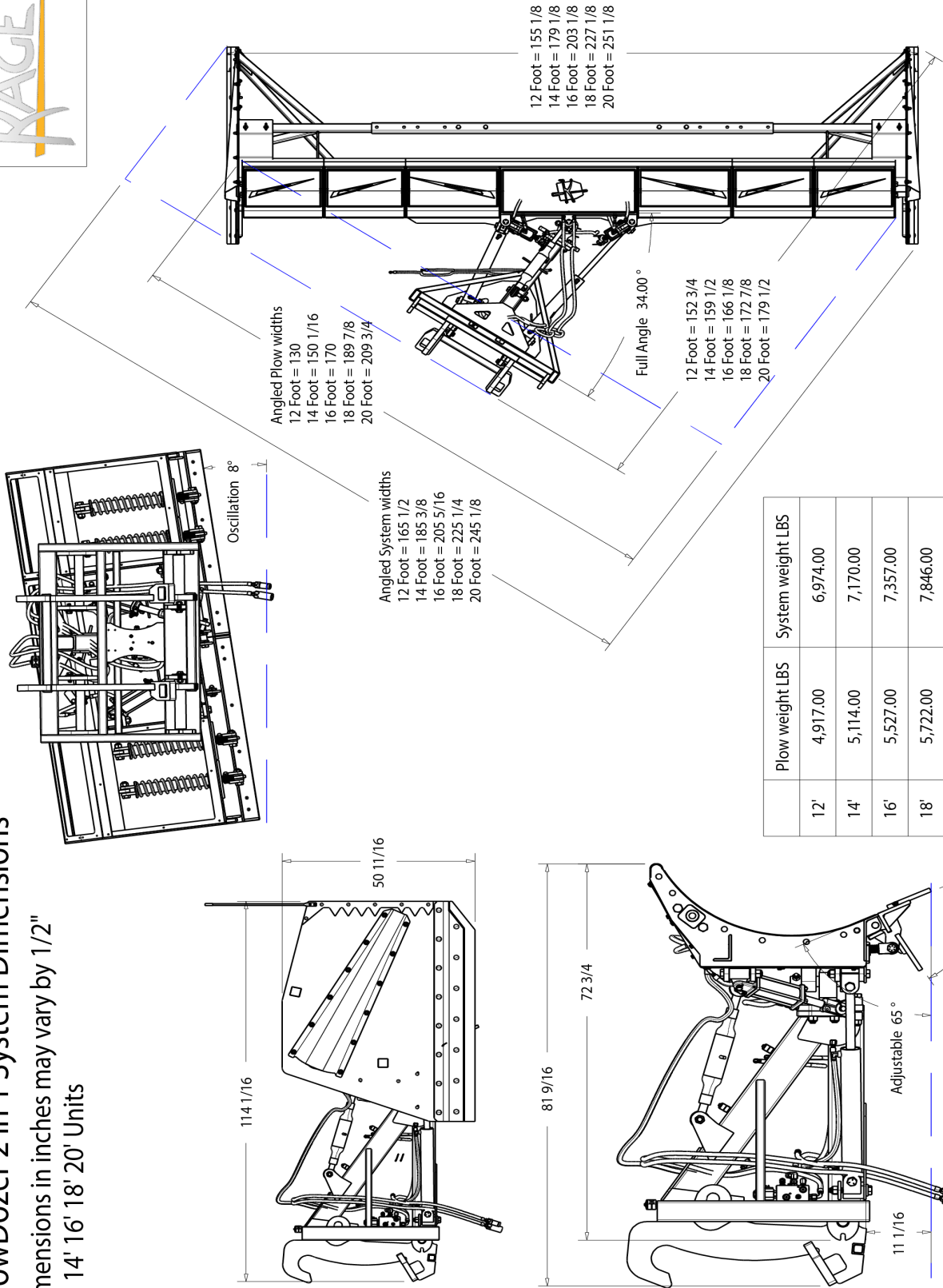
Fig 2

Fig 3



SnowDozer 2 in 1 System Dimensions

Dimensions in inches may vary by 1/2"
12' 14' 16' 18' 20' Units

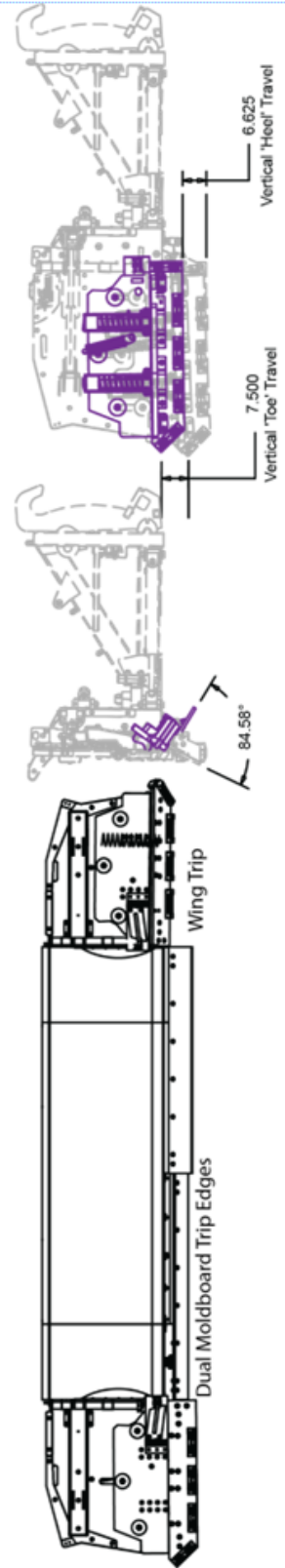
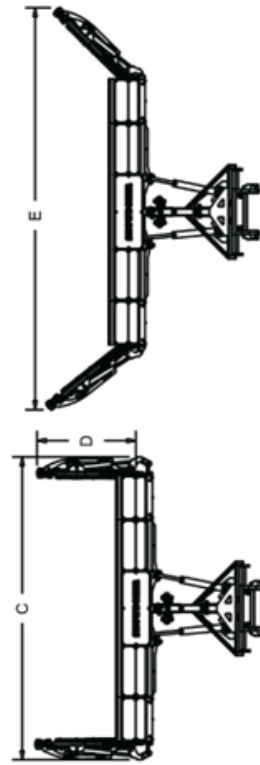
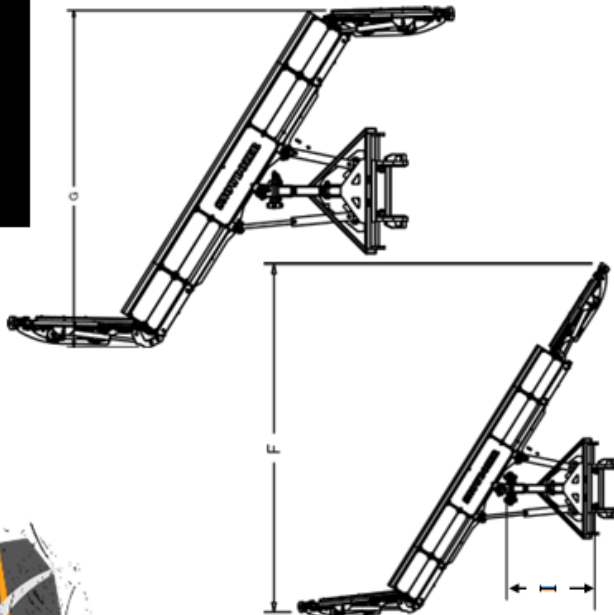


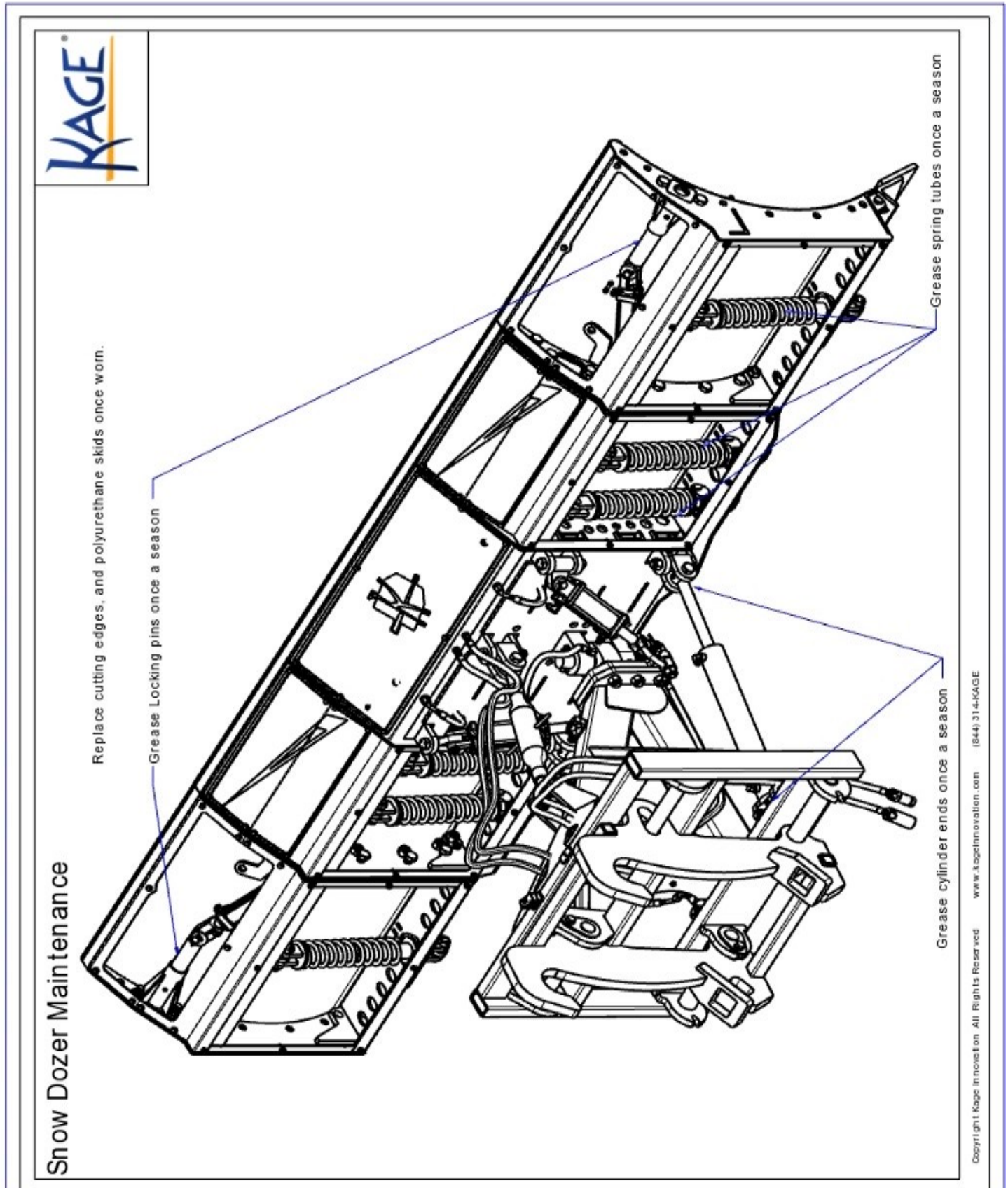
Copyright Kage Innovation. All Rights Reserved. www.kageinnovation.com (844) 314-KAGE


SnowDozer™ Wing Plow Specifications

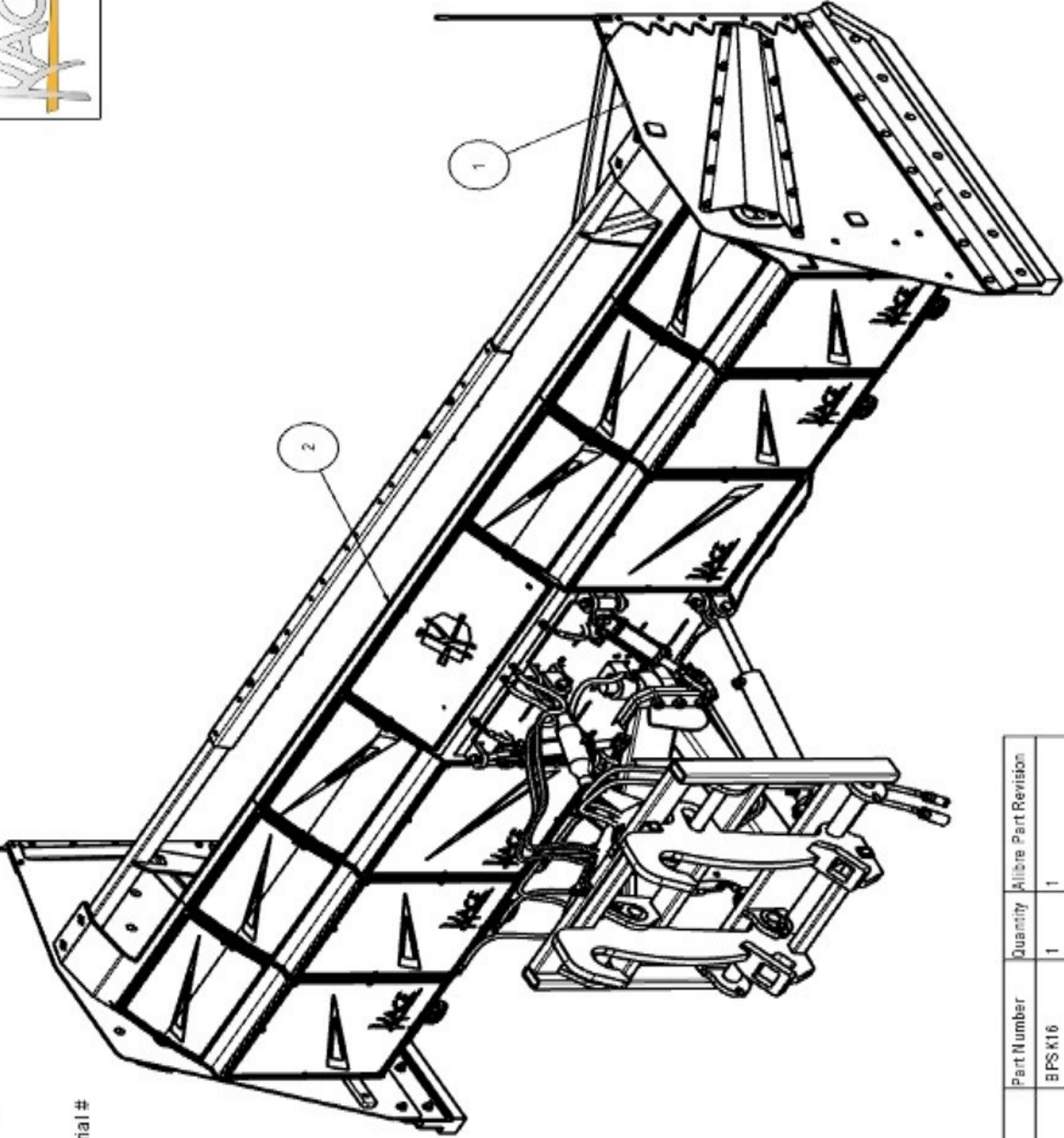
All Dimensions Provided Are Approximate And For Reference Only

Model	A Inches	B Inches	C Inches	D Inches	E Inches	F Inches	G Inches	H Weight	I Inches
BPS1018	131	216	140	53	202	171	115		46.5
BPS1020	131	240	140	65	194	186	115		46.5
BPS1220	155	240	164	53	218	193	137	4866	46.5
BPS1422	179	264	188	53	242	215	159		46.5
BPS1624	203	286	212	53	266	236	180		46.5
BPS1826	227	310	236	53	290	257	201		46.5
BPS1222	155	264	164	65	226	208	137		46.5
BPS1424	179	286	188	65	250	230	159		46.5
BPS1626	203	310	212	65	274	250	180		46.5
BPS1828	227	334	236	65	298	272	201		46.5







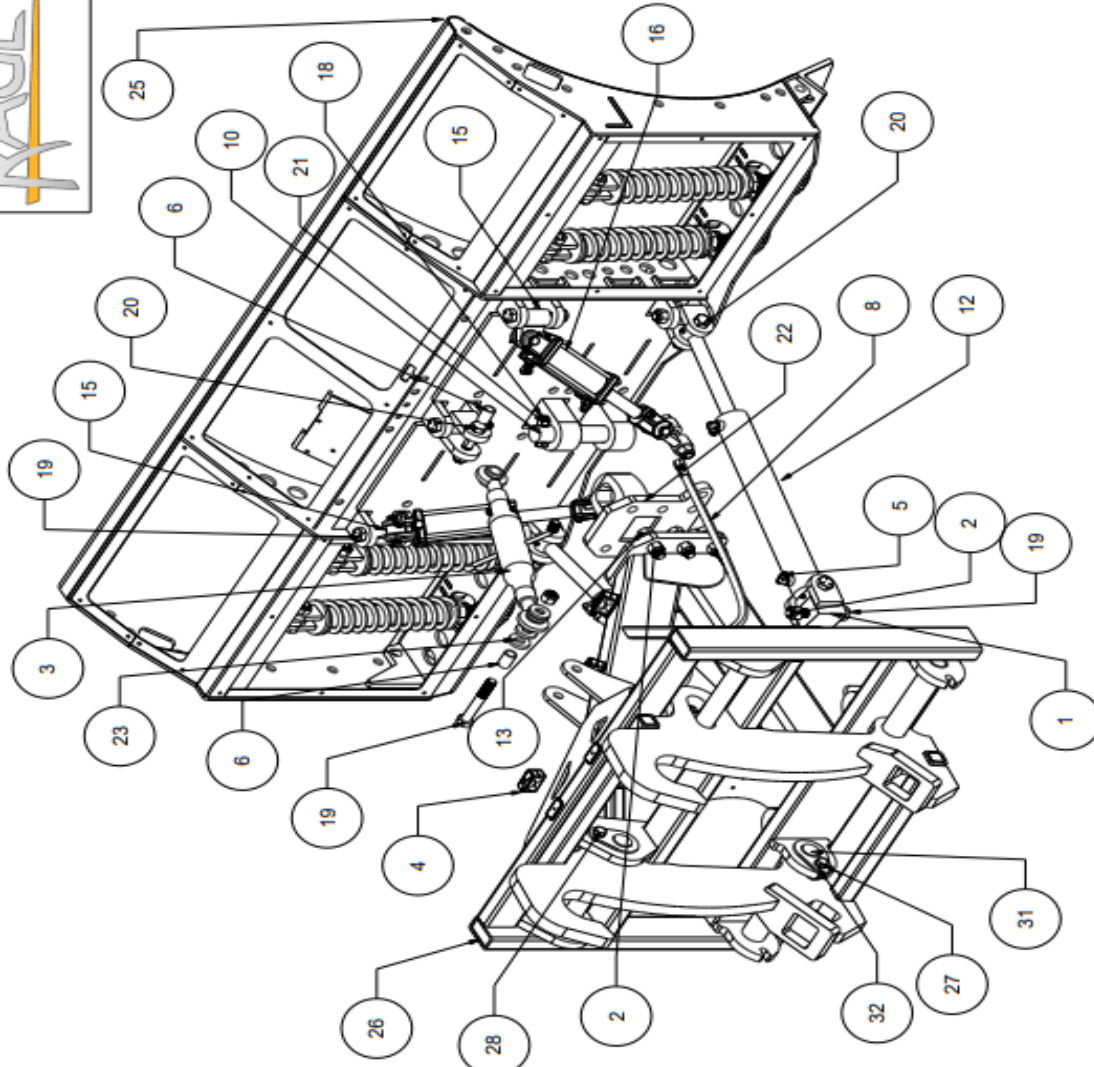


WEIGHT LBS

Snow Dozer System 16
BPS16
 Version# _____
 Version Starting Serial # _____

Item	Part Name	Part Number	Quantity	Alt/Re Part	Revision
1	SnowKage 16	BPS K16	1		1
2	Snow Dozer 16	BP16	1		1

Copyright: Kage Innovation. All Rights Reserved. www.kageinnovation.com (844) 314-KAGE



**SnowDozer Center Blade Assembly
SDC8(HEG1)**

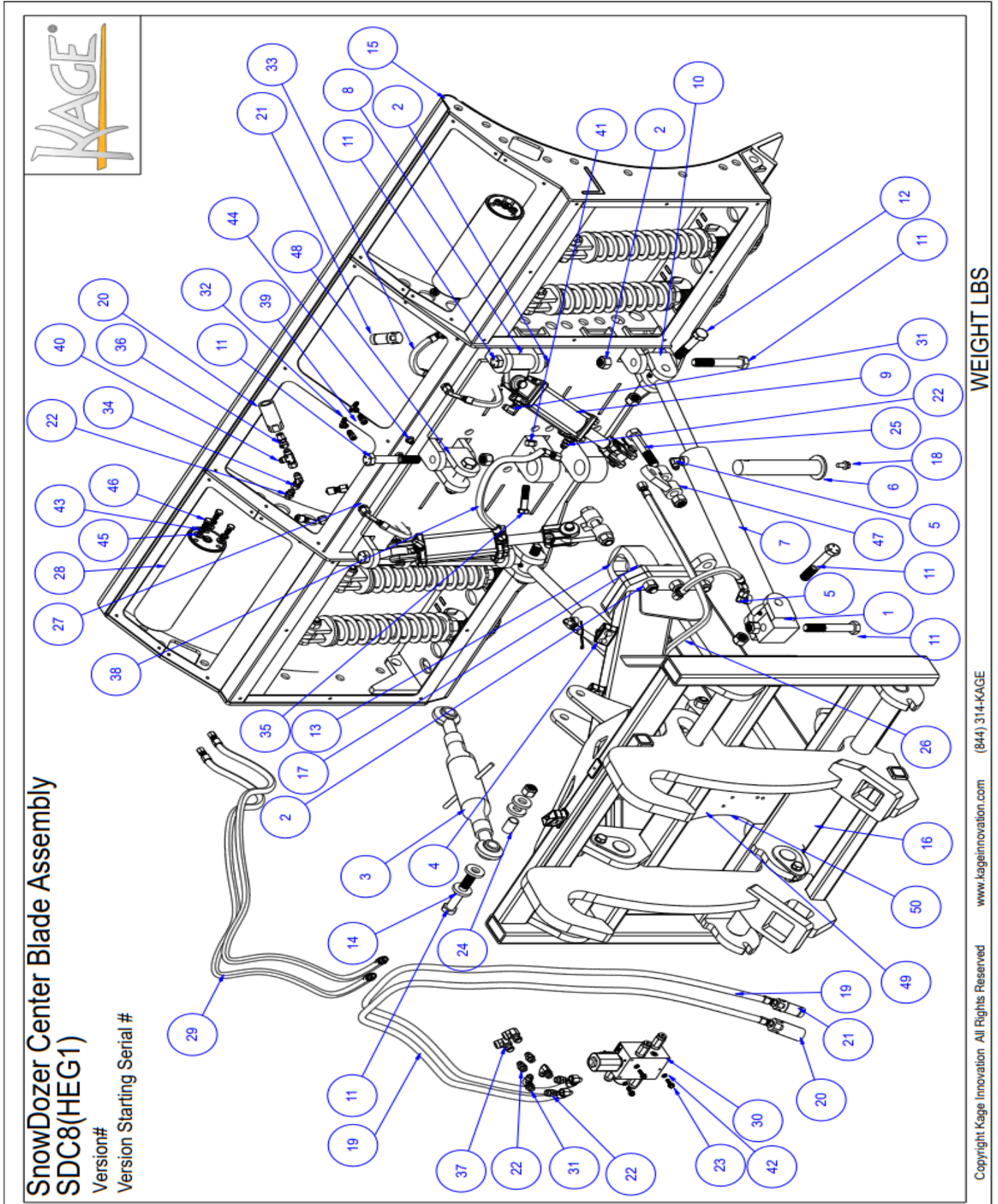
Version #

Version Starting Serial #

Item	Part Name	Part Number	Quantity
1	Cylinder Link Rear	CLR10	2
2	Hex Nylock Nut 1-8	95615A320	20
3	Top Link CAT III	22530	1
4	Hose Clamp Assy	T3014T	3
5	JIC x Pipe 90 adaptor	2501-08-08	4
6	CAT II Reducer Bushing	21192	2
7	Flange Hex Bolt 1/2 - 13 x 1	92979A463	1
8	Transfer Line	1-640	1
9	Hex Bolt GR8 1-8 x 5.5	91257A967	2
10	King Pin Weldment	KPW16	1
11	Oscillation Link	OLW10	2
12	Hydraulic Cylinder 8320	PMC-8320	2
13	Hex Bolt GR8 1-8 x 3.5	91257A959	6
14	Cylinder Link Center	CLC10	1
15	Cylinder Link Tilt	CLT10	2
16	Lift Cylinder Short	W300060-S	2
17	Cylinder Link Front	CLF10	2
18	Hex Bolt GR8 3/4-10 x 3.25"	91257A848	1
19	Hex Bolt 1-8 x 6.5	91247A929	10
20	Hex Bolt GR8 1-8 x 5	91257A965	3
21	CenterLocknut GR2 3/4-10	90040A147-K5	5
22	Pivot Frame Adaptor	PFA4	1
23	1-3/75 washer	13W	4
24	Moldboard Assembly 8	SDM8	1
25	PIVOT FRAME GROUP	KBW-P	1
26	Hex Bolt GR5 3/4-10 x 2.25	92865A844	2
27	Hex Bolt GR5 3/4-10 x 2	92865A843	2
28	3/4" Flat Washer	90108A036	2
29	Quick Attach	See Spec Sheet	1
30	Float Pin	67-001	4
31	JIC x ORB Straight	6400-0-08-08	2
32	Elbow 90 1/2 MJIC x 1/2 MSAE	6801-NWO-08-08	2

Weight LBS

Copyright Kage Innovation. All Rights Reserved. www.kageinnovation.com (844) 314-KAGE





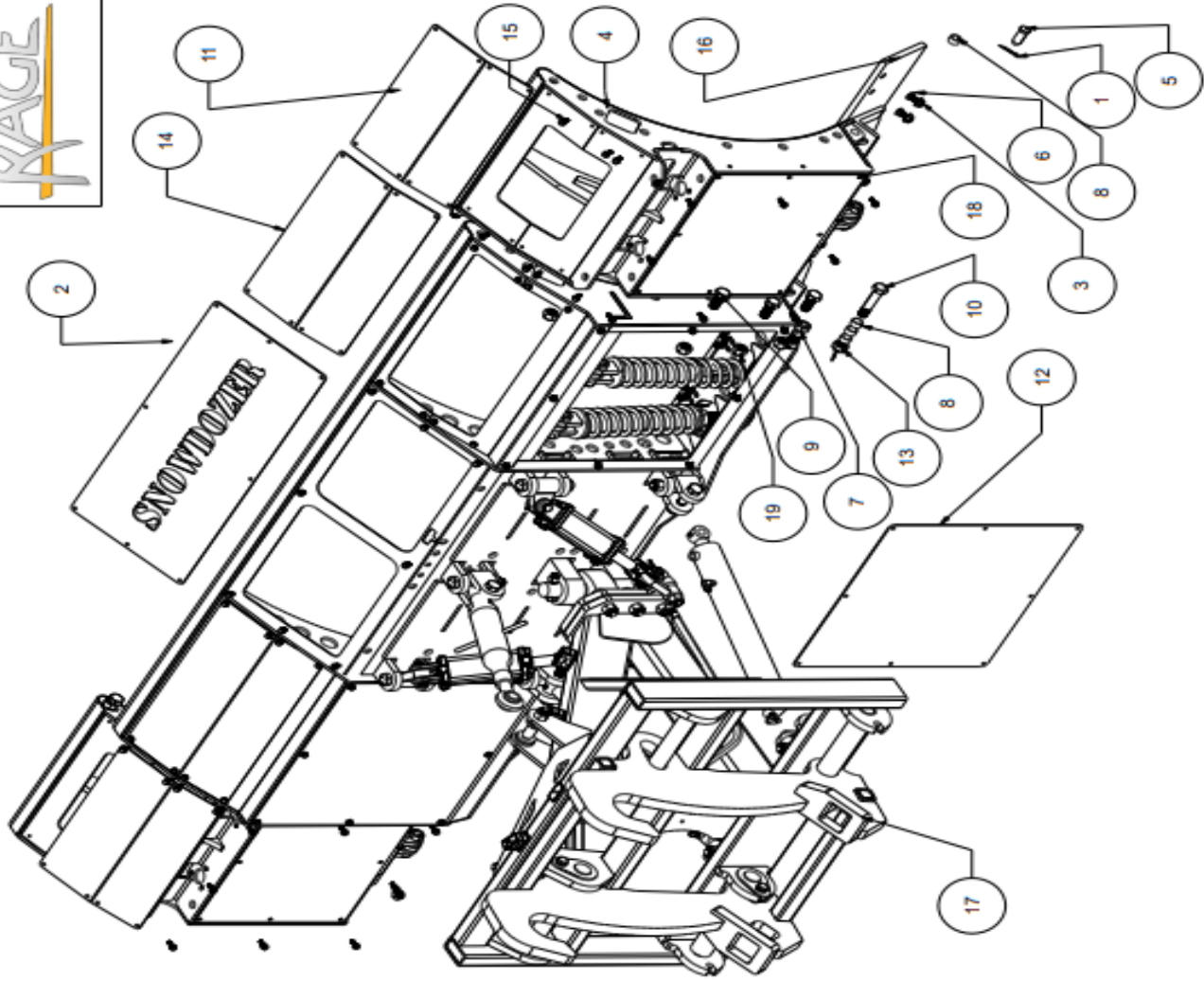
Version#
Version Starting Serial #

Item	Part Name	Part Number	Quantity	Part
25	Hex Bolt GR8 1-8 x 5.5	91257A967	2	1
26	Transfer Line	1-640	1	BLANK
27	JIC Bulkhead Union - Locknut 08x08	2700-08-08	2	1
28	Accumulator	A4N0116D656Q	2	BLANK
29	Line Valve to Dist. Block	1-765	2	BLANK
30	Valve Assy	C11258	1	24V
31	JIC x ORB 90 Elbow	6801-NWO-08-08	4	BLANK
32	JIC Tee 04 x 04 x 04	6600-04-04-04	2	1
33	Crossover Line	HY-701-ORB	6	BLANK
34	JIC 08 x JIC 08 Elbow 45	6502-08-08	2	1
35	Hex Bolt GR8 3/4-10 x 3.25"	91257A848	1	BLANK
36	Female 08 JIC x Male 08 Pipe Adaptor	6505-08-08	2	1
37	Female JIC 08 x Female NPT 08 90Elbow	6503-08-08	2	BLANK
38	Hydro Line Cylinder Bridge	HY-209	1	BLANK
39	JIC Extender Swivel 04x06	6504-04-06	2	1
40	JIC x JIC x JIC Tee	6602-08-08-08	2	BLANK
41	CenterLocknut GR2 3/4-10	90040A147-K5	1	BLANK
42	Lockwasher, 5/16	ROC-8076-030	3	BLANK
43	Split Lockwasher, 1/2	ROC-8076-033	6	BLANK
44	JIC Bulkhead 06	2700-LN-06-06	2	
45	Flat Washer 1/2	ROC-8071-033	6	BLANK
46	Hex Bolt 1/2 - 20 x 1	92865A352	6	BLANK
47	Oscillation Link	OLW10	2	1
48	Cylinder Link Center	CLC10	1	1
49	Machine Wire Harness 8 Pin	MSC521	1	1
50	Plow Wire Harness 8 Pin	PSC520	1	1

Item	Part Name	Part Number	Quantity	Part
1	Cylinder Link Rear	CLR10	2	1
2	Hex Nylock Nut 1-8	95615A320	20	BLANK
3	Top Link CAT III	22530	1	BLANK
4	Hose Clamp Assy	T3014T	3	BLANK
5	JIC x Pipe 90 adaptor	2501-08-08	4	BLANK
6	King Pin Weldment	KPW16	1	1
7	Hydraulic Cylinder 8320	PMC-8320	2	BLANK
8	Cylinder Link Tilt	CLT10	2	1
9	Lift Cylinder Short	B300060ABAAA07B	2	BLANK
10	Cylinder Link Front	CLF10	2	1
11	Hex Bolt 1-8 x 6.5	91247A929	10	BLANK
12	Hex Bolt GR8 1-8 x 5	91257A965	3	BLANK
13	Pivot Frame Adaptor	PFA4	1	1
14	1-.375 washer	13W	4	46
15	Moldboard Assembly 8	SDM8	1	
16	Floating Pivot Frame Assy	KBW-PF	1	BLANK
17	Hex Bolt Gr8 1-8 x 3.5	91257A959	6	1
18	Flange Hex Bolt 1/2 - 13 x 1	92979A463	1	
19	Hydro Line, Pass	HY-707	2	BLANK
20	Hydro Coupler, Female	FEM-501-8FP-NL	2	BLANK
21	Hydro Coupler, Male	FEM-502-8FP	2	2
22	JIC x ORB Straight	6400-0-08-08	8	BLANK
23	Flange Hex Bolt GR5 5/16 - 18 x 1	92979A253	3	BLANK
24	CAT II Reducer Bushing	21192	2	1.1

WEIGHT LBS

Copyright Kage Innovation All Rights Reserved www.kageinnovation.com (844) 314-KAGE



SnowDozer 12
BP12
 Version # 1
 Version Starting Serial #



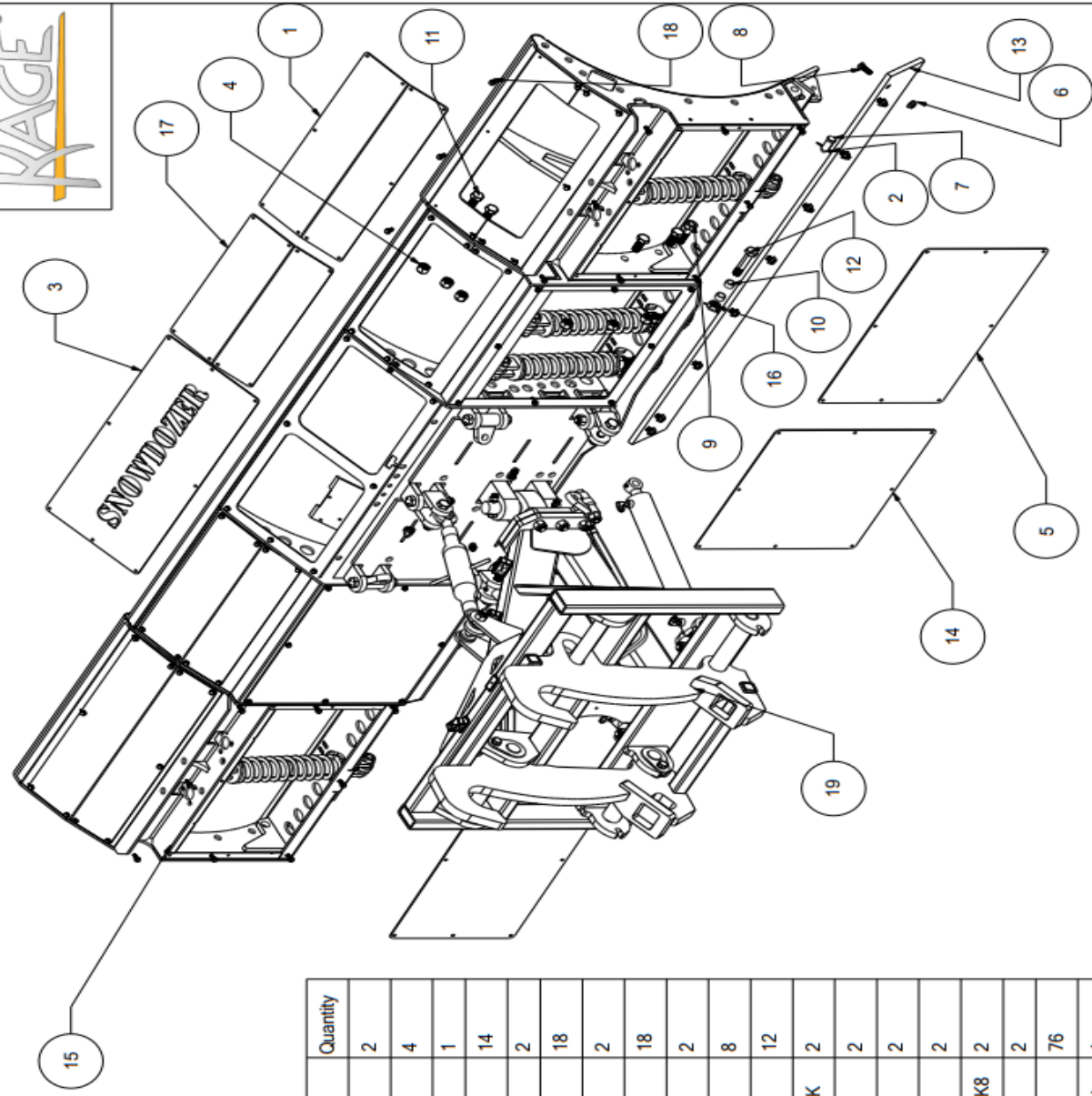
Item	Part Name	Part Number	Quantity
1	Cotter Pin 3/16 x 2	98338A516	4
2	Access Panel Aluminum	AP100A	1
3	Flange Locknut 5/8-11	3221357	16
4	Section Moldboard Assembly 2	SM2	2
5	Clevis Pin	98306A677	2
6	Plow Bolt 5/8-11 x 2"	90934A802	17
7	Hex Bolt GR8 1-8 x 3.5	91257A959	2
8	Stop Bushing	909-4	8
9	HEX BOLT GR8 1-8 x 2.25	92620A954	12
10	Hex Bolt GR8 1-8 x 4.75 w Hole	91257A964-K	2
11	Top Cover 24 Aluminum	TC24	2
12	Back Cover 28 Aluminum	BC28	2
13	Slotted Nut 1-8	97190A040-K8	2
14	Top Cover 28 Aluminum	TC28A	2
15	Flange Hex Bolt 3/8-16 x 1 Self Tapping	93882A657	68
16	Cutting edge 3/4" x 8" x 6'	SBCSD72	2
17	SnowDozer Center Blade Assembly	SDC8(HEG1)	1
18	Back Cover 24 Wing	BC24-W	2
19	Hex Nylock 1-8	95615A320	18

Weight LBS 4679

(844) 314-KAGE

www.kageinnovation.com

Copyright Kage Innovation All Rights Reserved

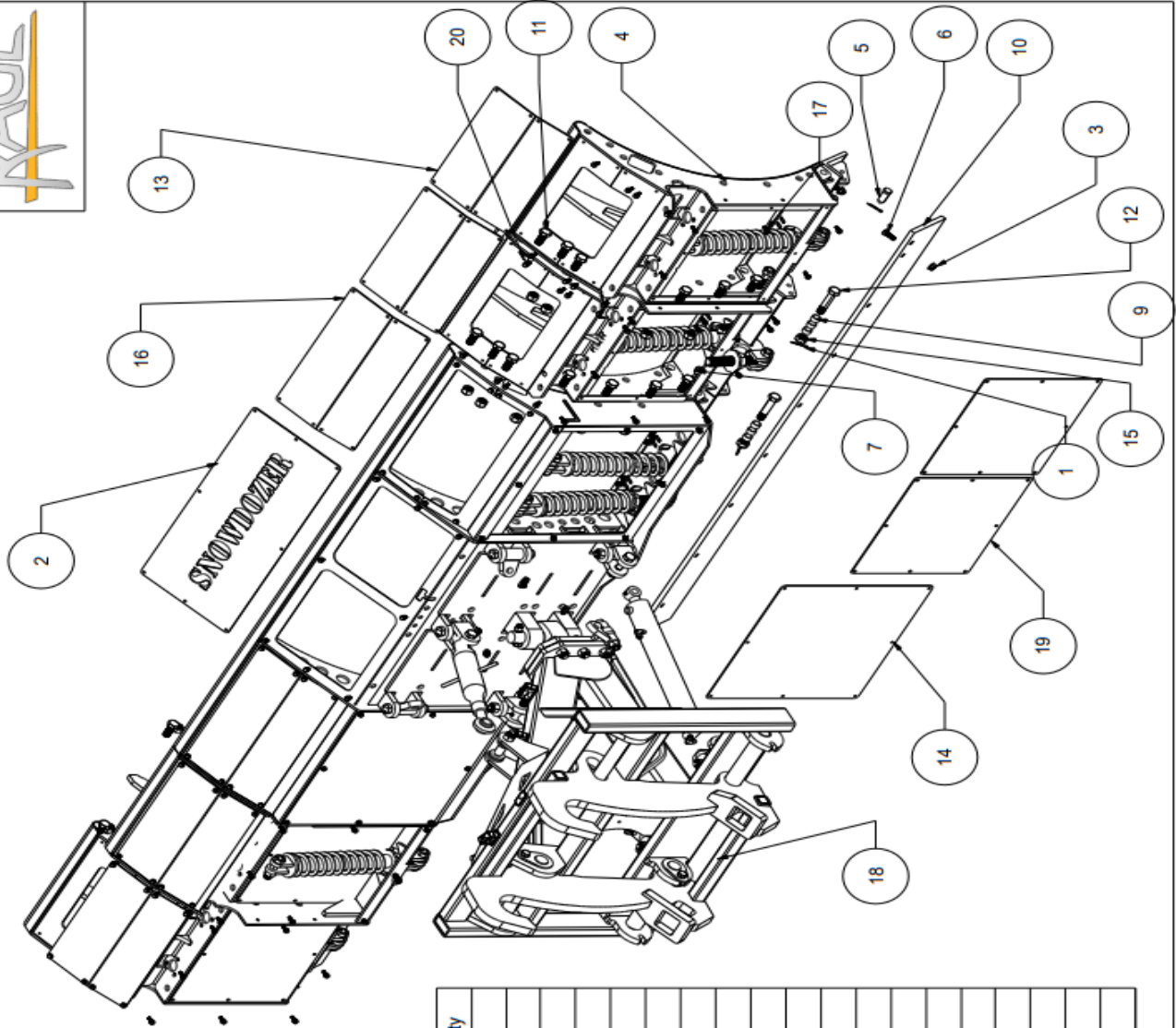


SnowDozer 14
BP14
 Version # 1
 Version Starting Serial #

Item	Part Name	Part Number	Quantity
1	Top Cover 36	TC36	2
2	Coiliter Pin 3/16 x 2	98338A516	4
3	Access Panel	AP100	1
4	Hex Nylock Nut 1-8	95615A320	14
5	Back Cover 36 Wing	BC36-W	2
6	Flange Locknut 5/8-11	3221357	18
7	Clevis Pin	98306A677	2
8	Plow Bolt 5/8-11 x 2"	90934A802	18
9	Hex Bolt GR8 1-8 x 3.5	91257A959	2
10	Stop Bushing	909-4	8
11	HEX BOLT GR8 1-8 x 2.25	92620A954	12
12	Hex Bolt GR8 1-8 x 4.75 w Hole	91257A964-K	2
13	Cutting edge 3/4" x 8" x 7"	SBCSD84	2
14	Back Cover 28 Aluminum	BC28	2
15	Section Moldboard Wing Assembly	SM3	2
16	Slotted Nut 1-8	97190A040-K8	2
17	Top Cover 28 Aluminum	TC28	2
18	Flange Hex Bolt 3/8-16 x 1 Self Tapping	93882A657	76
19	SnowDozer Center Blade Assembly	SDC8(HEG1)	1

Weight LBS 5114

Copyright Kage Innovation All Rights Reserved
 www.kageinnovation.com (844) 314-KAGE



Weight LBS 5527

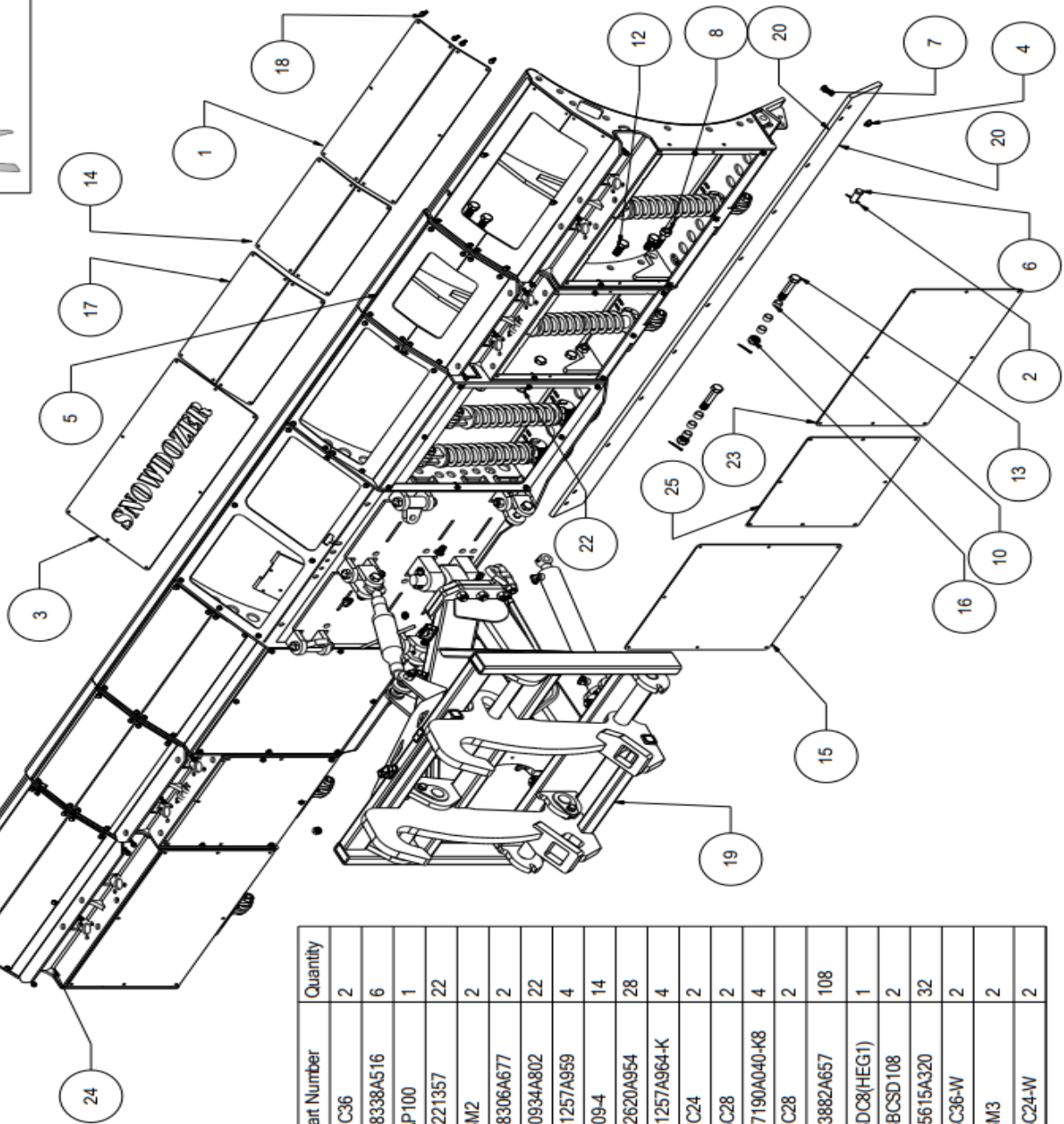
SnowDozer 16
BP16
 Version # 1
 Version Starting Serial #

Item	Part Name	Part Number	Quantity
1	Cotter Pin 3/16 x 2	98338A516	6
2	Access Panel	AP100	1
3	Flange Locknut 5/8-11	3221357	18
4	Section Moldboard Assembly 2	SM2	4
5	Clevis Pin	98306A677	2
6	Plow Bolt 5/8-11 x 2"	90934A802	18
7	Hex Bolt GR8 1-8 x 3.5	91257A959	4
9	Stop Bushing	909-4	14
10	Cutting edge 3/4" x 8" x 8'	SBCSD96	2
11	HEX BOLT GR8 1-8 x 2.25	92620A954	28
12	Hex Bolt GR8 1-8 x 4.75 w Hole	91257A964-K	4
13	Top Cover 24 Aluminum	TC24	4
14	Back Cover 28 Aluminum	BC28	2
15	Slotted Nut 1-8	97190A040-K8	4
16	Top Cover 28 Aluminum	TC28	2
17	Flange Hex Bolt 3/8-16 x 1 Self Tapping	93882A657	103
18	SnowDozer Center Blade Assembly	SDC8(HEG1)	1
19	Back Cover 24 Wing	BC24-W	4
20	Hex Nylock 1-8	95615A320	39

Copyright Kage Innovation All Rights Reserved www.kageinnovation.com (844) 314-KAGE



SnowDozer 18
BP18
 Version # 1
 Version Starting Serial #



Item	Part Name	Part Number	Quantity
1	Top Cover 36	TC36	2
2	Cotter Pin 3/16 x 2	98338A516	6
3	Access Panel	AP100	1
4	Flange Locknut 5/8-11	3221357	22
5	Section Moldboard Assembly 2	SM2	2
6	Clevis Pin	98306A677	2
7	Plow Bolt 5/8-11 x 2"	90934A802	22
8	Hex Bolt GR8 1-8 x 3.5	91257A959	4
10	Stop Bushing	909-4	14
12	HEX BOLT GR8 1-8 x 2.25	92620A954	28
13	Hex Bolt GR8 1-8 x 4.75 w Hole	91257A964-K	4
14	Top Cover 24 Aluminum	TC24	2
15	Back Cover 28 Aluminum	BC28	2
16	Slotted Nut 1-8	97190A040-K8	4
17	Top Cover 28 Aluminum	TC28	2
18	Flange Hex Bolt 3/8-16 x 1 Self Tapping	93882A657	108
19	SnowDozer Center Blade Assembly	SDC8(HEG1)	1
20	Cutting edge 3/4" x 8" x 9'	SBCSD108	2
22	Hex Nylock 1-8	95615A320	32
23	Back Cover 36 Wing	BC36-W	2
24	Section Moldboard Wing Assembly 3	SM3	2
25	Back Cover 24 Wing	BC24-W	2

Weight LBS 5722

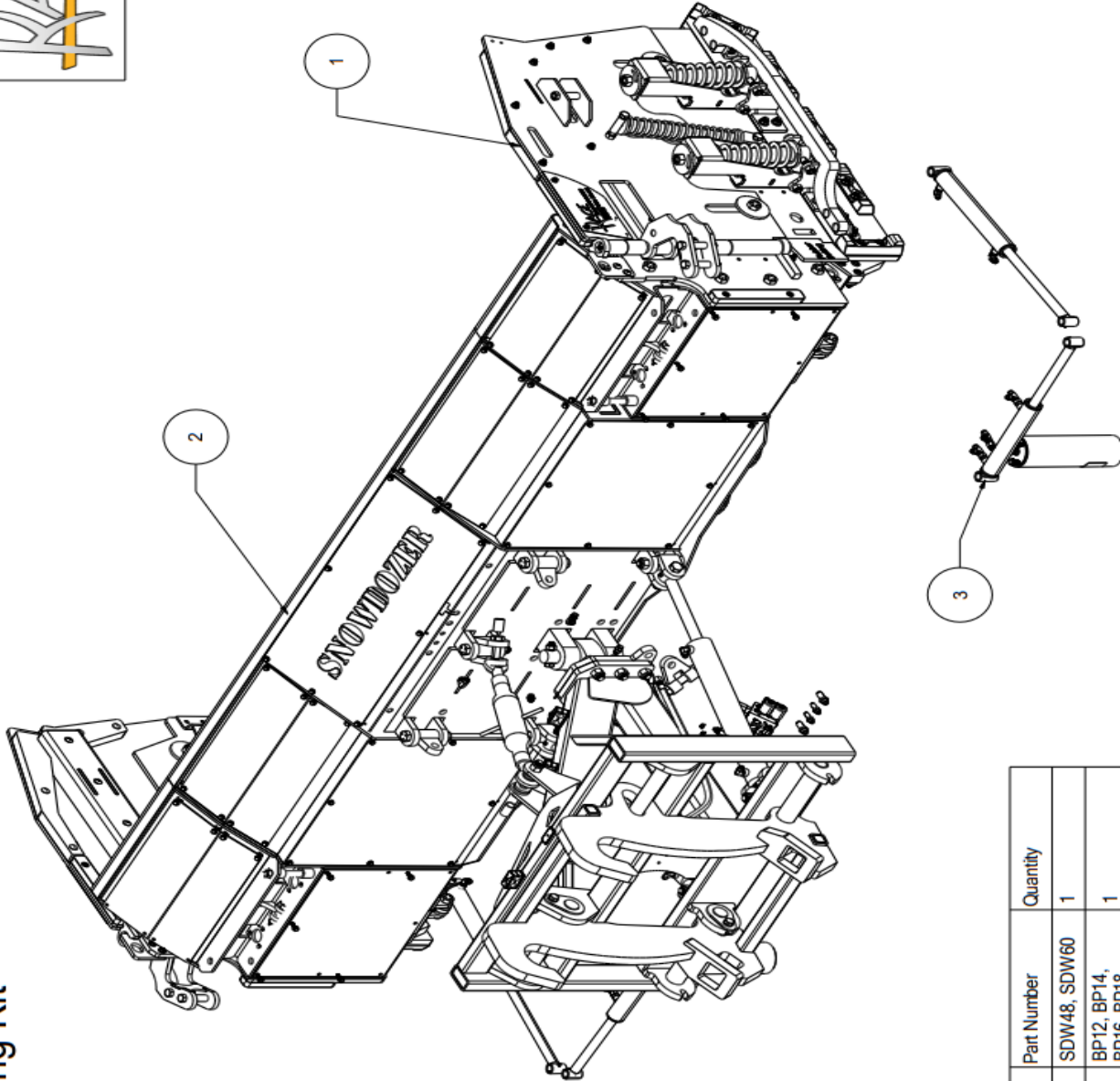
(844) 314-KAGE

www.kageinnovation.com

Copyright Kage Innovation All Rights Reserved

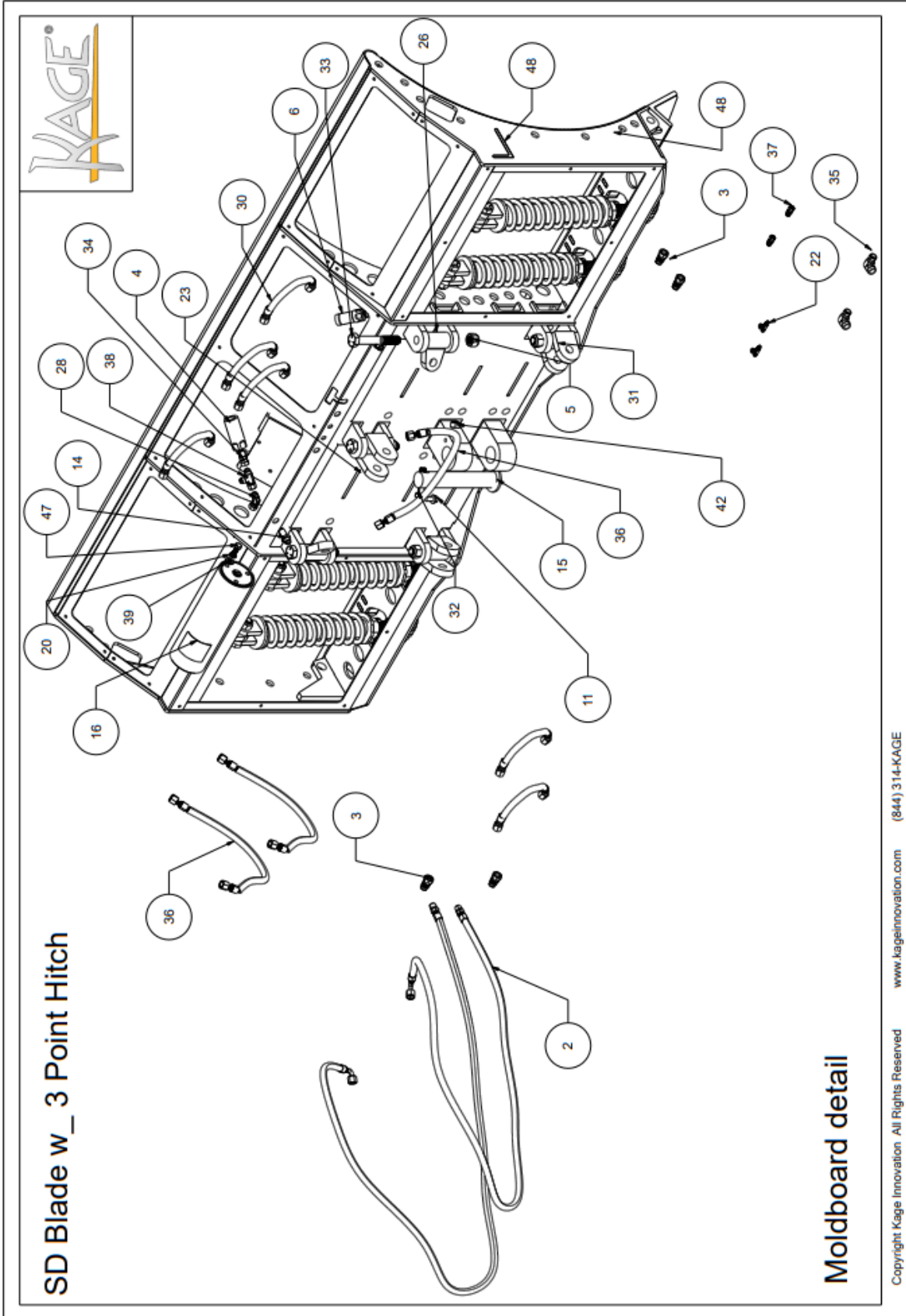


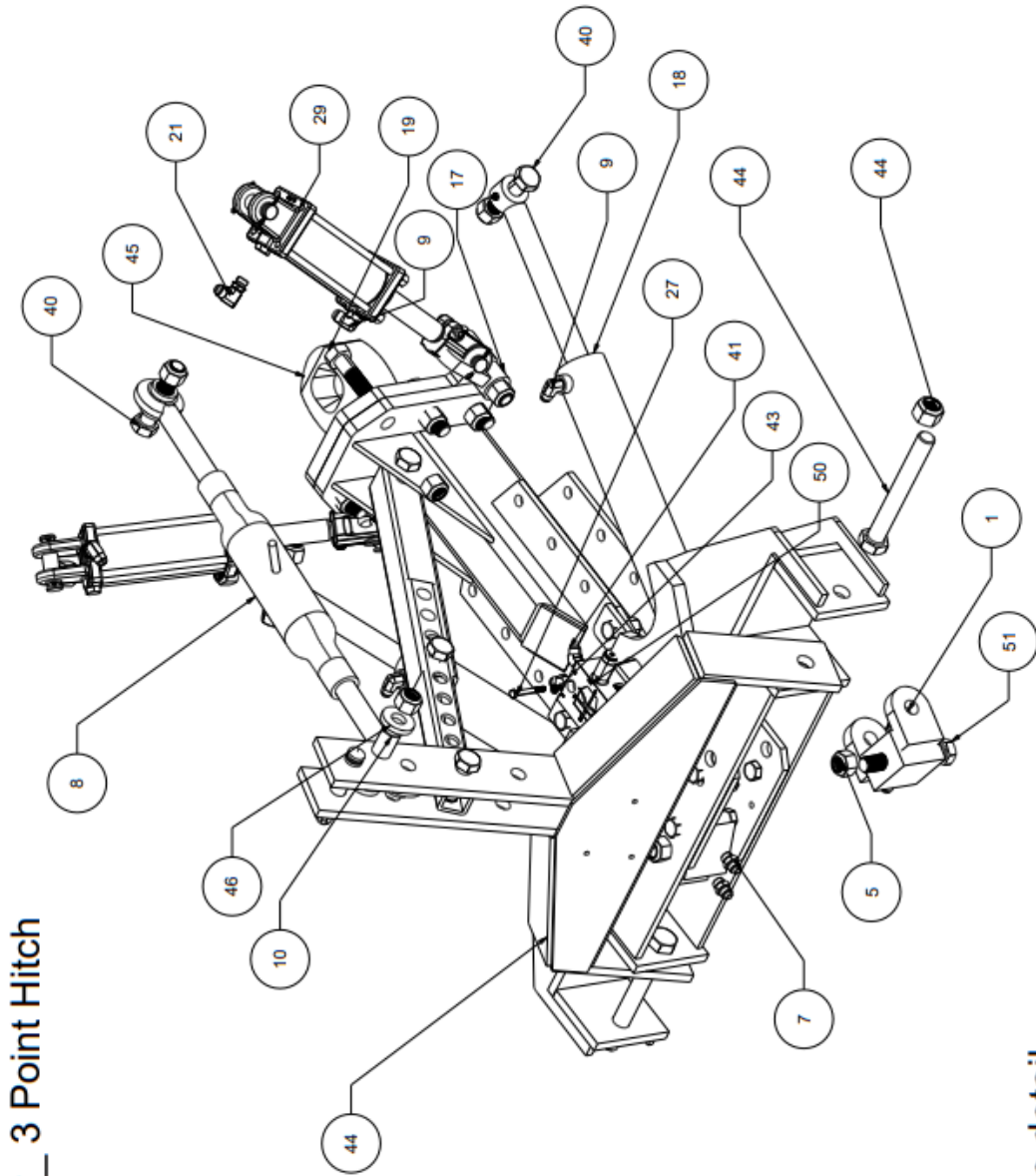
SnowDozer with Wing Kit
BPS{SIZEINFEET}



Item	Part Name	Part Number	Quantity
1	SnowDozer Wing Kit	SDW48, SDW60	1
2	SnowDozer	BP12, BP14, BP16, BP18	1
3	SnowDozer Wing Hydro Kit	WHK-SD	1

Copyright Kage Innovation All Rights Reserved www.kageinnovation.com (844) 314-KAGE





SD Blade w_ 3 Point Hitch

Pivot Frame detail

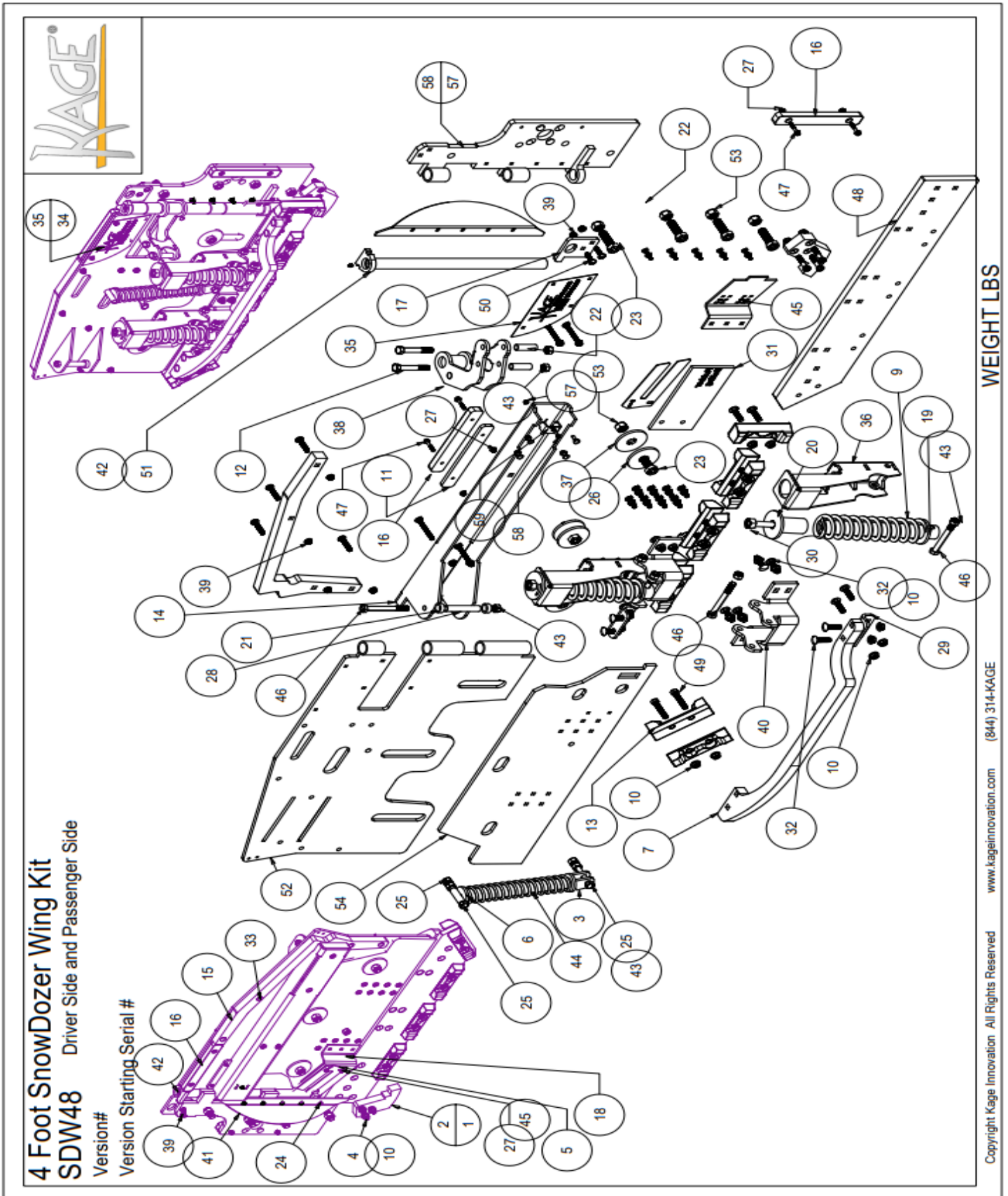
Copyright Kage Innovation All Rights Reserved www.kageinnovation.com (844) 314-KAGE



SD Blade w_ 3 Point Hitch

Item	Part Name	Part Number	Quantity	Item	Part Name	Part Number	Quantity
1	Cylinder Link Rear	CLR10	2	28	JIC 08 x JIC 08 Elbow 45	6502-08-08	2
2	Hydro Line, Pass	HY-707	2	29	Lift Cylinder Short	W300060-S	2
3	Male Ag Coupler	19-400	4	30	Crossover Line	HY-701-ORB	6
4	Hydro Coupler, Female	FEM-501-8FP-NL	1	31	Cylinder Link Front	CLF10	2
5	Hex Nylock Nut 1-8	95615A320	21	32	Hex Bolt GR8 3/4-10 x 3.25"	91257A848	1
6	Hydro Coupler, Male	FEM-502-8FP	1	33	Hex Bolt 1-8 x 6.5	91247A929	7
7	JIC x ORB Straight	6400-0-08-08	4	34	Female 08 JIC x Male 08 Pipe Adaptor	6505-08-08	2
8	Top Link CAT III	22530	1	35	Female JIC 08 x Female NPT 08 90Elbow	6503-08-08	2
9	JIC x Pipe 90 adaptor	2501-08-08	8	36	Hydro Line Cylinder Bridge	HY-209	3
10	CAT II Reducer Bushing	21192	2	37	JIC Extender Swivel 04x06	6504-04-06	2
11	Flange Hex Bolt 1/2 - 13 x 1	92979A463	1	38	JIC x JIC x JIC Tee	6602-08-08-08	2
12	Hex Bolt GR8 1-8 x 5.5	91257A967	2	39	Flat Washer 1/2	ROC-8071-033	6
14	JIC Bulkhead Union - Locknut 08x08	2700-08-08	2	40	Hex Bolt GR8 1-8 x 5	91257A965	3
15	King Pin Weldment	KPW16	1	41	ORB x JIC 45 Elbow	6802-NWO-08-08	2
16	Accumulator	A4N0116D656Q	2	42	CenterLocknut GR2 3/4-10	90040A147-K5	1
17	Oscillation Link	OLW10	2	43	Lockwasher, 5/16	ROC-8076-030	2
18	Hydraulic Cylinder 8320	PMC-8320	2	44	SD 3 Point Pivot Frame Kit	KT-560	1
19	Hex Bolt Gr8 1-8 x 3.5	91257A959	6	45	Pivot Frame Adaptor	PFA4	1
20	Split Lockwasher, 1/2	ROC-8076-033	6	46	1-.375 washer	13W	2
21	Elbow 90 1/2 MJIC x 1/2 MSAE	6801-NWO-08-08	2	47	Hex Bolt 1/2 - 20 x 1	92865A352	6
22	JIC Tee 04 x 04 x 04	6600-04-04-04	2	48	Moldboard Assembly 8	SDM8	1
23	Cylinder Link Center	CLC10	1	50	Crossover Valve 2500	CRV-2500	1
26	Cylinder Link Tit	CLT10	2	51	Hex Bolt GR8 1-8 x 6.5	91257A970	2
27	Hex Bolt GR5 5/16-18 x 2.5	91247A593	2				

Copyright Kage Innovation All Rights Reserved www.kageinnovation.com (844) 314-KAGE

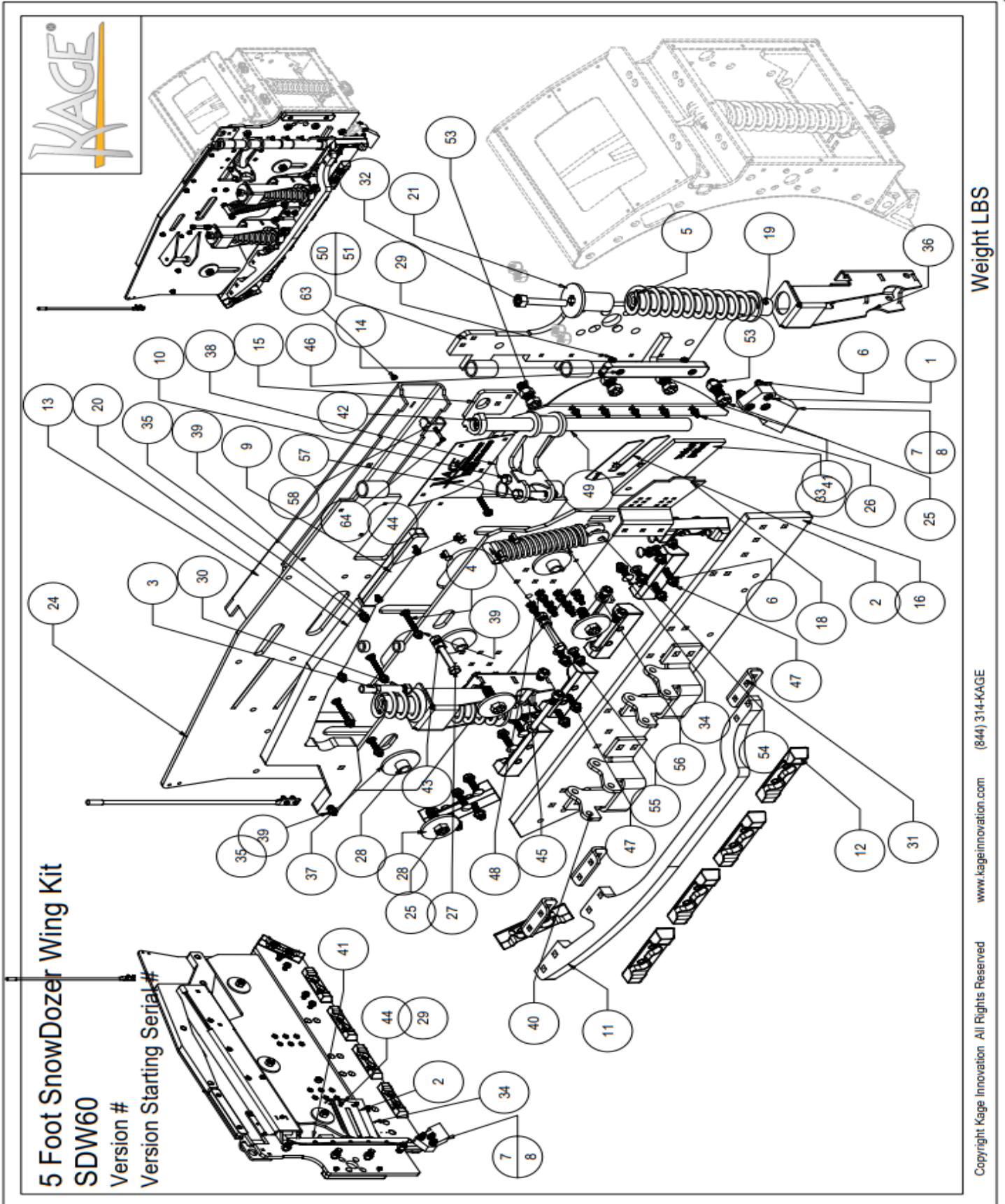




SNOW DOZER KIT 4' BILL OF MATERIALS LISTING

Item	Part Name	Part Number	Quantity	Item	Part Name	Part Number	Quantity
1	Hinge Block	200-9700	2	31	SD Wing Snow Catch	200-7500	2
2	Hinge Block AE	200-9710	2	32	Carriage Bolt 5/8-11 x 2.5	90185A814	36
3	Spring Bottom L	SP800	2	33	Carriage bolt 1/2 - 13 x 2.5	90185A722	8
4	Plow Bolt 5/8-11 x 3	90934A806	6	34	SnowDozer Wing Emblem Driver	200-4110	1
5	Snow Catch Angle Spring	SCAS125	2	35	SnowDozer Wing Emblem Passenger	200-4112	1
6	Spring Top L	SP900	2	36	Spring Tower Weldment	200-7800	4
7	Rub Bar 48	200-2400	2	37	Super Slide Washer	200-7599	6
8	Carriage Bolt 1_2-13 x 4.5	90185A732	8	38	Cylinder Swing Arm	200-4900	2
9	SS Coil Spring	5890032	4	39	Flange Locknut 1/2 - 13	RF12130FZ	52
10	Flange Locknut 5/8-11	3221357	58	40	Trip Box	200-9300	4
11	Isolator Spacer 1_2	200-4600	2	41	Wing Clam	200-7887	2
12	Hex Bolt GR9 3/4-10 x 5	90201A660	4	42	Grease Zerk, 3/8-24	1095K96	2
13	SF Curb Guard	100-11	18	43	CenterLocknut GR2 3/4-10	90040A147-K5	22
14	Cylinder Channel	200-7600	2	44	Spring 17	SP21	2
15	Tip Support	200-7900	2	45	Carriage Bolt GR5 3/8-16 x 1.25	ROC-2131-626	12
16	Isolator	N24-2	4	46	Hex Bolt GR5 3/4-10 x 7	91247A861	10
17	Wing Pin Retainer	200-8625	2	47	Flange Hex Bolt Gr5 3/8-16 x 2	92979A36-K	8
18	SD Wing SnowCatch Bracket	200-9766	2	48	Wing Cutting Edge 48	200-4800	2
19	Single Tower Spring Tube	200-1600	4	49	Hex Bolt GR8 5/8-11 x 3.5	92620A808	16
20	Spring Puck	200-7300	4	50	Carriage Bolt Gr5 1/2-13 x 2	90185A720	36
21	Wing Cylinder Bushing	200-4669	4	51	Wing Pin Weldment	400-2009	2
22	Cylinder Bushing Wing SS	200-9334	4	52	4 FT SD Wing Side Panel Weldment	200-1200	2
23	Hex Bolt Gr8 1-8 x 3.25	92620A959	14	53	Hex Nylock 1-8	95615A320	14
24	Carriage Bolt GR5 3_8-16 x 2	90185A632	6	54	SD Float Plate	200-8900	2
25	Hex Bolt GR8 3/4-10 x 5.5	91257A857	4	55	Driver Hinge Adapter	200-8100	1
26	T Washer	200-1400	6	56	Passenger Hinge Adapter	200-8200	1
27	Flange Locknut, 3_8 -16	93298A130	26	57	Flange Locknut 5/16-18	92018A320	1
28	Cylinder Bushing Wing	200-7774	2	58	Hex Bolt GR5 5/16 - 18 x 2	91247A591	1
29	Cutting Edge Bracket	200-9200	4	59	Hose Clamp 2 IN	200-7991	1
30	Spring Bolt	23-000	4				

Copyright Kage Innovation All Rights Reserved www.kageinnovation.com (844) 314-KAGE






SNOW DOZER KIT 5' BILL OF MATERIALS LISTING

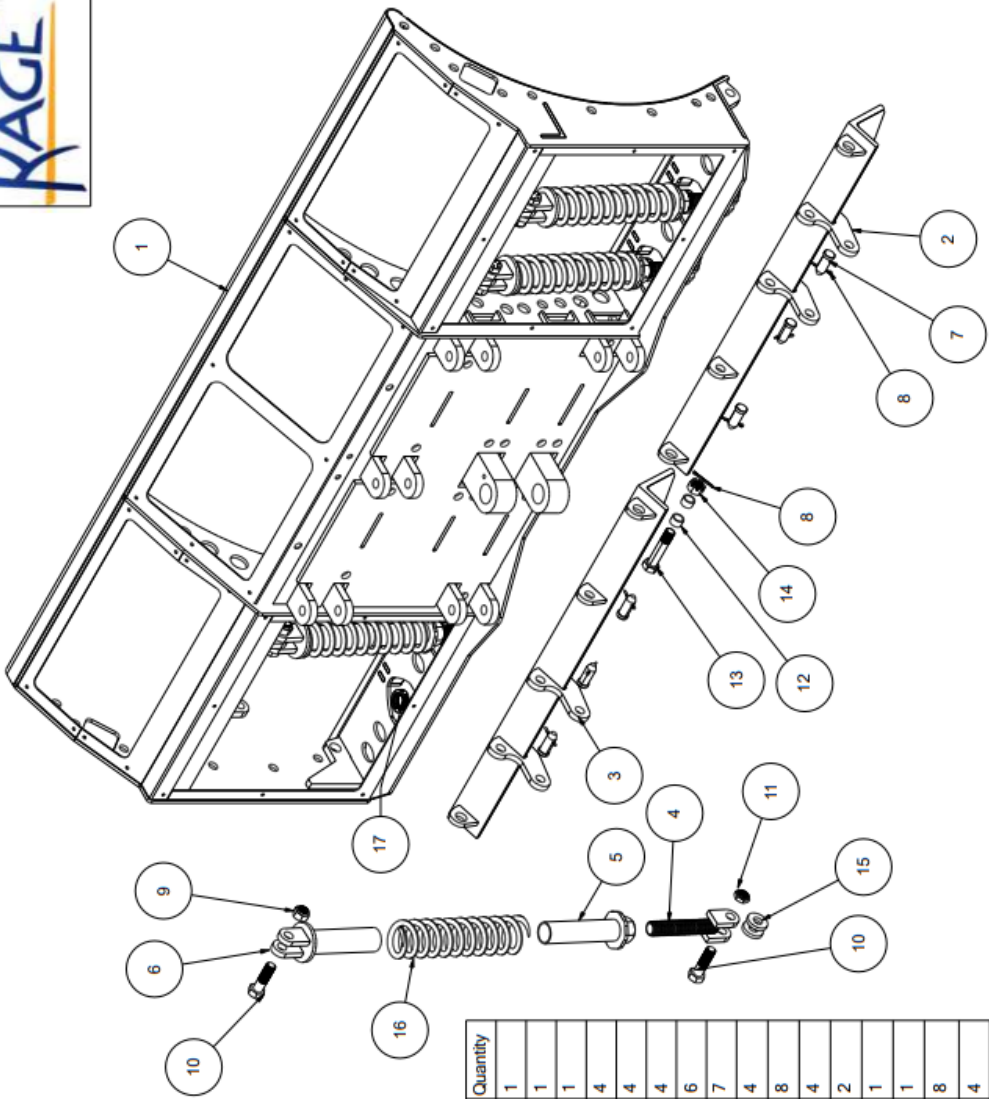
Both passenger and driver sides included in kit

Item	Part Name	Part Number	Quantity
1	Plow Bolt 5/8-11 x 3	90934A806	6
2	Snow Catch Angle Spring	SCAS125	2
3	Hex Bolt Gr8 3/4-10 x 4.5	91257A852	2
4	Carriage Bolt 1_2-13 x 4.5	90185A732	8
5	SS Coil Spring	5890032	4
6	Flange Locknut 5/8-11	3221357	54
7	Hinge Block	200-9700	2
8	Hinge Block AE	200-9710	2
9	Isolator Spacer 1_2	200-4600	2
10	Hex Bolt GR9 3/4-10 x 5	90201A660	4
11	Rub Bar 60	200-2500	2
12	SF Curb Guard	100-11	22
13	Cylinder Channel	200-7600	2
14	Isolator	N24-2	4
15	Wing Pin Retainer	200-8625	2
16	Wing Cutting Edge 60	200-6000	2
17	5 FT SD Float Plate	200-8950	2
18	SD Wing SnowCatch Bracket	200-9766	2
19	Single Tower Spring Tube	200-1600	4
20	5 FT Tip Support	200-7950	2
21	Spring Puck	200-7300	4
22	Wing Cylinder Bushing	200-4669	4
23	Plow Guide	W-1578	2
24	5 FT SD Wing Side Panel Weldment	200-1300	2
25	Hex Bolt Gr8 1-8 x 3.25	92620A959	14
26	Grade 5 Steel Square-Neck Carriage Bolt	90185A632	10
27	Hex Bolt GR8 3/4-10 x 5.5	91257A857	4
28	T Washer	200-1400	6
29	Flange Locknut_3_8-16	93298A130	30
30	Cylinder Bushing Wing	200-7774	2
31	Cutting Edge Bracket	200-9200	6
32	Spring Bolt	23-000	4
33	SD Wing Snow Catch	200-7500	2
34	Carriage Bolt 5/8-11 x 2.5	90185A814	36

Item	Part Name	Part Number	Quantity
35	Carriage bolt 1/2 - 13 x 2.5	90185A722	8
36	Spring Tower Weldment	200-7800	4
37	Super Slide Washer	200-7599	6
38	Cylinder Swing Arm	200-4900	2
39	Flange Locknut 1/2 - 13	RF12130FZ	40
40	Trip Box	200-9300	4
41	Wing Clam	200-7887	2
42	Grease Zerk, 3/8-24	1095K96	2
43	CenterLocknut GR2 3/4-10	90040A147-K5	22
44	Carriage Bolt GR5 3/8-16 x 1.25	ROC-2131-626	12
45	Hex Bolt GR5 3/4-10 x 7	91247A861	8
46	Flange Hex Bolt Gr5 3/8-16 x 2	92979A36-K	8
47	Hex Bolt GR8 5/8-11 x 3.5	92620A808	12
48	Carriage Bolt Gr5 1/2-13 x 2	90185A720	24
49	Wing Pin Weldment	400-2009	2
50	Passenger Hinge Adapter	200-8200	1
51	Driver Hinge Adapter	200-8100	1
52	Hex Nut GR5 1/2-13	95462A033	4
53	Hex Nylock 1-8	95615A320	14
54	Spring Bottom L	SP800	2
55	Spring Top L	SP900	2
56	Spring 17	SP21	2
57	Cylinder Bushing Wing SS	200-9334	4
58	Hose Clamp 2 IN		2
59	SnowDozer Wing Emblem Passenger	200-4112	1
60	SnowDozer Wing Emblem Driver	200-4110	1
63	Flange Locknut 5/16-18	92018A320	1
64	Hex Bolt GR5 5/16 - 18 x 2	91247A591	1



Moldboard Assembly 8
SDM8
Version#
Version Starting Serial #



WEIGHT LBS

Item	Part Name	Part Number	Quantity
1	Moldboard Weldment 8	BPMW8	1
2	Base Angle 48 Weldment Passenger	BA48WP	1
3	Base Angle 48 Weldment Driver	BA48WD	1
4	Trip Spring Rod Weldment	TSRW	4
5	Spring Bottom 16	SB16-8	4
6	Spring Top 16	ST16-8	4
7	Clevis Pin	98306A677	6
8	Cotter Pin 3/16 x 2	98338A516	7
9	Hex Nylock 1-8	95615A320	4
10	Hex Bolt GR8 1-8 x 3.5	91257A959	8
11	1-8 Thin Hex Nylock Nut G15	91342A260	4
12	Stop Bushing	909-4	2
13	Hex Bolt GR8 1-8 x 4.75 w Hole	91257A964-K	1
14	Slotted Nut 1-8	97190A040-K8	1
15	1-.375 washer	13W	8
16	SS Coil Spring	5890032	4
17	Two-Piece Clamping Acme Lead Screw Collar	2207N18	4

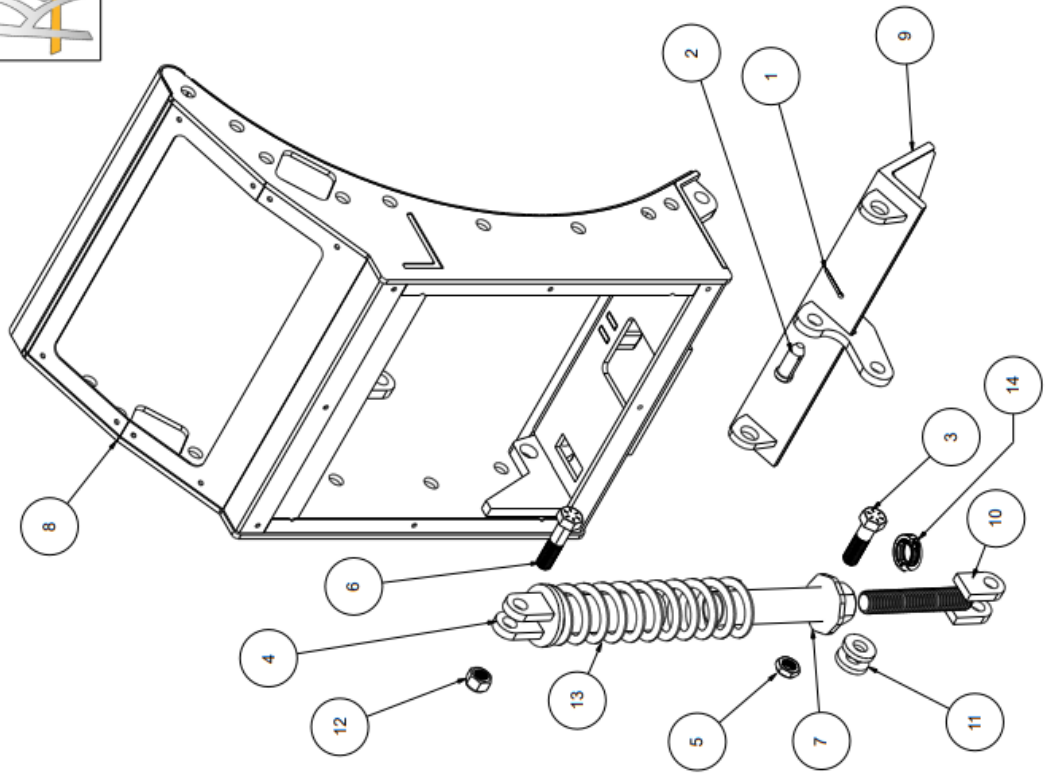
Copyright Kage Innovation. All Rights Reserved. www.kageinnovation.com (844) 314-KAGE



Section Moldboard Assembly 2

SM2

Version#
Version Starting Serial #



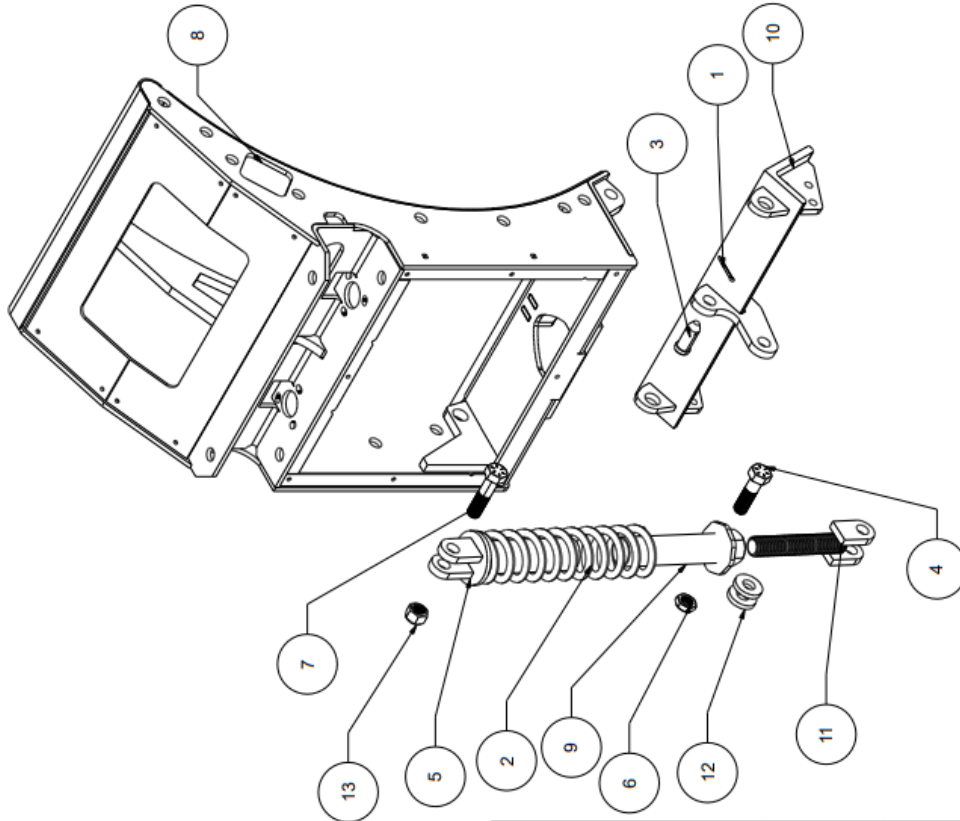
Item	Part Name	Part Number	Quantity	Alibre Part Revision
1	Cotter Pin 3/16 x 2	98338A516	1	BLANK
2	Clevis Pin	98306A677	1	52
3	Hex Bolt Gr8 1-8 x 3.5	91257A959	1	1
4	Spring Top 16	ST 16-8	1	3
5	1-8 Thin Hex Nylock Nut G5	91342A260	1	BLANK
6	Hex Bolt Gr8 1-8 x 4	91257A961	1	1
7	Spring Bottom 16	SB16-8	1	3
8	Section Moldboard Weldment 2	SMW2	1	
9	Base Angle 24 Weldment	BA24W	1	1
10	Trip Spring Rod Weldment	TSRW	1	3
11	1-.375 washer	13W	2	46
12	Hex Nylock 1-8	95615A320	1	BLANK
13	SS Coil Spring	5890032	1	2
14	Clamping Acme Lead Screw Collar	2207N18	1	1

WEIGHT LBS

Copyright Kage Innovation All Rights Reserved www.kageinnovation.com (844) 314-KAGE




Section Moldboard Wing Assembly 2
SM2-W
 Version # WING
 Version Starting Serial #

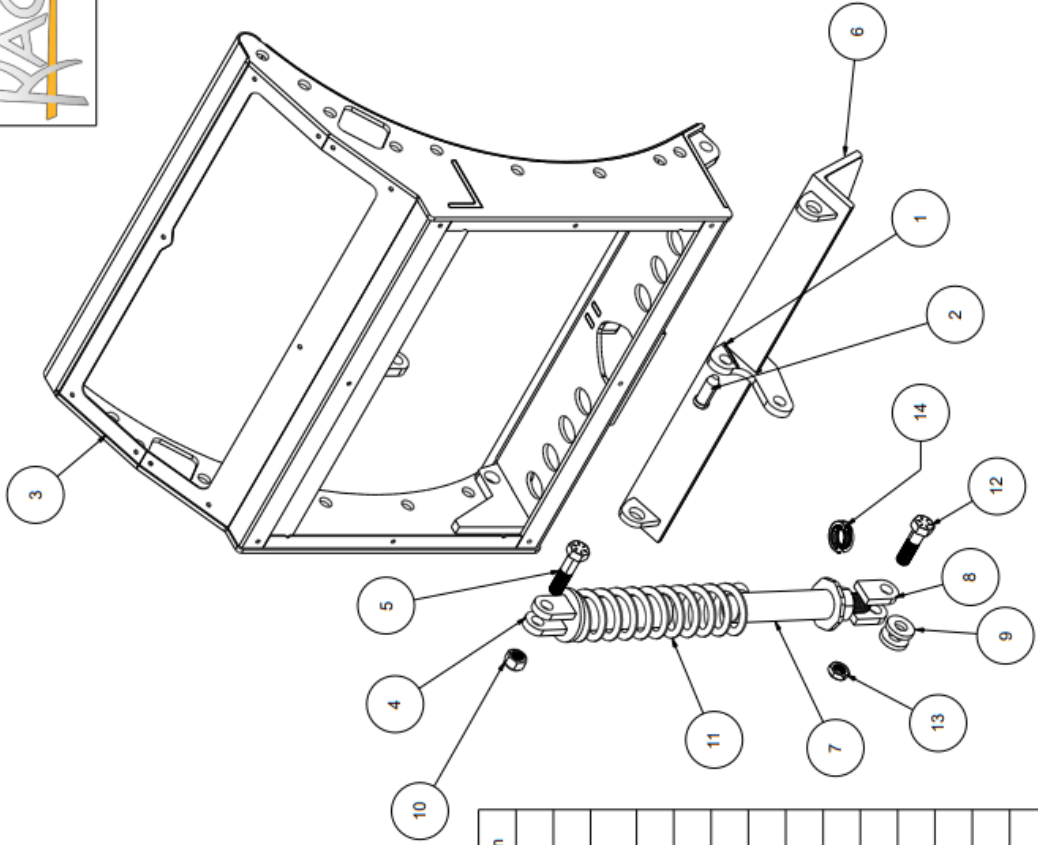


Item	Part Name	Part Number	Quantity
1	Cotter Pin 3/16 x 2	98338A516	1
2	SS Coil Spring	5890032	1
3	Clevis Pin	98306A677	1
4	Hex Bolt Gr8 1-8 x 3.5	91257A959	1
5	Spring Top 16	ST 16-8	1
6	1-8 Thin Hex Nylock Nut Gr5	91342A260	1
7	Hex Bolt Gr8 1-8 x 4	91257A961	1
8	Section Moldboard Wing Weldment	SMW2-W	1
9	Spring Bottom 16	SB16-8	1
10	Base Angle 24 Weldment	BA24W	1
11	Trip Spring Rod Weldment	TSRW	1
12	1-375 washer	13W	2
13	Hex Nylock 1-8	95615A320	1

Weight LBS

Copyright Kage Innovation All Rights Reserved www.kageinnovation.com (844) 314-KAGE






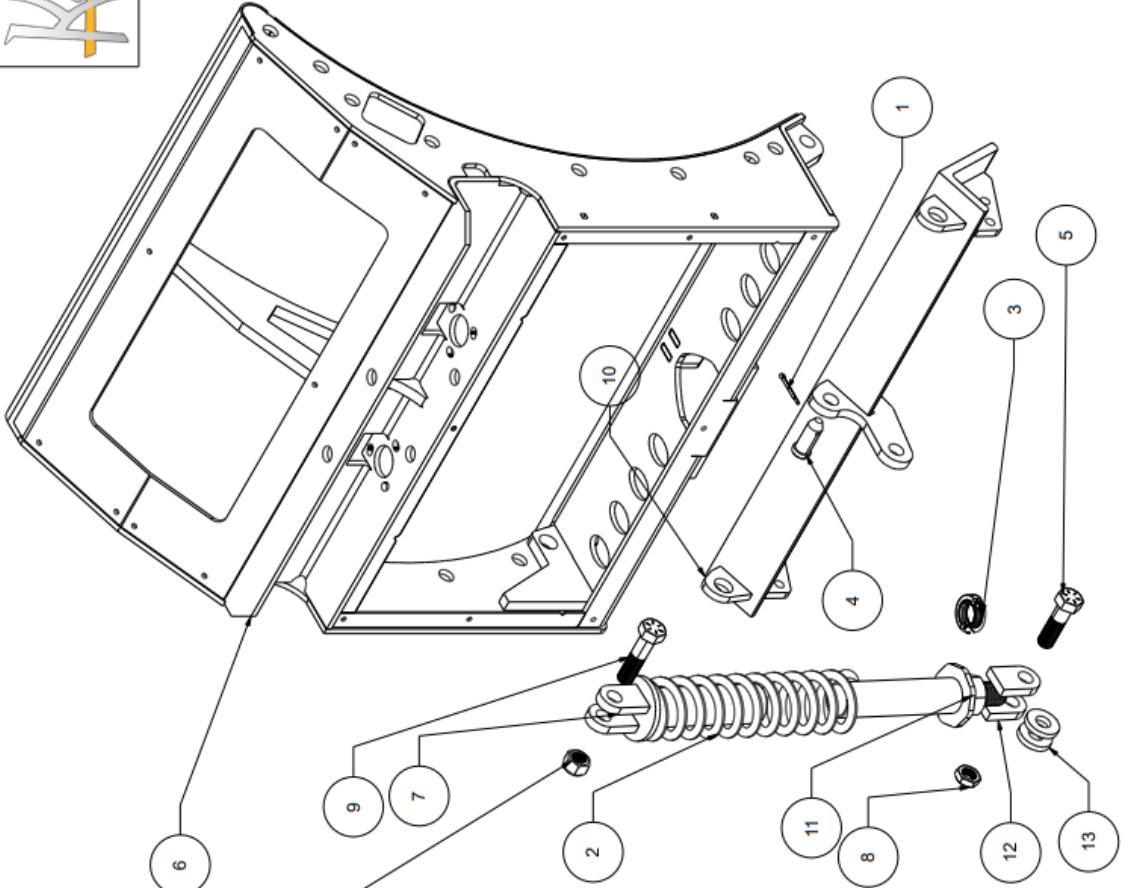
WEIGHT LBS

Section Moldboard Assembly 3
SM3
 Version#
 Version Starting Serial #

Item	Part Name	Part Number	Quantity	Alibre Part Revision
1	Cotter Pin 3/16 x 2	98338A516	1	BLANK
2	Clevis Pin	98306A677	1	52
3	Section Moldboard Weldment	SMW3	1	1
4	Spring Top 16	ST16-8	1	3
5	Hex Bolt G8 1-8 x 4	91257A961	1	1
6	Base Angle 36 Weldment	BA36W	1	1
7	Spring Bottom 16	SB16-8	1	3
8	Trip Spring Rod Weldment	TSRW	1	3
9	1-.375 washer	13W	2	46
10	Hex Nylock 1-8	95615A320	1	BLANK
11	SS Coil Spring	5890032	1	2
12	Hex Bolt G8 1-8 x 3.5	91257A959	1	1
13	1-8 Thin Hex Nylock Nut G5	91342A260	1	BLANK
14	Two-Piece Clamping Acme Lead Screw Collar	2207N18	1	1

Copyright Kage Innovation. All Rights Reserved. www.kageinnovation.com (844) 314-KAGE





Weight LBS

Section Moldboard Wing Assembly 3
SM3-W
 Version #
 Version Starting Serial #

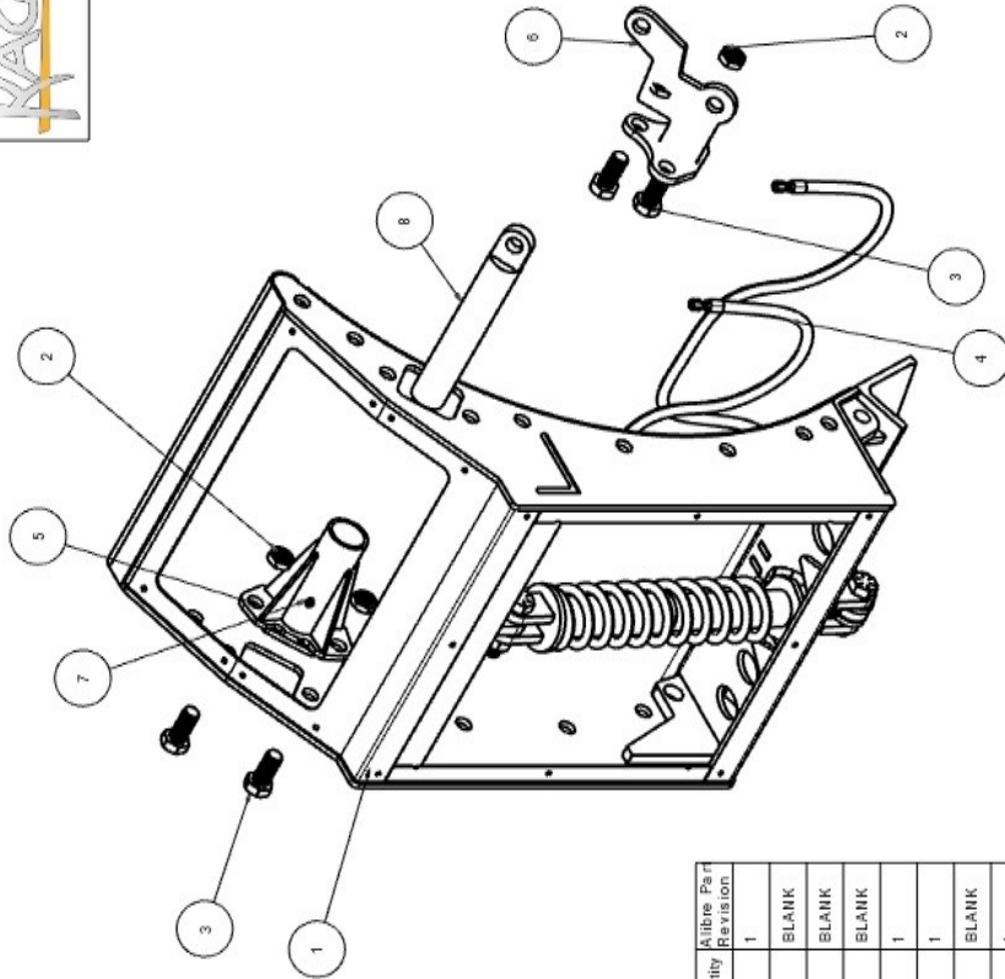
Item	Part Name	Part Number	Quantity
1	Cotter Pin 3/16 x 2	98338A516	1
2	SS Coil Spring	5890032	1
3	Two-Piece Clamping Acme Lead Screw Collar	2207N18	1
4	Clevis Pin	98306A677	1
5	Hex Bolt Gr8 1-8 x 3.5	91257A959	1
6	Section Moldboard Wing Weldment	SMW3-W	1
7	Spring Top 16	ST16-8	1
8	1-8 Thin Hex Nylock Nut Gr5	91342A260	1
9	Hex Bolt Gr8 1-8 x 4	91257A961	1
10	Base Angle 36 Weldment	BA36W	1
11	Spring Bottom 16	SB16-8	1
12	Trip Spring Rod Weldment	TSRW	1
13	1-.375 washer	13W	2
14	Hex Nylock 1-8	95615A320	1
15	Panel Backer Top 36	200-8777	1

Copyright Kage Innovation All Rights Reserved www.kageinnovation.com (844) 314-KAGE



**Section Moldboard Assembly Driver 2
SMD2**

Version#
Version Starting Serial #



Item	Part Name	Part Number	Quantity	Altire Part Revision
1	Section Moldboard Assembly 2	SM2	1	1
2	1-8 Thin Hex Nylock Nut Gr5	91342A260	4	BLANK
3	HEX BOLT GR8 1-8 x 2.25	92620A954	4	BLANK
4	Line, Dist Block to Bulkhead LC	1-670	2	BLANK
5	Pin Block Weldment	PBW1	1	1
6	Lock Cylinder Weldment	LCPI	1	1
7	Grease Zerk, 3/8-24	1095K96	1	BLANK
8	Locking Pin Weldment	LPW13375	1	1

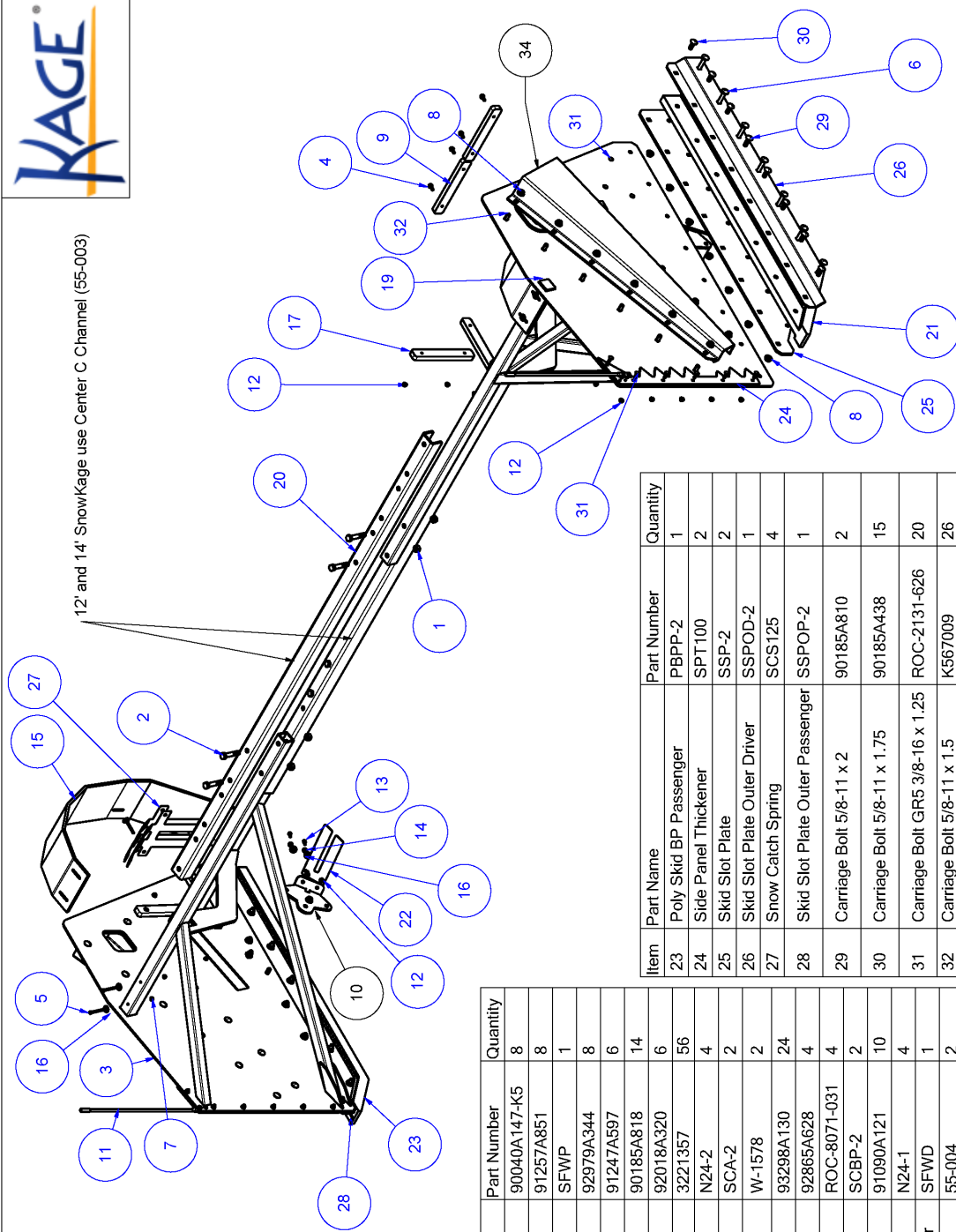
WEIGHT LBS

Copyright © Kage Innovation. All Rights Reserved. www.kageinnovation.com (844) 314-KAGE



SnowKage 16
BPSK16
 Version#
 Version Starting Serial #

12' and 14' SnowKage use Center C Channel (55-003)



Item	Part Name	Part Number	Quantity
1	Center Locknut GR2 3/4-10	90040A147-K5	8
2	Hex Bolt GR8 3/4-10 x 4"	91257A851	8
3	Side Frame Weldment Pass	SFWP	1
4	Flange Hex Bolt 3/8 - 16 x 1	92979A344	8
5	Hex Bolt 5/16-18 x 3.5"	91247A597	6
6	Carriage Bolt 5/8-11 x 3	90185A818	14
7	Flange Locknut 5/16-18	92018A320	6
8	Flange Locknut 5/8-11	3221357	56
9	Isolator	N24-2	4
10	Snow Catch Angle	SCA-2	2
11	Plow Guide	W-1578	2
12	Flange Locknut, 3 - 8 - 16	93298A130	24
13	Hex Bolt GR5 3/8-16 x 1.5	92865A628	4
14	Flat Washer 3/8	ROC-8071-031	4
15	Snow Catch BP	SCBP-2	2
16	Fender Washer, 3/8	91090A121	10
17	Isolator Black	N24-1	4
19	Side Frame Weldment Driver	SFWD	1
20	Center C Channel Long	55-004	2
21	Poly Skid BP Driver	PBPD-2	1
22	Snow Catch Angle Spring	SCAS125	2
23	Poly Skid BP Passenger	PBPP-2	1
24	Side Panel Thickener	SPT100	2
25	Skid Slot Plate	SSP-2	2
26	Skid Slot Plate Outer Driver	SSPOD-2	1
27	Snow Catch Spring	SCS125	4
28	Skid Slot Plate Outer Passenger	SSPOP-2	1
29	Carriage Bolt 5/8-11 x 2	90185A810	2
30	Carriage Bolt 5/8-11 x 1.75	90185A438	15
31	Carriage Bolt GR5 3/8-16 x 1.25	ROC-2131-626	20
32	Carriage Bolt 5/8-11 x 1.5	K567009	26
34	Side Panel Support	SPS20	2

WEIGHT LBS

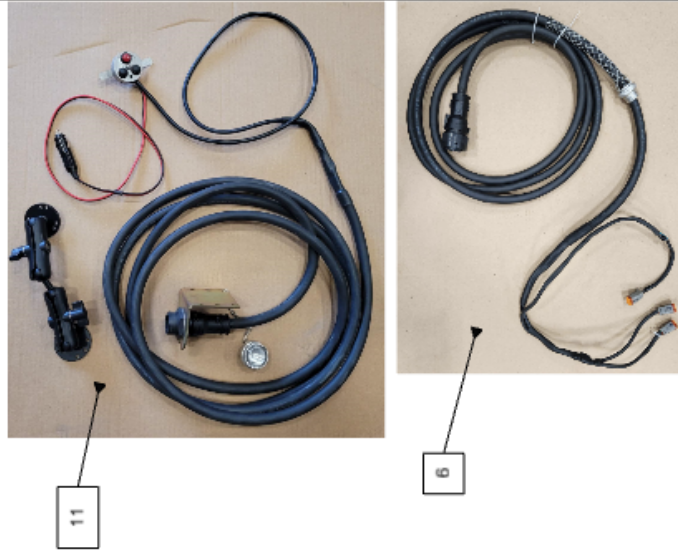
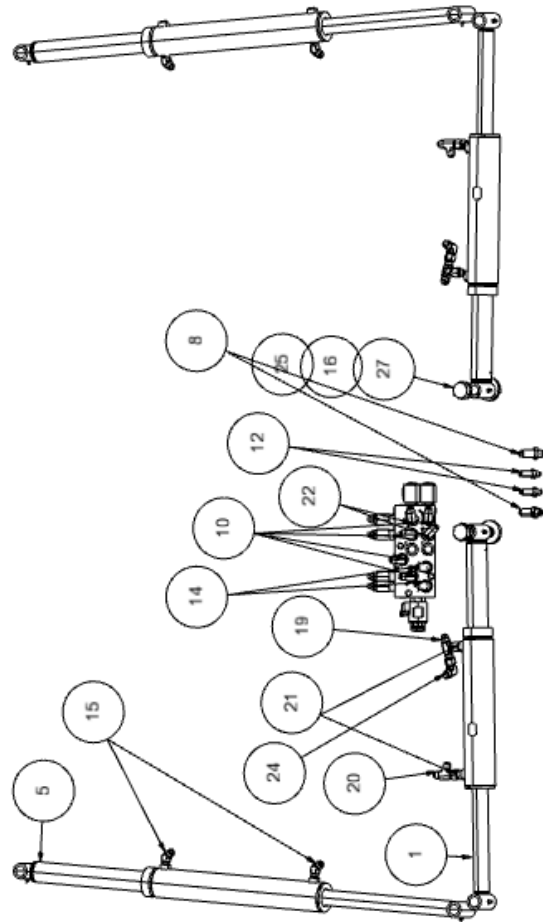
Copyright Kage Innovation All Rights Reserved www.kageinnovation.com (844) 314-KAGE

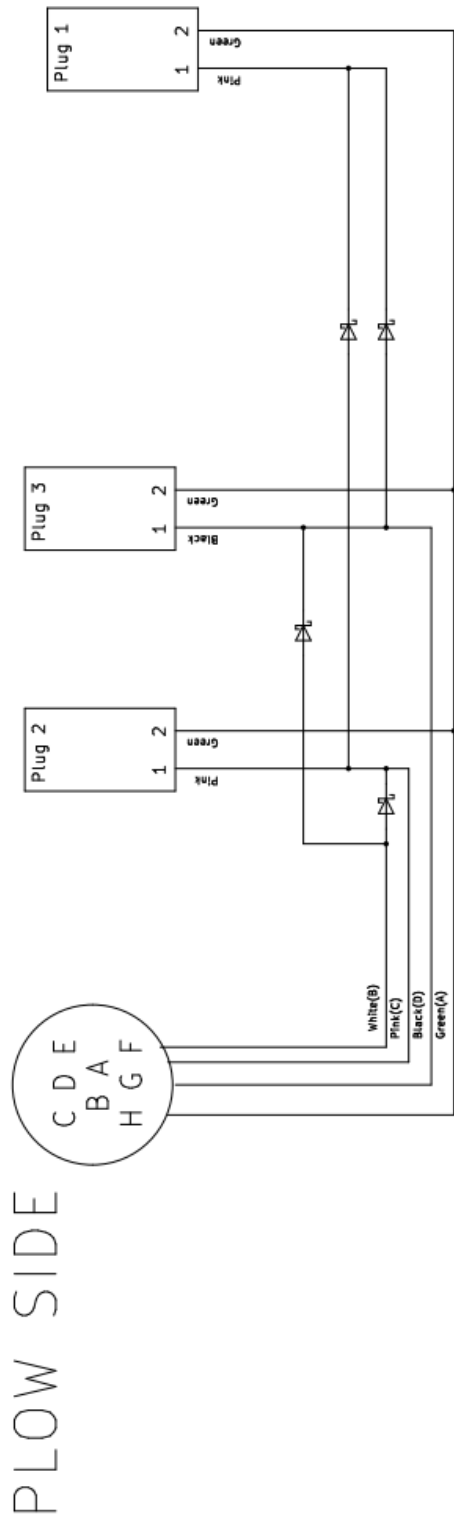


SnowDozer Wing Hydro Kit

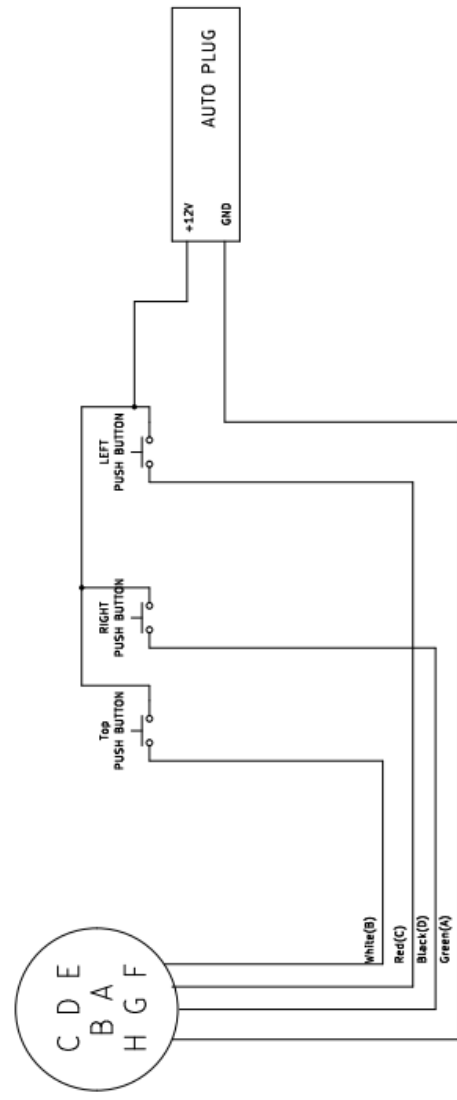
Item	Part Name	Part Number	QTY
1	Wing Cylinder 2.5 x 26.25 x 10	K-24-3865-10	2
2	Hydro Coupler, Female	FEM-501-8FP-NL	1
3	Line Turn Cylinder to Bulkhead	HY-401	2
4	Hydro Coupler, Male	FEM-502-8FP	1
5	Wing Cylinder 2.5 x 34.25 x 14	K-24-3865-14	2
6	Wing Harness Plow Side	PWS-D1100	1
7	Transfer Line	1-640	2
8	JIC Bulkhead Union - Locknut 08x08	2700-08-08	2
9	Fold Retract Line	HY-409	2
10	Elbow 90 1/2 MJIC x 1/2 MSAE	6801-NWO-08-08	4
11	Wing Harness Machine Side	MWSD1100	1
12	JIC Bulkhead 06	2700-LN-06-06	2
13	Flange Locknut 3_8 -16	93298A130	3
14	Elbow Adapter 06x08	6801-06-08	2
15	JIC to O-Ring Elbow 45	6802-08-06	4
16	Lockwasher 1"	91102A038	2

Item	Part Name	Part Number	QTY
17	Wing Valve	F15179A1-XX_REVA	1
18	Hydro Line Cylinder Bridge	HY-209	2
19	JIC Swivel Branch Tee	6600-08-08-08	2
20	JIC x JIC x JIC Tee	6602-08-08-08	2
21	08 JIC x 06 SAE Nipple Adapter	6400-08-06	4
22	08 JIC to 08 O-Ring Swivel Elbow 90°	6801-S-08-08	2
23	Hex Bolt 3/8-16 x 4	92865A641	3
24	JIC 90 Elbow 08 x 08	6500-08-08	2
25	1-.375 washer	13W	2
26	O-Ring Hollow Hex Plug 08	6408-HHP-08	2
27	Hex Bolt GR8 1-8 x 7	91257A973	2
28	Hydro Line Mid-Front	HY-307	6



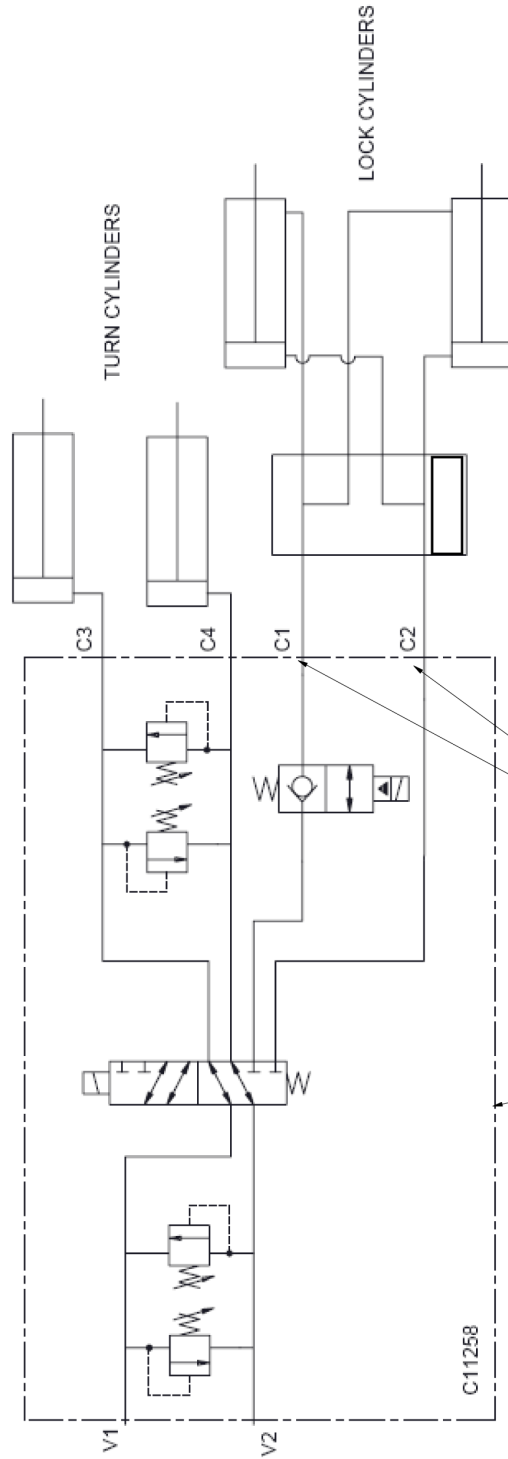


TRACTOR SIDE





Hydraulic Schematic for SnowStorm Angle and Hydro Clamp Functions



Valve Body

Note that the orientation of these two ports is particular to the extend / retract operation of the hydro lock cylinders.

Kage Limited Warranty

Kage Innovation will repair or, at the option of Kage Innovation, replace those parts which prove defective due to material or workmanship under normal use for a period of two (2) years from the date of retail sale or date of invoice from Kage Innovation, whichever is later. Expendable items, such as rubber, or polyurethane are excluded from this warranty.

Kage Innovation warrants that the products manufactured by us to be in accordance with our published specifications or those specifications agreed to by us in writing at the time of sale. The obligation of Kage Innovation is expressly limited to repairing or replacing, at its option, any product not meeting such specifications within the warranty period.

LIMITATIONS OF WARRANTY AND DAMAGES

KAGE INNOVATION MAKES NO OTHER WARRANTY, EXPRESSED OR IMPLIED, AND MAKES NO WARRANTY OF MERCHANTABILITY OR OF FITNESS FOR ANY PARTICULAR PURPOSE. THERE ARE NO WARRANTIES WHICH EXTEND BEYOND THE FACE HEREOF.

IN NO EVENT SHALL KAGE INNOVATION, BE HELD LIABLE FOR SPECIAL, INCIDENTAL OR CONSEQUENTIAL DAMAGES OR FOR DAMAGES RESULTING FROM MISAPPLICATION, ABUSE, MISUSE, ACTS OF GOD, UNAUTHORIZED ALTERATION OF THE KAGE INNOVATION PRODUCT, OR SUBSTITUTION OF PARTS NOT AUTHORIZED IN WRITING BY KAGE INNOVATION.

To obtain service under this warranty the consumer must return the defective Kage Innovation product to Kage Innovation directly, the dealer from which the product was purchased or to any authorized Kage Innovation dealer, transportation and freight charges prepaid. Only Kage Innovation dealers are authorized to perform the obligations under this warranty with pre-authorization from Kage Innovation.

No person is authorized to alter or amend this warranty or to create any warranty other than that set forth herein without the expressed written consent of Kage Innovation.

Kage Innovation reserves the right to make improvement changes on any of our products without prior notice.

Revision Comments

Date	Name	Description
11-29-2023	Mike	Updated snowcatch angle and side support for the SnowKAGE box
11-29-2023	Mike	Added 2 missing 5/8 carriage and locknuts to SnowKage BOM
5-7-2024	Josh	Added 3-point version drawings and BOM
5-14-2024	Mike	Added spec sheet for 2 in 1 system and spec for Wing
7-15-2024	Josh	Created new manual
10-10-2024	Mike	Added instructions for mounting wing harness & 2024 fall updates
11/8/2024	Mike	Added Electrical Schematic and updated Wing Hydro Schematic & Break-down