



# KAGE Katcher™

## Owners Manual

REV: 2023.12.1

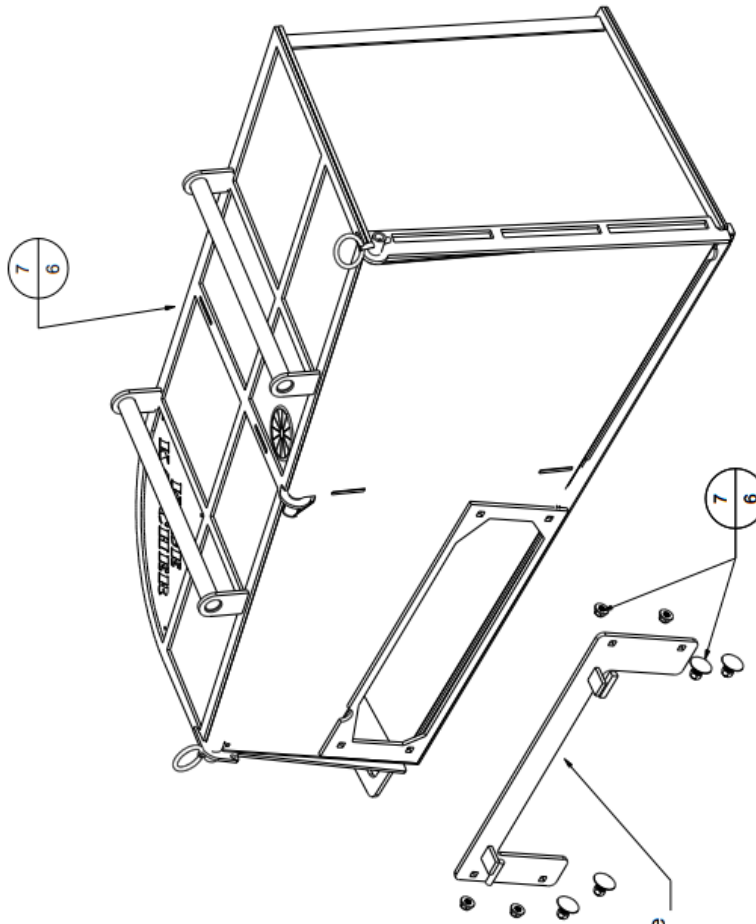




### Grass Catcher Assembly 10-1000

Version#  
Version Starting Serial #


Item	Part Name	Part Number	Quantity
1	Gravelly/ Ferris intake manifold kit	10-965	1
2	Scag intake manifold kit	10-967	1
3	Wright intake manifold	10-867	1
4	Exmark intake manifold	10-762	1
5	Toro intake manifold	10-756	1
6	Aluminum Grass Catcher 1000 Assembly	AJ-1000	1
7	Steel Grass Catcher 1000 Assembly	ST-1000	1

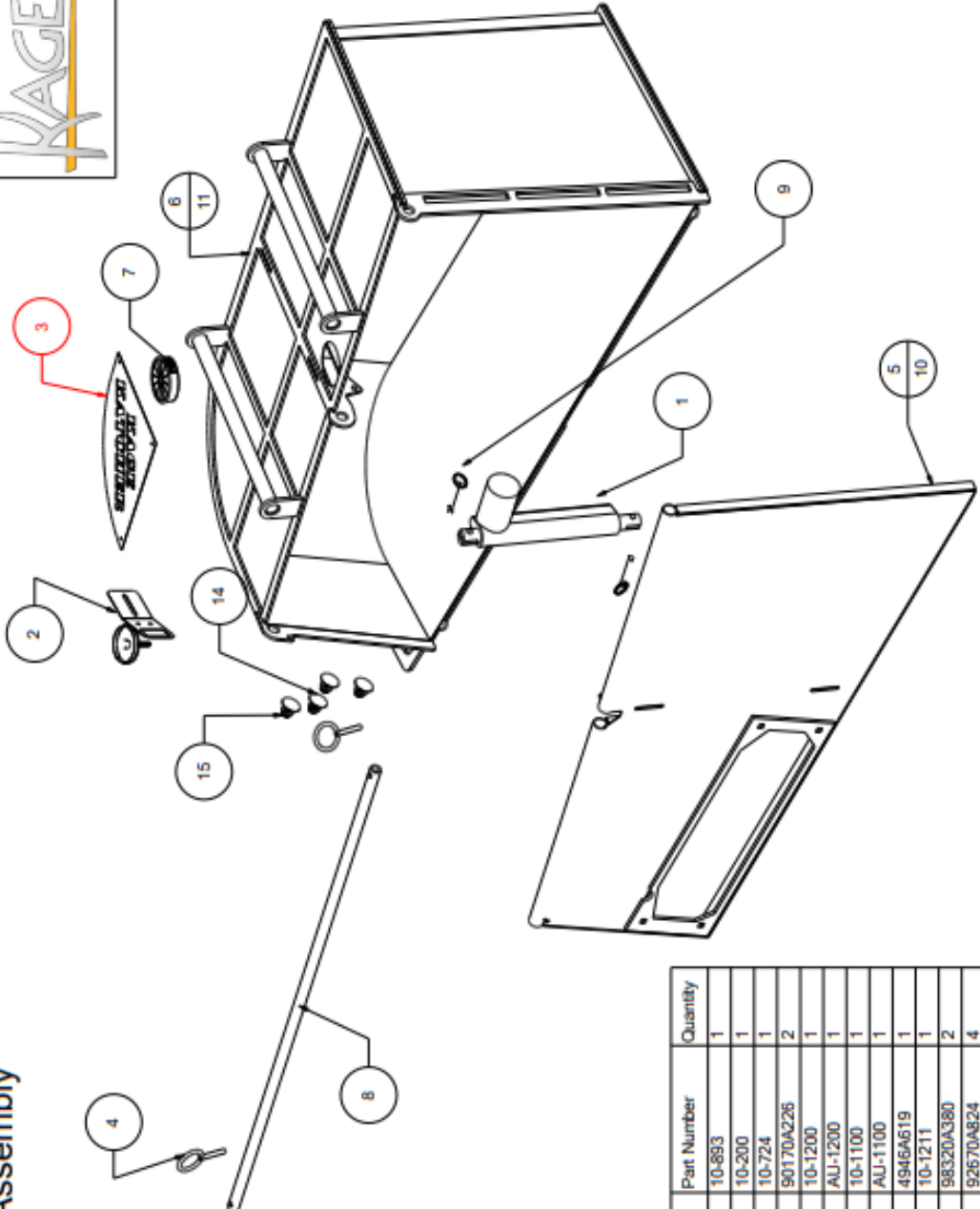


Select from one of the available intake manifolds

WEIGHT LBS 71

Copyright Kage Innovation All Rights Reserved www.kageinnovation.com (844) 314-KAGE





### Grass Catcher 1000 Assembly

Version#  
Version Starting Serial #

Item	Part Name	Part Number	Quantity
1	Linear Actuator	10-893	1
2	Grass Catcher Harness	10-200	1
3	Grass Katcher Nameplate	10-724	1
4	Lynch Pin 5/16	90170A226	2
5	Steel Grass Catcher Side Frame	10-1200	1
10	Flange	AU-1200	1
6	Steel Grass Catcher Main Bin	10-1100	1
11	Steel Grass Catcher Main Bin	AU-1100	1
7	3 Inch Expandable Grommet	4946A619	1
8	Hinge Rod	10-1211	1
9	Ring-Grip Quick-Release Pin	98320A380	2
14	Elevator Bolt 3-8-16-1	92670A824	4
15	Flange Locknut, 3-8-16	93298A130	4



# All Intake Manifolds

## Exmark Intake Manifold

P/N: 10-762

Laser Z, Quest, Radius, Vertex, Turf-Tracer, Bobcat



## Wright Intake Manifold

P/N: 10-867

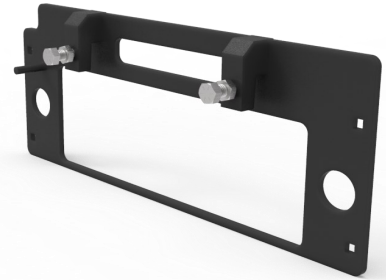
Stander B, X, ZK, Walk-behinds, zXL, zXT



## Toro Intake Manifold

P/N: 10-756

Z Master, Titan



## Gravely/Ferris/Ariens Manifold Adaptor

P/N: 10-965

Pro-Turn, ZT, 300S, 500S, IS Series, ISX Series, SRS Stand on, Ariens Zenith, Apex



## SCAG Manifold Adaptor

P/N: 10-967,

Note: We recommend using this in combination with SCAG part #424212(Turbo Baffle w/ Catcher)

Turf Tiger II, Cheetah II, Tiger Cat II, Patriot

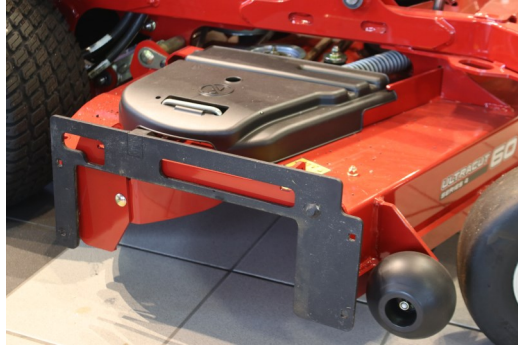


# KAGE Katcher Owners Manual

Revision #1

## Intake Manifold Installation References

Exmark/Bobcat:



Gravely/Ariens/  
Ferris:



TORO:



Wright:



# KAGE Katcher Owners Manual

Revision #1

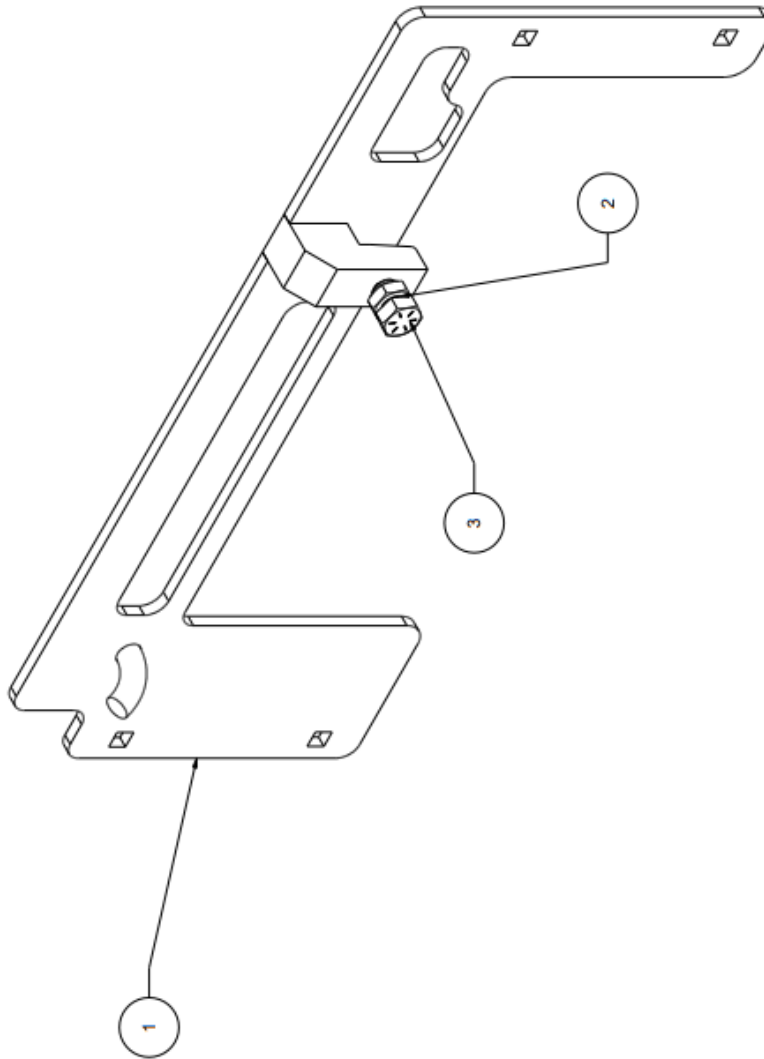
## Intake Manifold Installation References

SCAG:





### Replacement Parts for Exmark/Bobcat Manifold (for Katcher AND Grass deflector)

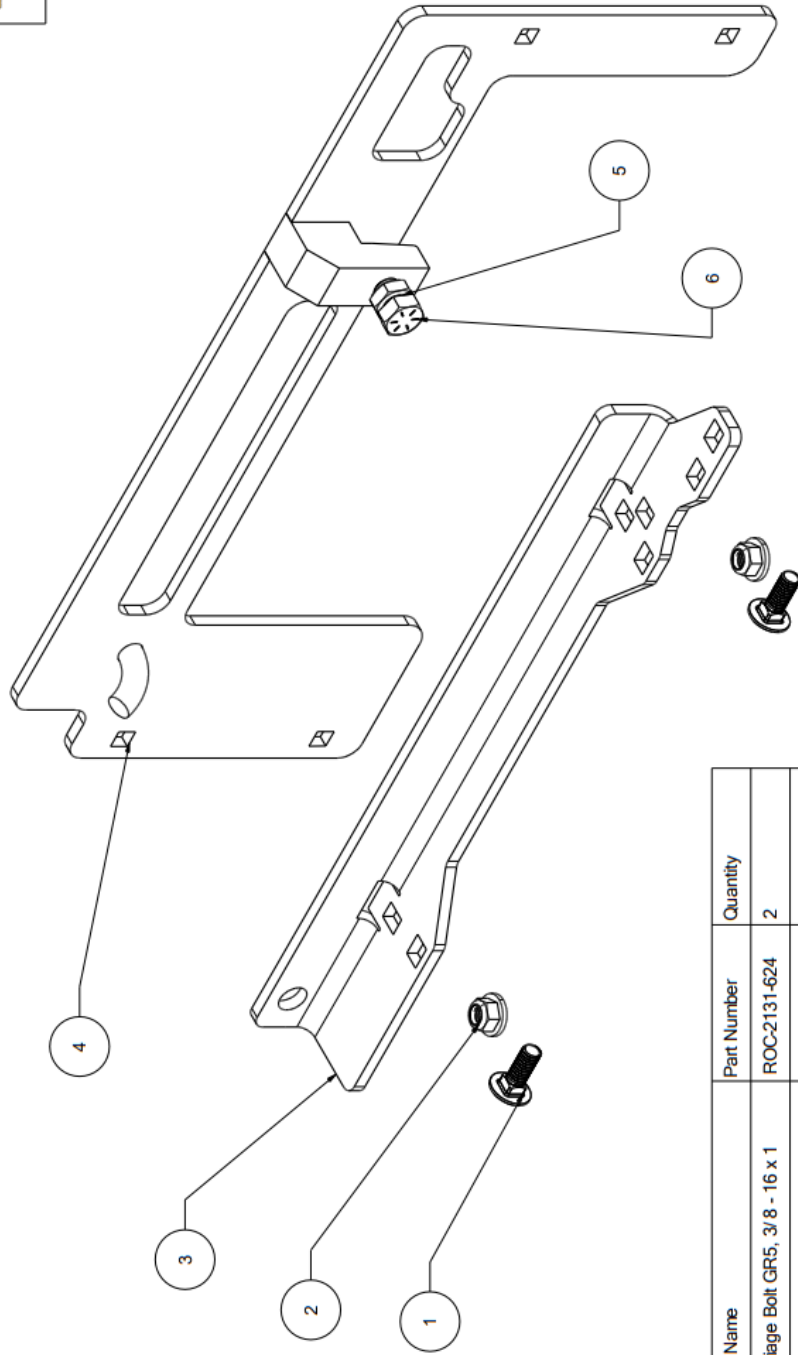


Item	Part Name	Part Number	Quantity
1	Exmark-Bobcat Intake Manifold	10-762	1
2	Hex Nylock Nut 1/2 - 13	90566A033	1
3	Hex Bolt GR5 1/2-13x1.5	92865A716	1

Copyright Kage Innovation All Rights Reserved    www.kageinnovation.com    (844) 314-KAGE



### Replacement Parts for Ferris Manifold (for Katcher AND Grass Deflector)



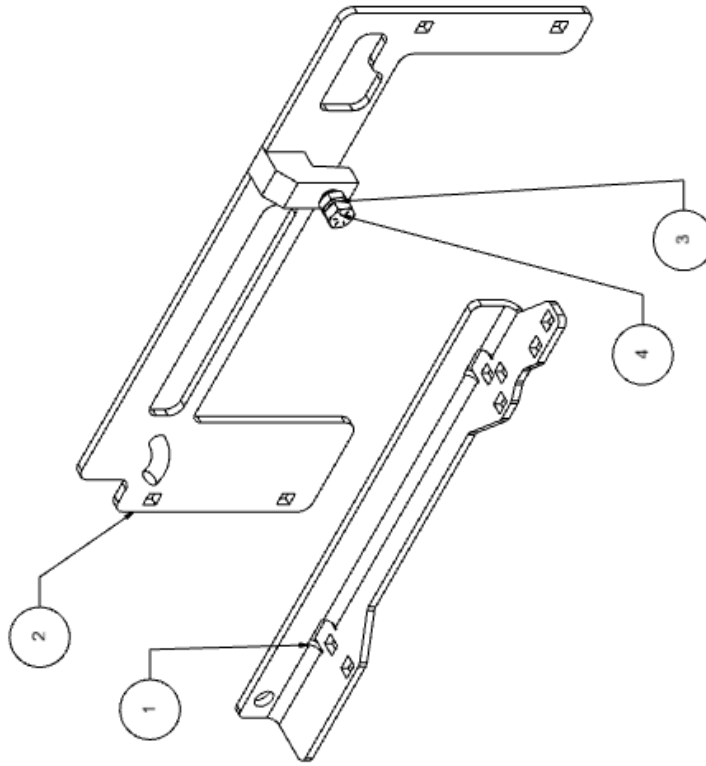
Item	Part Name	Part Number	Quantity
1	Carrage Bolt GR5, 3/8 - 16 x 1	ROC-2131-624	2
2	Flange Locknut, 3_8 - 16	93298A130	2
3	Gravley/ Ferris adaptor	10-964	1
4	Exmark-Bobcat Intake Manifold	10-762	1
5	Hex Nylock Nut 1/2 - 13	90566A033	1
6	Hex Bolt GR5 1/2-13x1.5	92865A716	1

Copyright Kage Innovation All Rights Reserved [www.kageinnovation.com](http://www.kageinnovation.com) (844) 314-KAGE





### Replacement Parts for Gravely/Ariens Manifold (Katcher AND Grass Deflector)

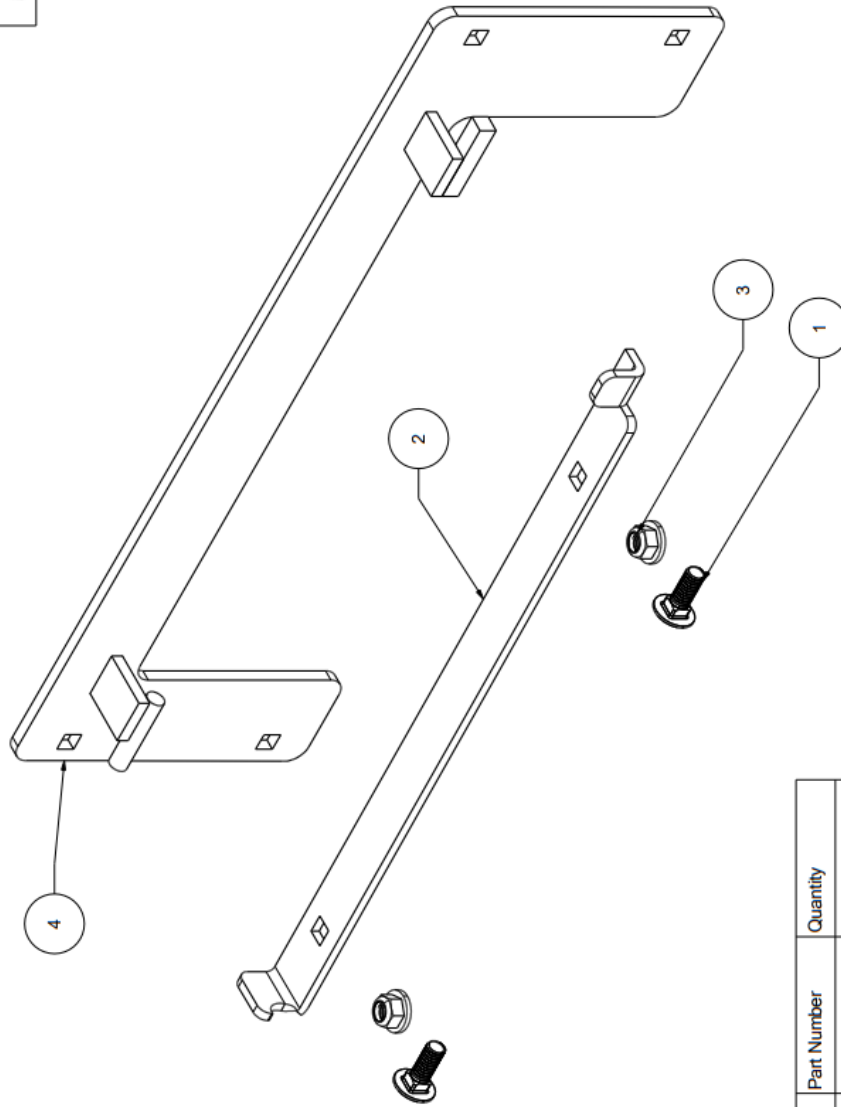


Item	Part Name	Part Number	Quantity
1	Gravely/Ferris adaptor	10-964	1
2	Exmark-Bobcat Intake Manifold	10-762	1
3	Hex Nylock Nut 1/2 - 13	90566A033	1
4	Hex Bolt GR5 1/2-13x1.5	92865A716	1

Copyright Kage Innovation All Rights Reserved      www.kageinnovation.com      (844) 314-KAGE



### Replacement Parts for SCAG Manifold(for Katcher)

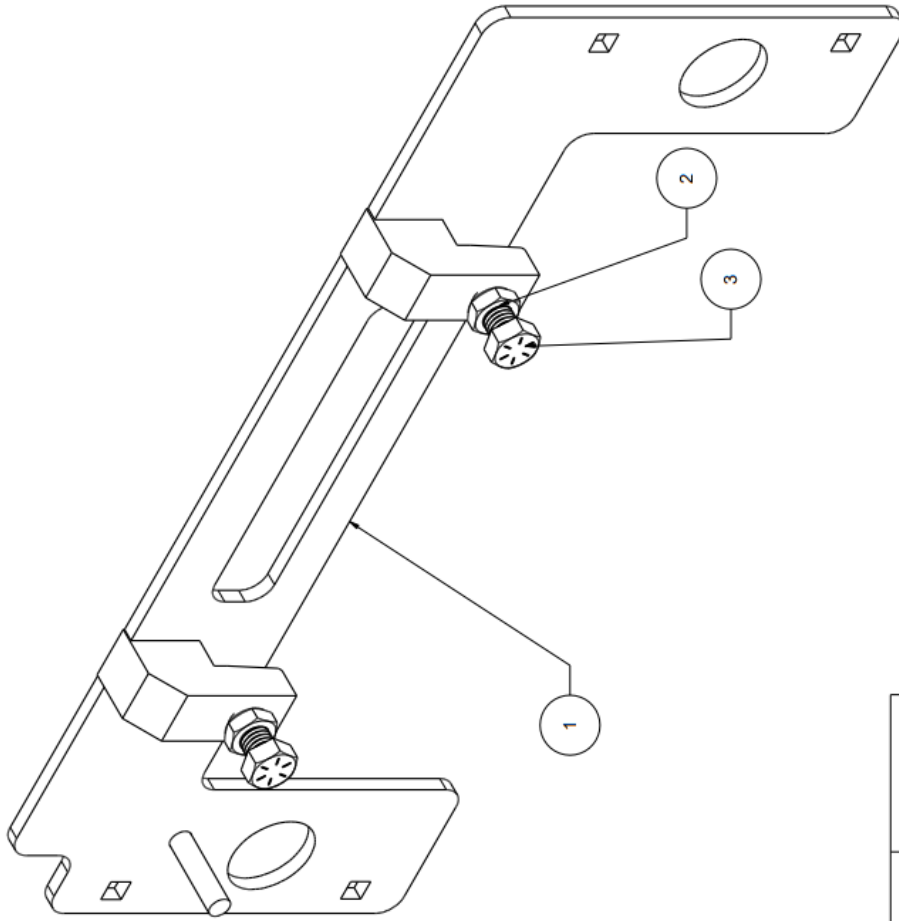


Item	Part Name	Part Number	Quantity
1	Carriage Bolt GR5, 3/8 - 16 x 1	ROC-2131-624	2
2	Wright to Scag Adaptor bracket	10-966	1
3	Flange Locknut, 3_8 -16	93298A130	2
4	Wright intake manifold	10-867	1

Copyright Kage Innovation All Rights Reserved    www.kageinnovation.com    (844) 314-KAGE



## Replacement Parts for TORO Manifold (Katcher AND Grass deflector)

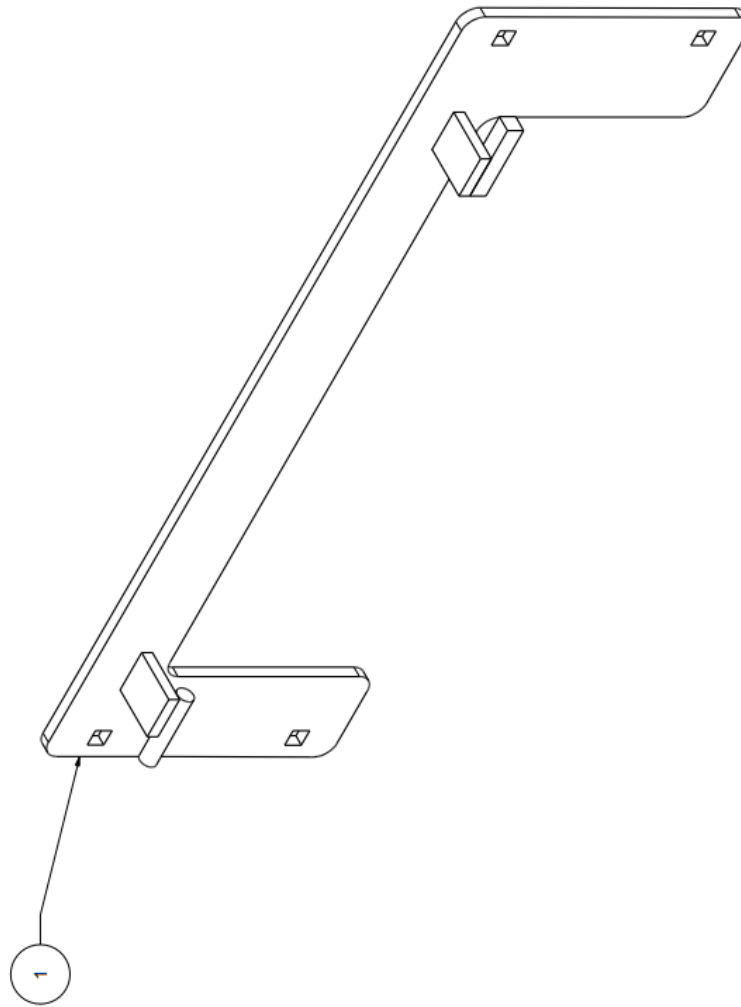


Item	Part Name	Part Number	Quantity
1	Toro intake Weldment	10-756	1
2	Hex Nylock Nut 1/2 - 13	90566A033	2
3	Hex Bolt 1-2-13 x 1.5	92865A716	2

Copyright Kage Innovation All Rights Reserved [www.kageinnovation.com](http://www.kageinnovation.com) (844) 314-KAGE



## Replacement Parts for Wright Manifold(for Katcher)



Item	Part Name	Part Number	Quantity
1	Wright intake manifold	10-867	1

Copyright Kage Innovation All Rights Reserved [www.kageinnovation.com](http://www.kageinnovation.com) (844) 314-KAGE

## Revision Comments

<b>Date</b>	<b>Name</b>	<b>Description</b>
12-1-2023	Mike	First Revision
1-5-2024	Josh	Added Ferris and Gravely Adaptors
1-15-2024	Josh	Added scag adaptor
2-10-2024	Josh	Updated pictures of manifolds with brackets
5-3-2024	Kyler	Added the Bobcat compatible Exmark Intake
7-5-2024	Josh	Removed Ferris specific bracket from spec sheet, updated Gravely
8-2-2024	Josh	Updated Master page, updated 10-1000 breakdown
8-7-2024	Josh	Updated toro render
10-5-2024	Josh	Added replacement breakdowns that correspond to each 10-1000 revision
12-31-2024	Josh	Added pictures to show installation of each manifold