

Ground Breaking Design

The KAGE GreatER Bar makes it easy for the operator and removes the potential of hydraulic failure or problems through:

- Mechanically activated Quick Rip Bar
- Automatically retracting teeth when moving backwards
- Bucket hooks for carrying bucket from job to job.
- Critical locking parts made from HARDOX™ steel
- Replaceable bolt-on cutting edges
- Replaceable rip teeth caps.



“Easiest Grader Bar to use”

GreatER for Leveling

- Gravel Roads, Driveways & Parking Lots
- Sand Driveway & Horse Arenas
- Dirt Construction Sites, Deer Food Plots & Trails
- Clay Motorsport Tracks



Bucket Holding Claw

Mechanically Activated Ripper Tooth Bar

We make it easy...

No Manual or Hydraulic Ripper Teeth

KAGE
GreatER Bar™



KAGE GreatER Bar™



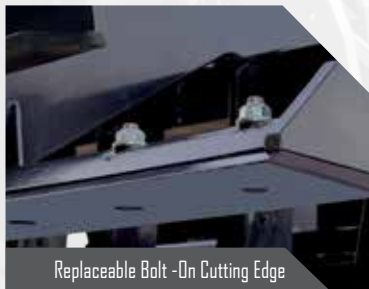
Spring Loaded Ripper Bar



Large Safety Step



Adjustable Foot To Optimize Latch



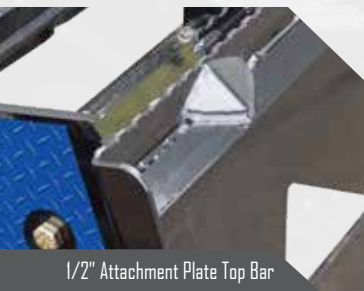
Replaceable Bolt-On Cutting Edge



HARDOX™ Latching Mechanism



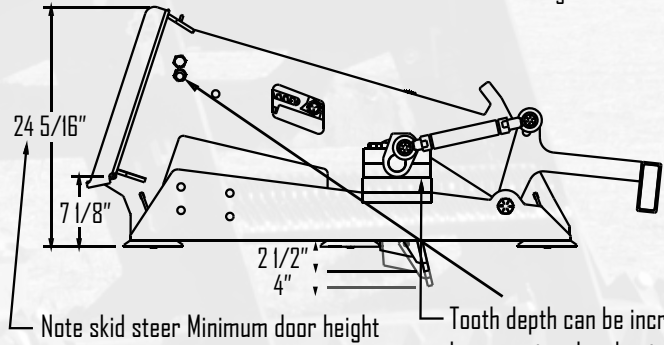
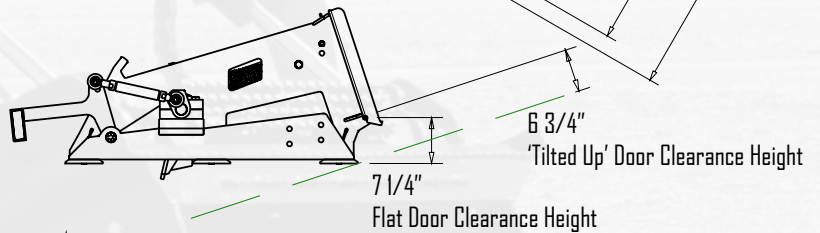
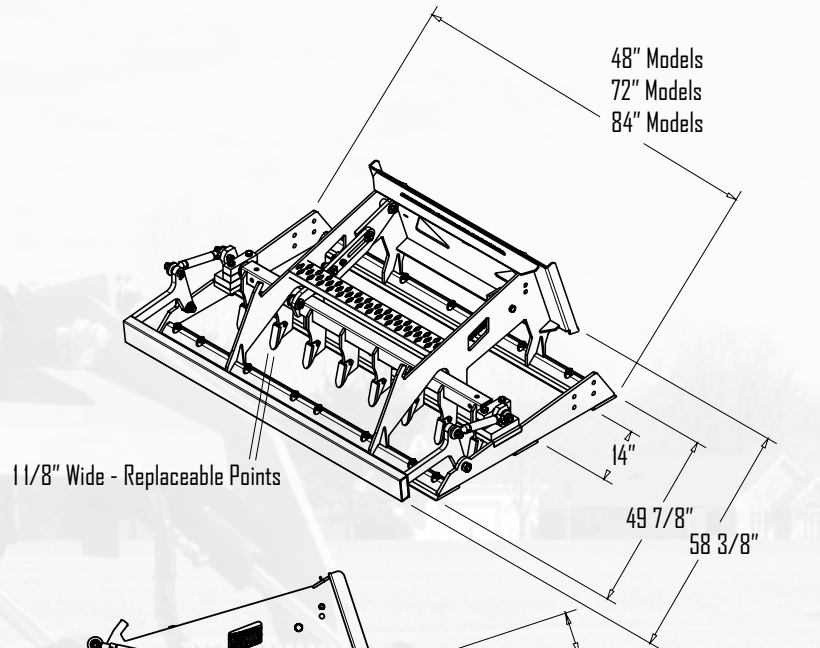
Heavy Duty Corner Gussets



1/2" Attachment Plate Top Bar



Quick Rip Teeth



MODELS

Model / Option #	Description	Weight (Lbs)
GBT48	GreatER Bar w/ Quick Rip 48"	798
GBT72	GreatER Bar w/ Quick Rip 72"	932
GBT84	GreatER Bar w/ Quick Rip 84"	1032
GB48	GreatER Bar 48"	556
GB72	GreatER Bar 72"	822
GB84	GreatER Bar 84"	922

Scan Now to watch the GreatER Bar™ in action!



TO ORDER CALL **844-314-KAGE (5243)**, OR GO ONLINE: **KAGEINNOVATION.COM**