



# SnowStorm™ Plow System

Owners Manual

REV: 2024.4.9

Covers Serial Numbers Starting:

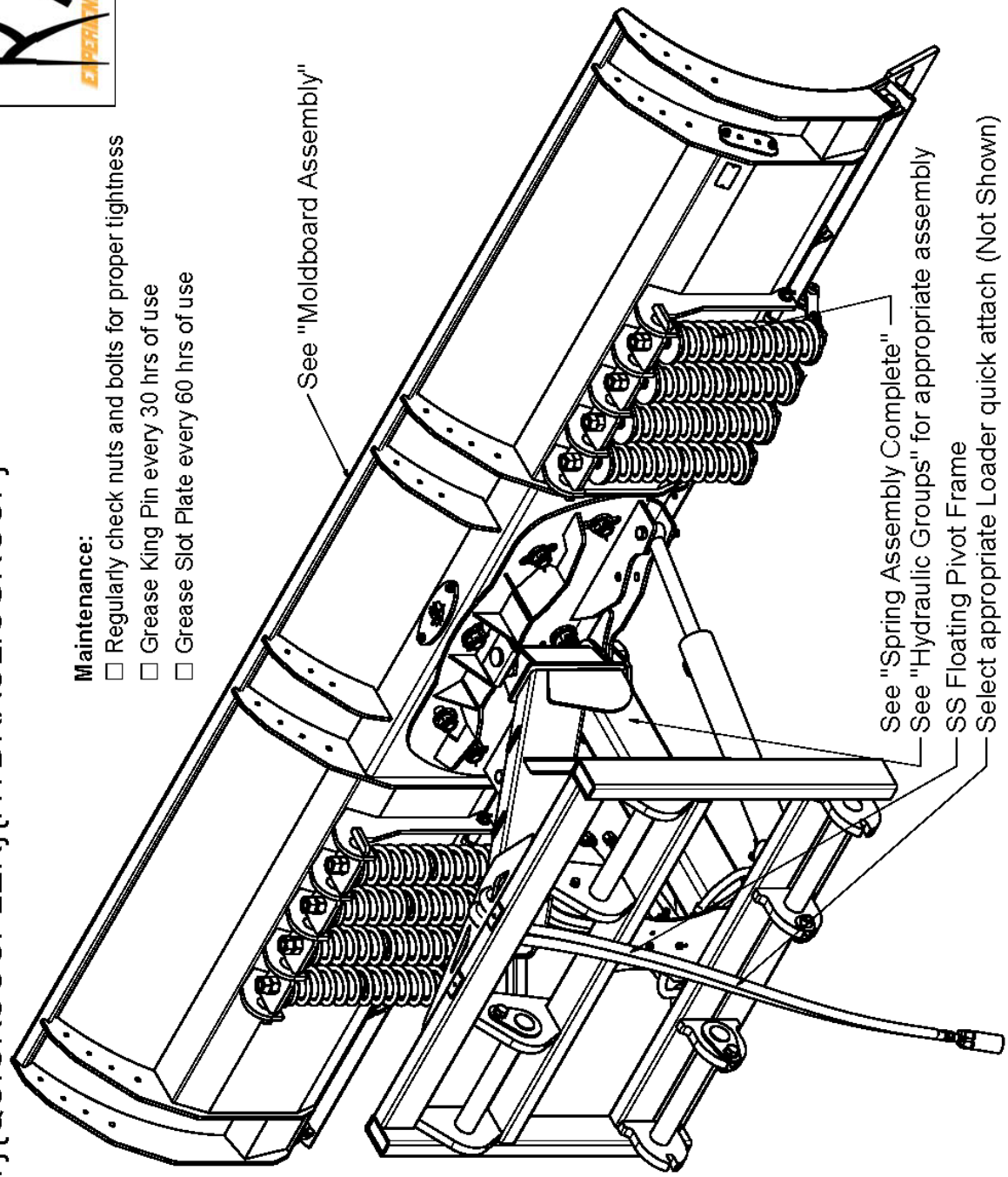
SS120-3021 & SS144-3062 & SS168-3031



SS Loader Assembly  
 KBSS{SIZEFT}{QUICKCOUPLER}{HYDRAULICGROUP}  
 Version# 28



- Maintenance:**
- Regularly check nuts and bolts for proper tightness
  - Grease King Pin every 30 hrs of use
  - Grease Slot Plate every 60 hrs of use

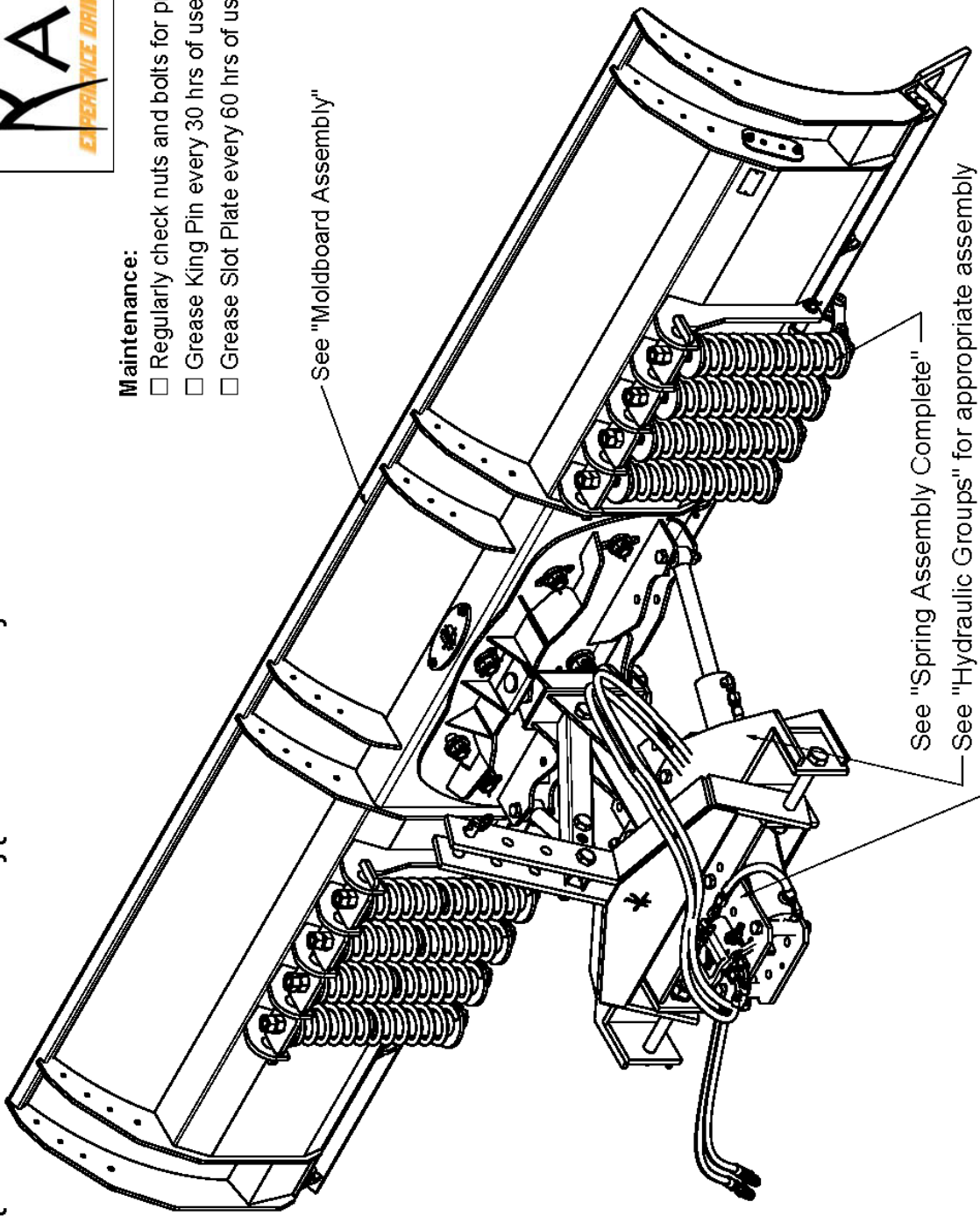


Copyright Kage Innovation All Rights Reserved www.kageinnovation.com 651.433.4628

SS 3 Point Assembly  
 KBSS{SIZEFT}{HYDRAULICGROUP}{HITCHASSY}  
 Version# 2



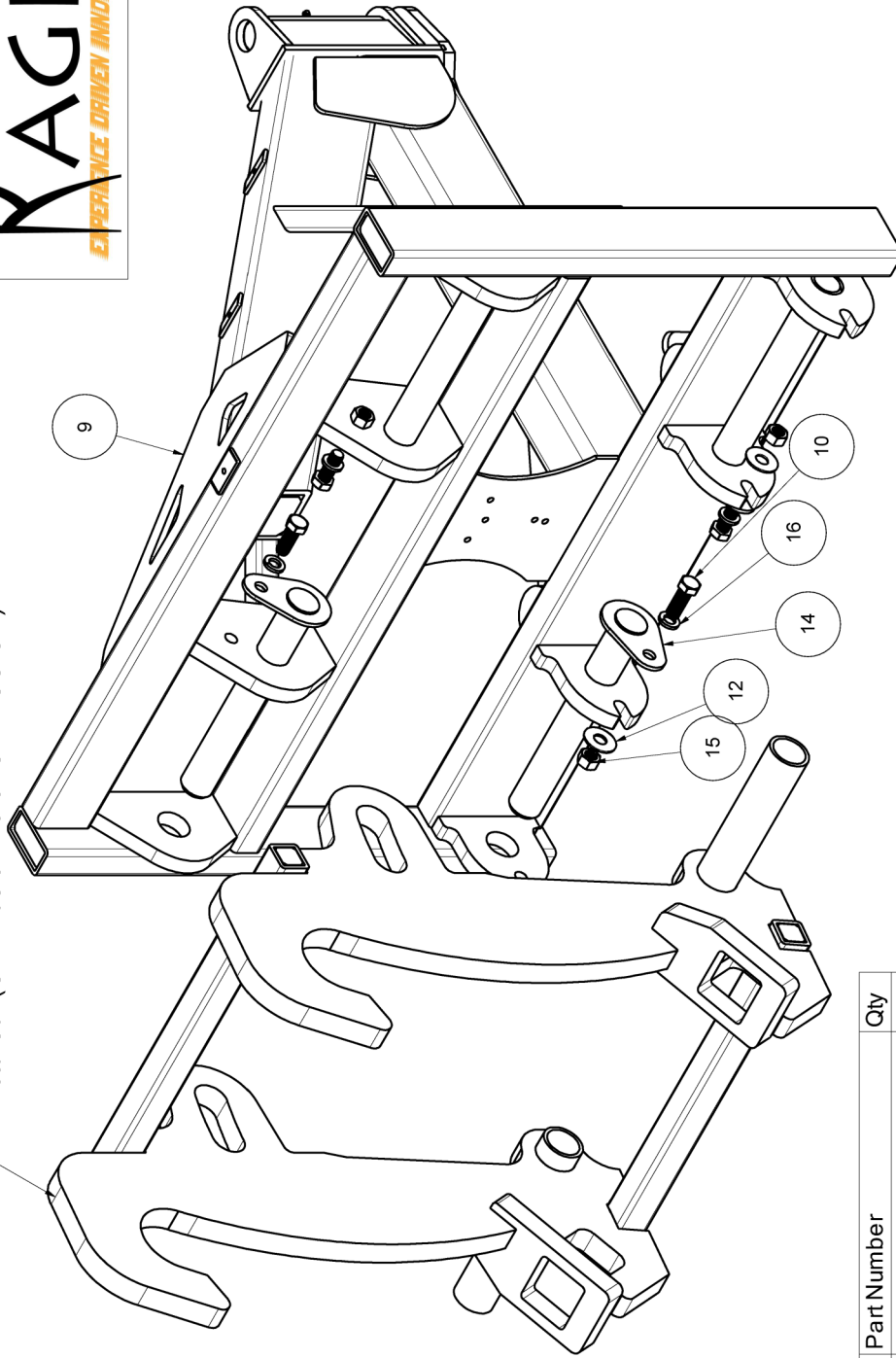
- Maintenance:**
- Regularly check nuts and bolts for proper tightness
  - Grease King Pin every 30 hrs of use
  - Grease Slot Plate every 60 hrs of use



Copyright Kage Innovation All Rights Reserved www.kageinnovation.com 651 433 4628

**Floating Pivot Frame Assy**  
**KBW-PF**  
 Version#

Quick Attach Sold Separately  
 Pictured: (CAT Fusion Part# CATFUSION)



Item	Part Name	Part Number	Qty
9	PIVOT FRAME GROUP	KBW-P	1
10	Hex Bolt GR5 3/4-10 x 2.25	92865A844	2
11	Hex Bolt GR5 3/4-10 x 2	92865A843	2
12	3/4" Flat Washer	90108A036	2
13	Quick Attach	See Available Quick Attaches	0
14	Float Pin	67-001	4
15	CenterLocknut GR2 3/4-10	90040A147-K5	4
16	Lockwasher 3/4	91102A036	4

Copyright Kage Innovation All Rights Reserved [www.kageinnovation.com](http://www.kageinnovation.com) 651 433 4628



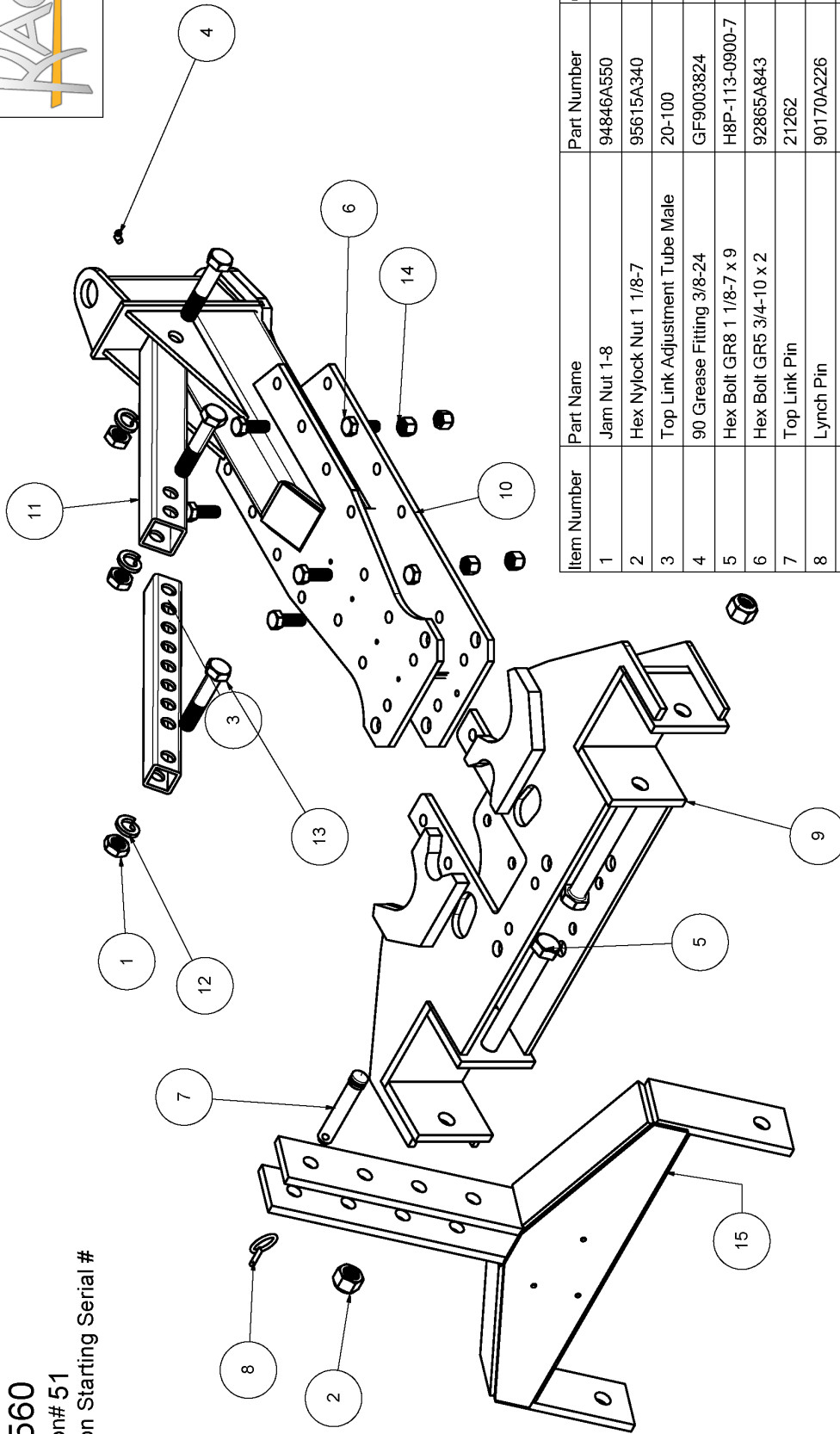


### 3 Point Pivot Frame Kit

KT-560

Version# 51

Version Starting Serial #

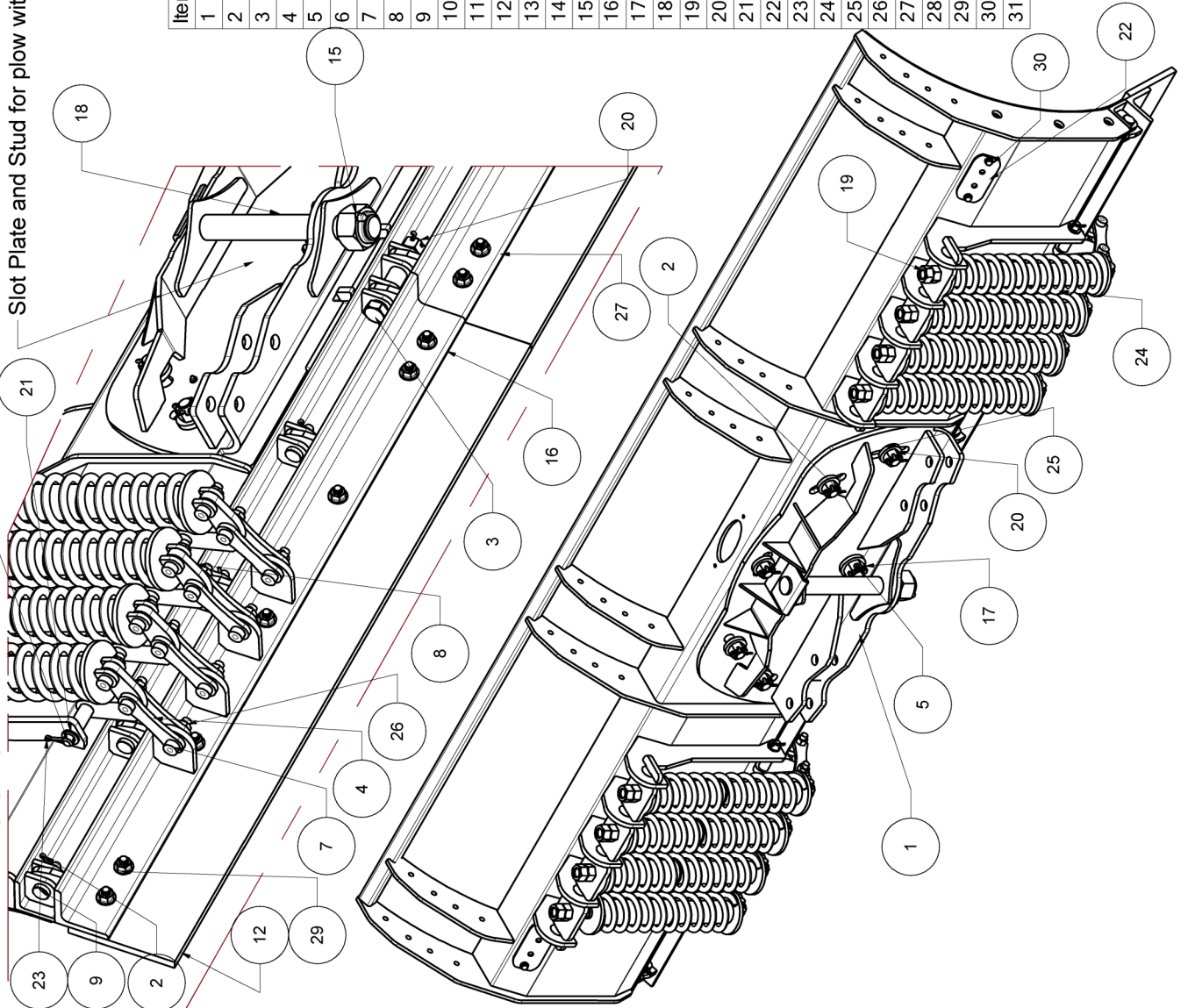


Item Number	Part Name	Part Number	Quantity
1	Jam Nut 1-8	94846A550	3
2	Hex Nylock Nut 1 1/8-7	95615A340	2
3	Top Link Adjustment Tube Male	20-100	1
4	90 Grease Fitting 3/8-24	GF9003824	1
5	Hex Bolt GR8 1 1/8-7 x 9	H8P-113-0900-7	2
6	Hex Bolt GR5 3/4-10 x 2	92865A843	8
7	Top Link Pin	21262	1
8	Lynch Pin	90170A226	1
9	3 Point Hitch Converter CAT2	8P9-8200	1
10	PIVOT FRAME GROUP 3 POINT	KBW-PF-3POINT	1
11	Top Link Adjustment Tube Female	20-120	1
12	Lockwasher 1"	91102A038	3
13	Hex Bolt GR8 1-8 x 5	91257A965	3
14	Hex Nylock Nut GR 5 3/4-10	95615A270	8
15	3 Point Mast	12-200	1

**WEIGHT LBS 370**

Copyright Kage Innovation All Rights Reserved www.kageinnovation.com (844) 314-KAGE

Part Name: **Moldboard Assy SS 10**  
 Part Number: **KBSS10**



Slot Plate and Stud for plow with serial number greater than 131-2137



Item	Part Name	Part Number	Quantity
1	SLOT PLATE GROUP LG	12-555	1
2	Cotter Pin 3/16 x 2	98338A516	14
3	Hex Bolt GR8 1-8 x 6.5 w Hole	91257A970-K5	1
4	Link, Trip Link	01-009	16
5	Cotter Pin, 1/4 x 2 1/2	98338A325	1
6	1.25 x .375 washer	125W	1
7	Shoulder Bolt, 3/4S - 5/8-11	91264A798	24
8	Trip Arm	34-700	8
9	Clevis Pin	98306A677	8
10	Stop Bushing	909-4	2
11	Moldboard Weldment SS 10	KD10	1
12	Cutting edge 5' x 8"	SBCSS60	2
13	Spring Block	55-700	2
14	Spring Connector Pin	67-000	2
15	Hex Locknut 1.75-5	90621A070	1
16	Base Angle Group 5' Driver	423-DRIVER	1
17	Slotted Nut Gr5 1 1/4-7	95030A350	1
18	King Pin LG	23-333	1
19	Spring Bolt	23-000	8
20	Slotted Nut 1-8	97190A040-K8	6
21	Shimming Washer, 1.25 x .75	97669A400	4
22	Line Cap	11-201	2
23	Cotter Pin, 3/16 x 1.5"	98338A270	4
24	Spring Assembly Complete	SP-7200	8
25	1-.375 washer	13W	5
26	Hex Nylock GR2 5/8-11	90040A143	24
27	Base Angle Group 5' Passenger	423-PASSENGER	1
28	Cutting Edge Hardware Kit SS10	CEHKSS-10	0
29	Cutting Edge Hardware Kit SS 5	CEHKSS-5	2
30	Flange Hex Bolt 3/8-16 x 1 Self Tail	93882A657	4
31	Line, DistBlock to Bulkhead LG	1-670	4



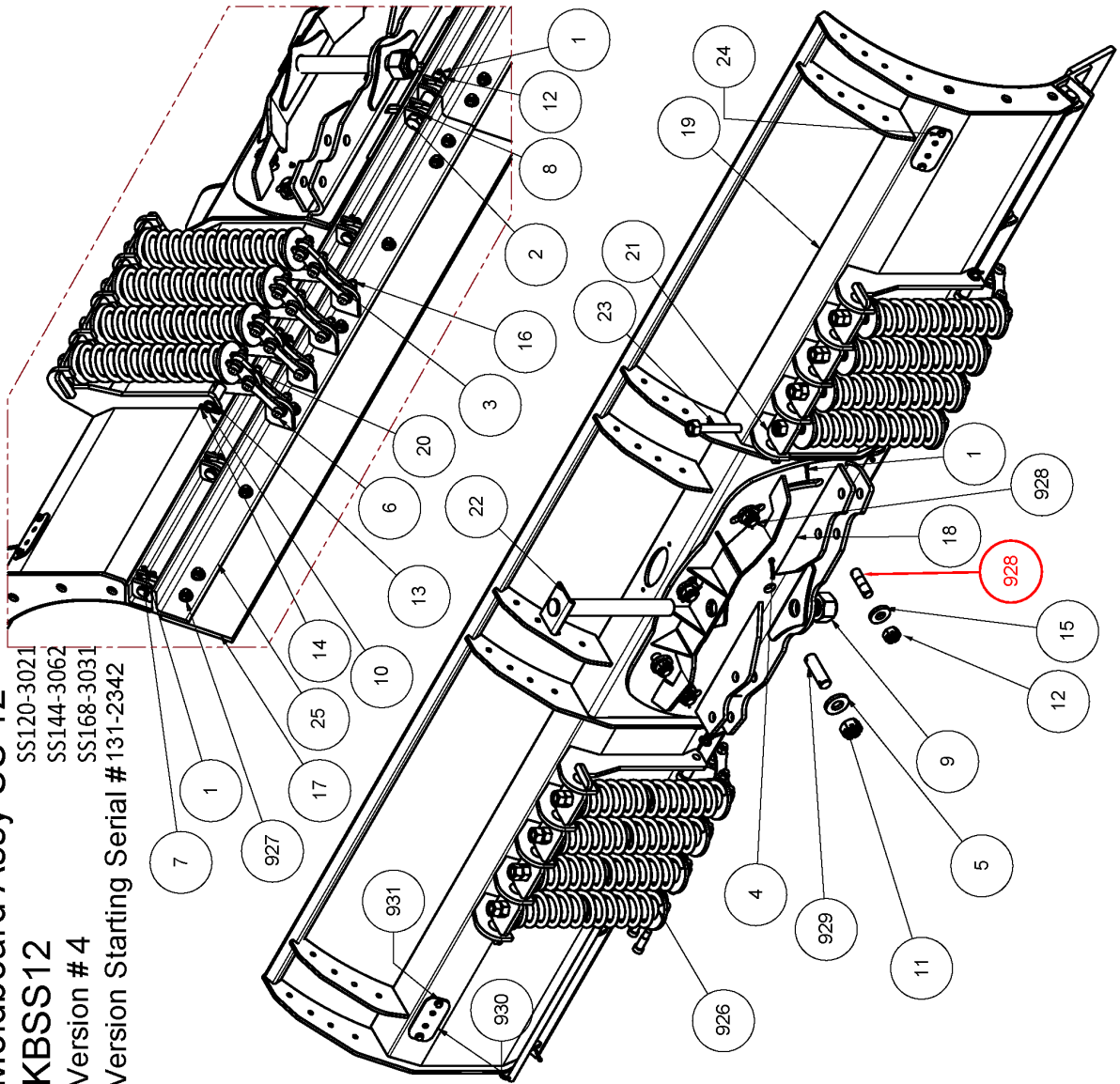
# Moldboard Assy SS 12

SS120-3021

SS144-3062

SS168-3031

Version # 4  
Version Starting Serial #131-2342



Item	Part Name	Part Number	Quantity
1	Cotter Pin 3/16 x 2	98338A516	14
2	Hex Bolt GR8 1-8 x 6.5 w Hole	91257A970-K5	1
3	Link, Trip Link	01-009	16
4	Cotter Pin, 1/4 x 2 1/2	98338A325	1
5	1.25 x .375 washer	125W	1
6	Shoulder Bolt, 3/4S - 5/8-11	91264A798	24
7	Clevis Pin	98306A677	8
8	Stop Bushing	909-4	2
9	Hex Locknut 1.75-5	90621A070	1
10	Spring Connector Pin	67-000	2
11	Slotted Nut Gr5 1 1/4-7	95030A350	1
12	Slotted Nut 1-8	97190A040-K8	6
13	Shimming Washer, 1.25 x .75	97669A400	4
14	Cotter Pin, 3/16 x 1.5"	98338A270	4
15	1-.375 washer	13W	5
16	Hex Nylock GR2 5/8-11	90040A143	24
17	Cutting edge 6' x 8"	SBCSS72	2
18	SLOT PLATE GROUP LG	12-555	1
19	Moldboard Weldment SS 12	KD12	1
20	Trip Arm	34-700	8
21	Spring Block	55-700	2
22	King Pin LG	23-333	1
23	Spring Bolt	23-000	8
24	Line, Dist Block to Bulkhead LG	1-670	4
25	Base Angle Group SS 6	423-6	2
926	Spring Assembly Complete	SP-7200	8
927	Cutting Edge Hardware Kit SS 6	CEHKSS-6	2
928	Gr 8 Stud 1-8	66-100	5
929	GR8 Stud 1.25-7	66-125	1
930	Line Cap	11-201	2
931	Flange Hex Bolt 3/8-16 x 1 Self	93882A657	4

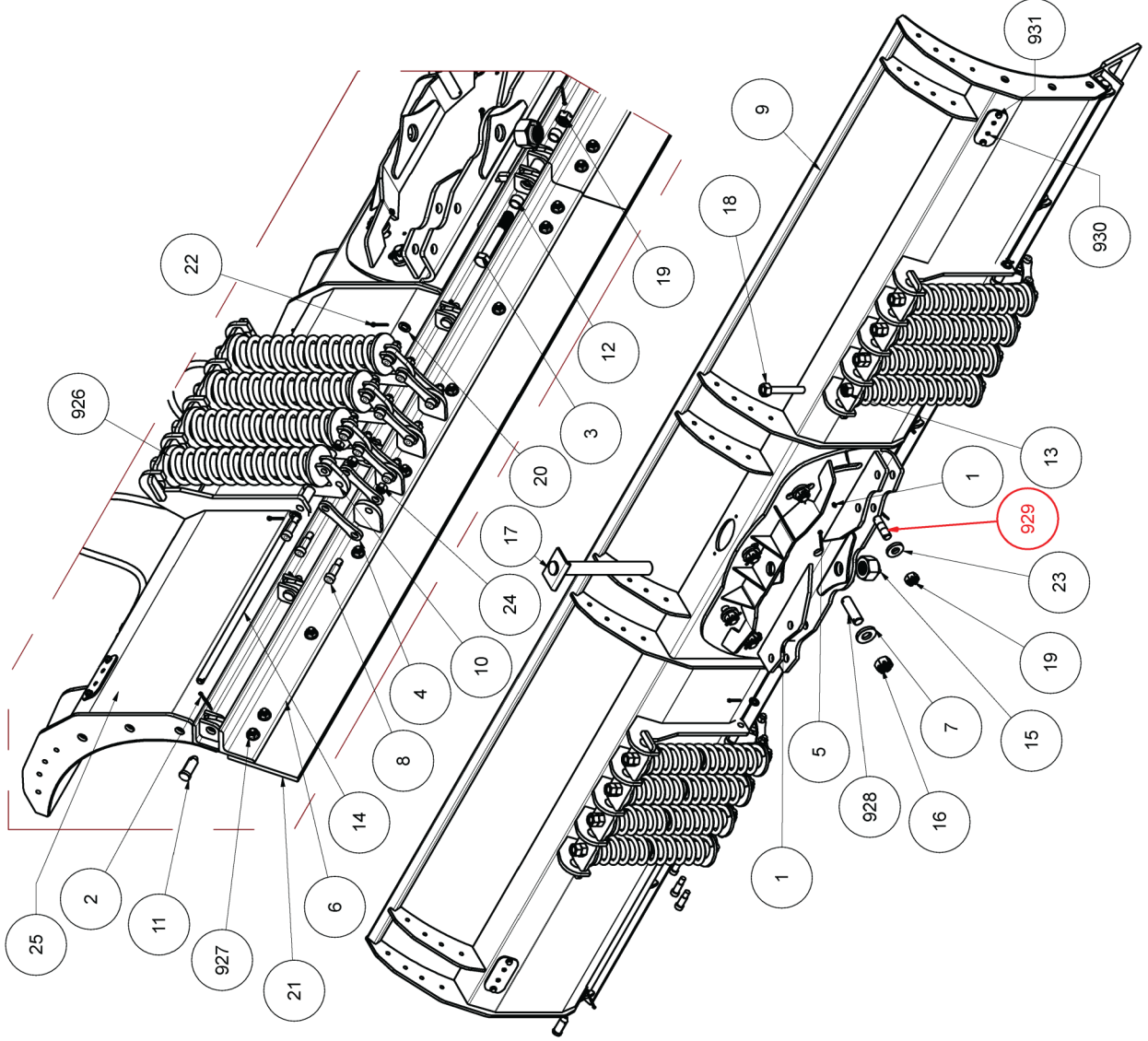
Weight LBS 1404.14

www.kageinnovation.com (844) 314-KAGE

Copyright Kage Innovation All Rights Reserved



**Moldboard Assy SS 14**  
**KBSS14**  
 Version # 4  
 Version Starting Serial #



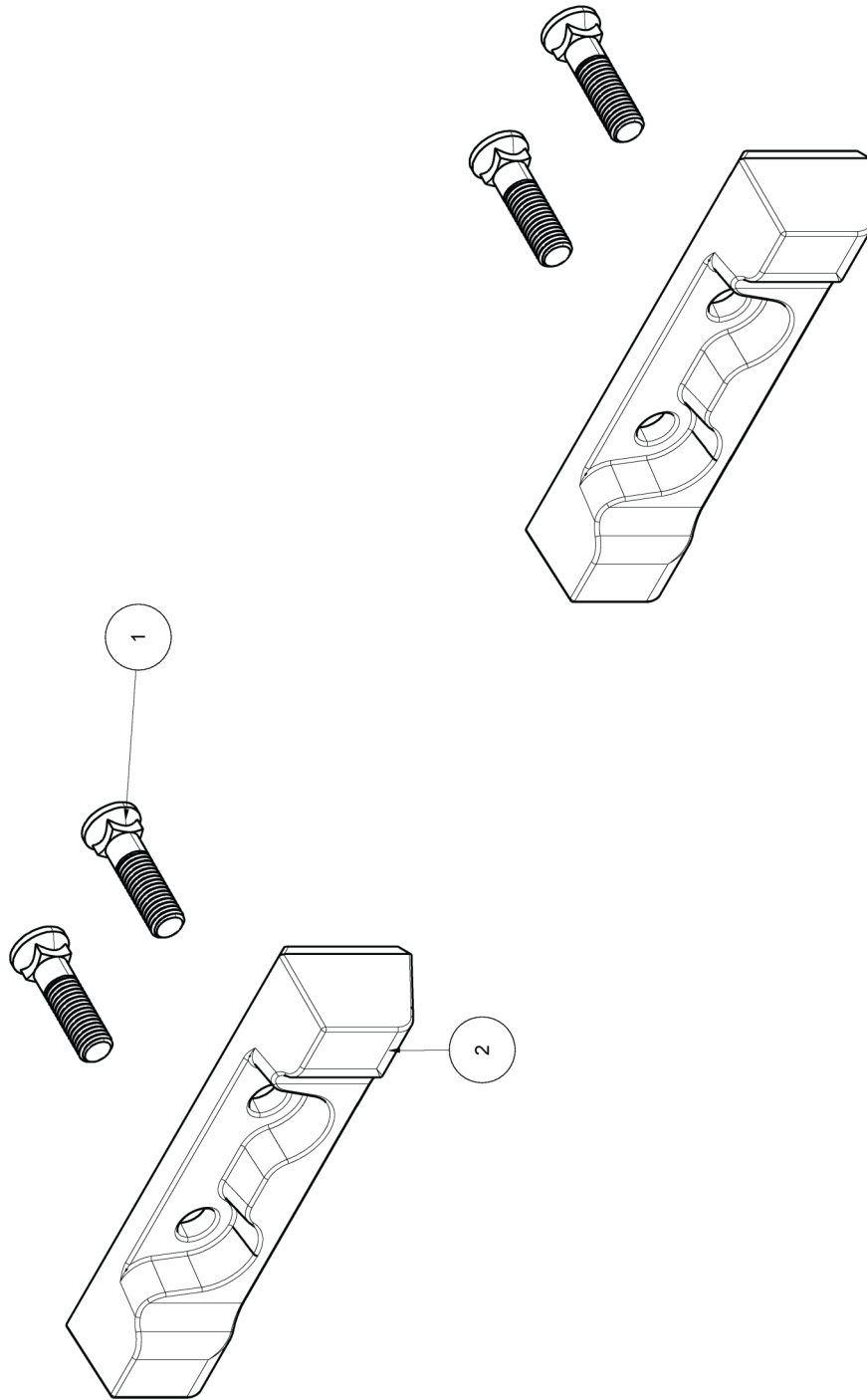
Item	Part Name	Part Number	Quantity
1	SLOT PLATE GROUP LG	12-555	1
2	Cotter Pin 3/16 x 2	98338A516	14
3	Hex Bolt GR8 1-8 x 6.5 w Hole	91257A970-K5	1
4	Link, Trip Link	01-009	16
5	Cotter Pin, 1/4 x 2 1/2	98338A325	1
6	Base Angle Group SS 7	423-7	2
7	1.25 x .375 washer	125W	1
8	Shoulder Bolt, 3/4S - 5/8-11	91264A798	24
9	Moldboard Weldment SS 14	KD14	1
10	Trip Arm	34-700	8
11	Clevis Pin	98306A677	8
12	Stop Bushing	909-4	2
13	Spring Block	55-700	2
14	Spring Connector Pin	67-000	2
15	Hex Locknut 1.75-5	90621A070	1
16	Slotted Nut Gr5 1 1/4-7	95030A350	1
17	King Pin LG	23-333	1
18	Spring Bolt	23-000	8
19	Slotted Nut 1-8	97190A040-K8	6
20	Shimming Washer, 1.25 x .75	97669A400	4
21	Cutting edge 7	SBCSS84	2
22	Cotter Pin, 3/16 x 1.5"	98338A270	4
23	1-.375 washer	13W	5
24	Hex Nylock GR2 5/8-11	90040A143	24
25	Line, Dist Block to Bulkhead LG	1-670	4
926	Spring Assembly Complete	SP-7200	8
927	Cutting Edge Hardware Kit SS 7	CEHKSS-7	2
928	GR8 Stud 1.25-7	66-125	1
929	GR8 Stud 1-8	66-100	5
930	Line Cap	11-201	2
931	Flange Hex Bolt 3/8-16 x 1 Self Ta	93882A657	4

**Weight LBS 1543.49**





**Curb Guard Kit**  
**KTCG180**  
Version # BLANK  
Version Starting Serial #

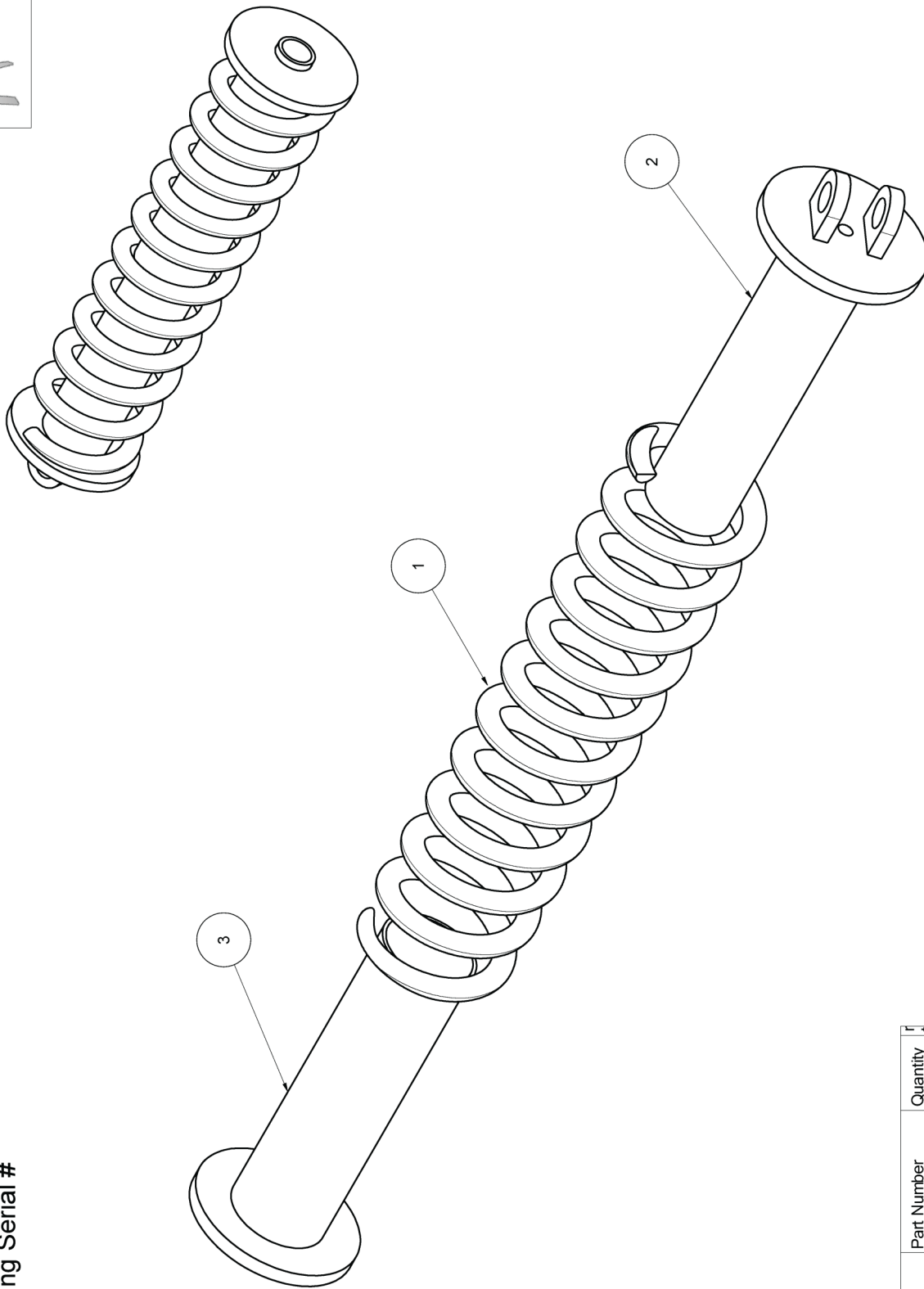


Item	Part Name	Part Number	Quantity
1	Plow Bolt 5-8 - 11 x 2 1-2	90934A804	4
2	SF Curb Guard	100-11	2

Copyright Kage Innovation All Rights Reserved [www.kageinnovation.com](http://www.kageinnovation.com) (844) 314-KAGE

**Weight LBS 18.10**

**Spring Assembly Complete**  
**SP-7200**  
 Version # BLANK  
 Version Starting Serial #



Item	Part Name	Part Number	Quantity
1	SS Coil Spring	5890032	1
2	Spring Bottom	SP-005	1
3	Spring Top	64-700	1

Weight LBS 16.39

www.kageinnovation.com (844) 314-KAGE

Copyright Kage Innovation All Rights Reserved





**Hydro Group w Valve**  
**HYES-1**

Version#

Version Starting Serial #

SS120-3021

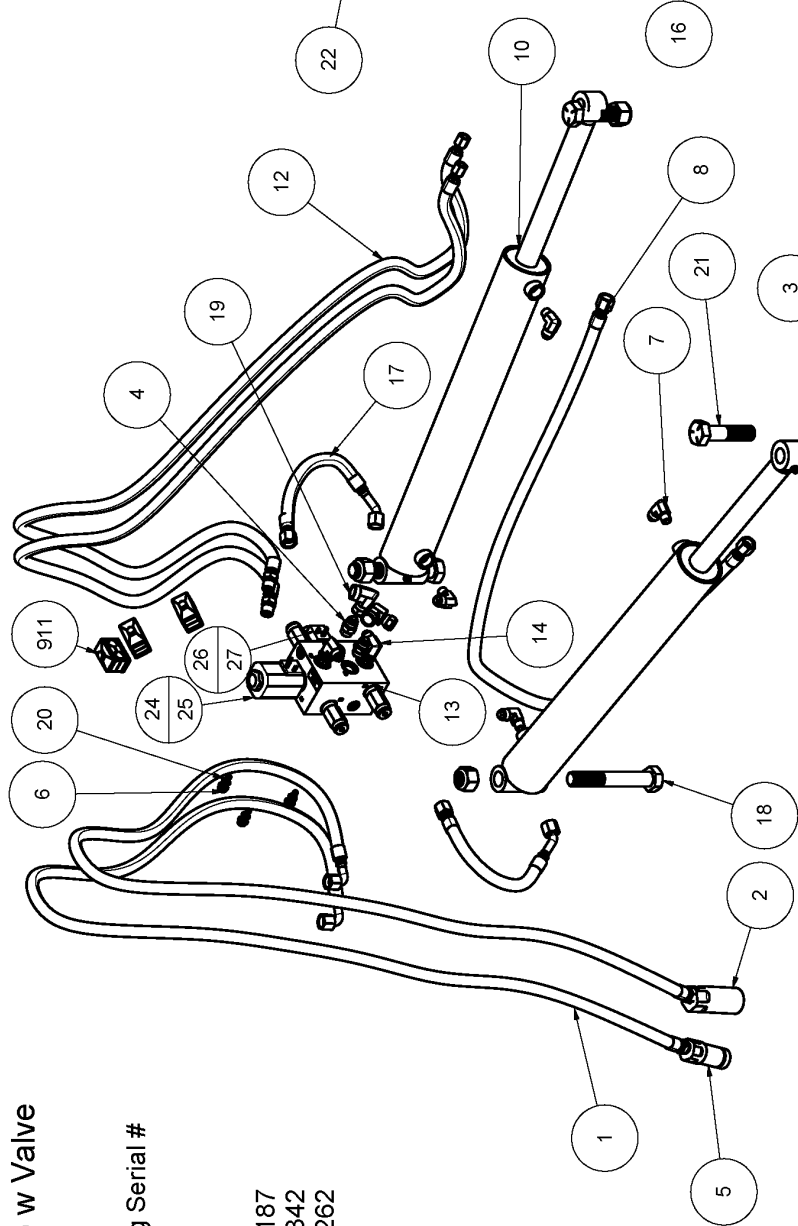
SS144-3062

SS168-3031

KBSS10 131-2187

KBSS12 131-2342

KBSS14 131-2262



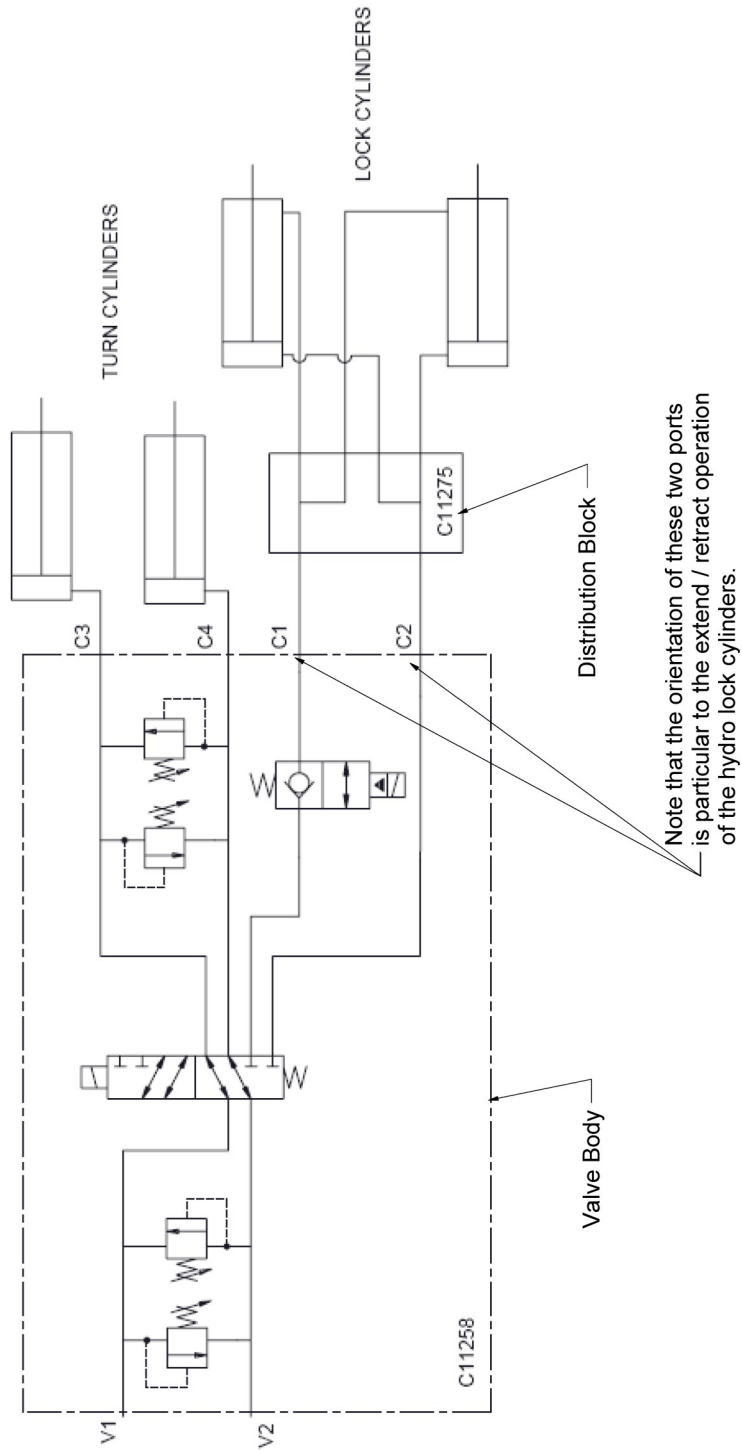
912  
 Adapts old 6 pin PLOW harness to the new 8 pin



913  
 Adapts old 6 pin MACHINE harness to the new 8 pin.

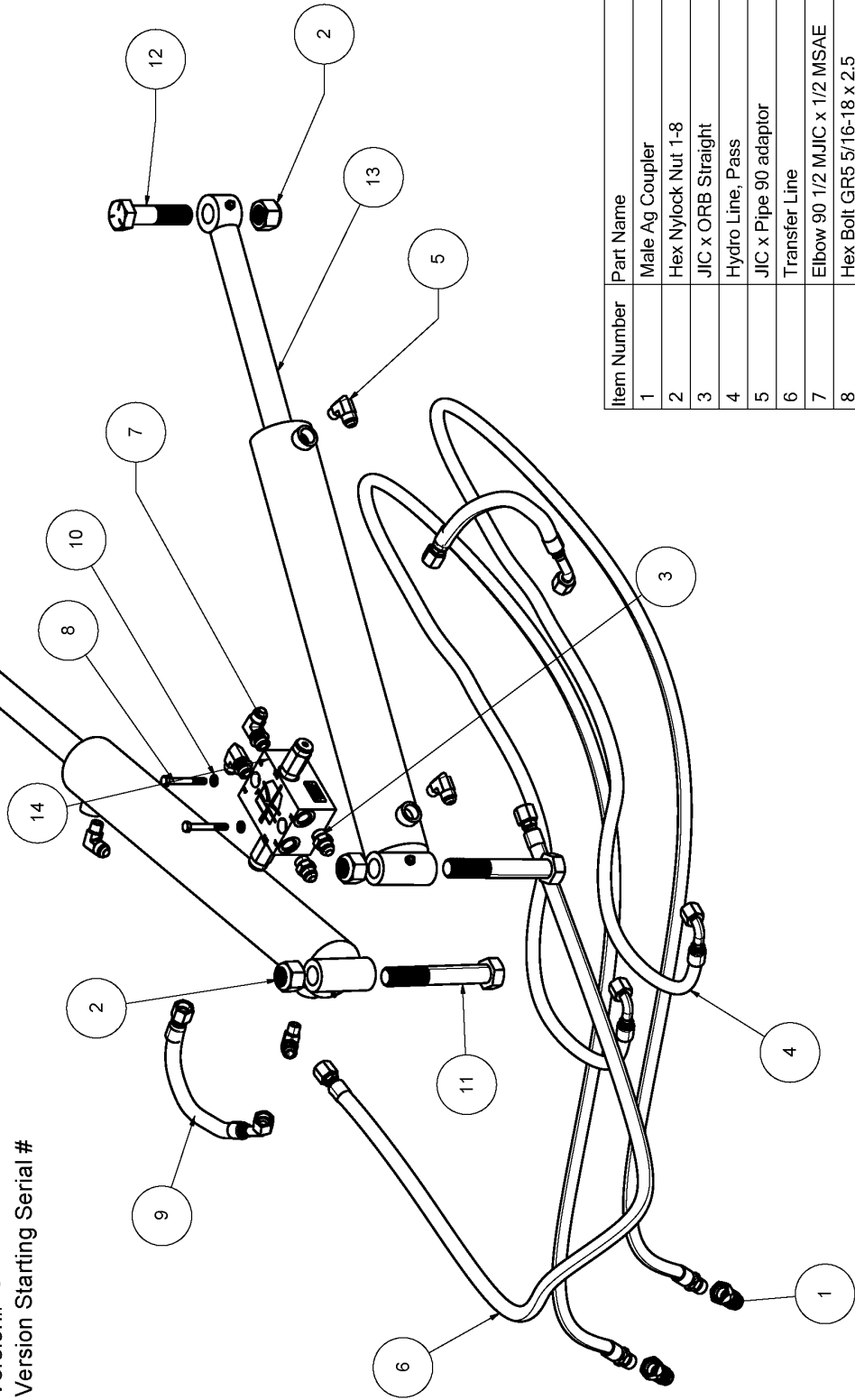
Item	Part Name	Part Number	Quantity
1	Hydro Line, Pass	HY-707	2
2	Hydro Coupler, Female	FEM-501-8FP-NL	1
3	Hex Nylock Nut 1-8	95615A320	4
4	JIC x ORB Straight	6400-0-08-08	2
5	Hydro Coupler, Male	FEM-502-8FP	1
6	Flange Hex Bolt GR5 5/16 - 18 x 1	92979A253	3
7	JIC x Pipe 90 adaptor	2501-08-08	4
8	Transfer Line	1-640	1
10	Hydraulic Cylinder 8320	PMC-8320	2
911	Beta Clamp	T3014T	3
12	Line Valve to Dist. Block	1-765	2
13	Valve Assy	C11258	1
14	Elbow 90 1/2 MJIC x 1/2 MSAE	6801-NWO-08-08	2
16	Plow Harness 8 Socket	PSCC520	1
17	Crossover Line	HY-701-ORB	2
18	Hex Bolt 1-8 x 6.5	91247A929	2
19	Female JIC 08 x Female NPT 08 90Elbow	6503-08-08	2
20	Lockwasher, 5/16	ROC-8076-030	3
21	Hex Bolt GR5 1-8 x 4	91247A920	2
22	Machine Harness 8 Pin	MSCC521	1
24	24VDC Series E Coil Large	6956024	1
25	12 VDC, DIN 43650 Large	6956012	1
26	Vickers 24VDC Coil Small	300AA00082A	1
27	12 VDC, DIN Small	300AA00081A	1
912	6 Pin Plow Harness to 8 Pin Adapter	WHA8M	0
913	6 Pin Machine Harness 8 Pin Adapter	WHA6M	0

Hydraulic Schematic for SnowStorm Angle and Hydro Clamp Functions





**Hydraulic Group 3 Point Hitch SS**  
**HYDRO3P-SS**  
 Version# 3  
 Version Starting Serial #



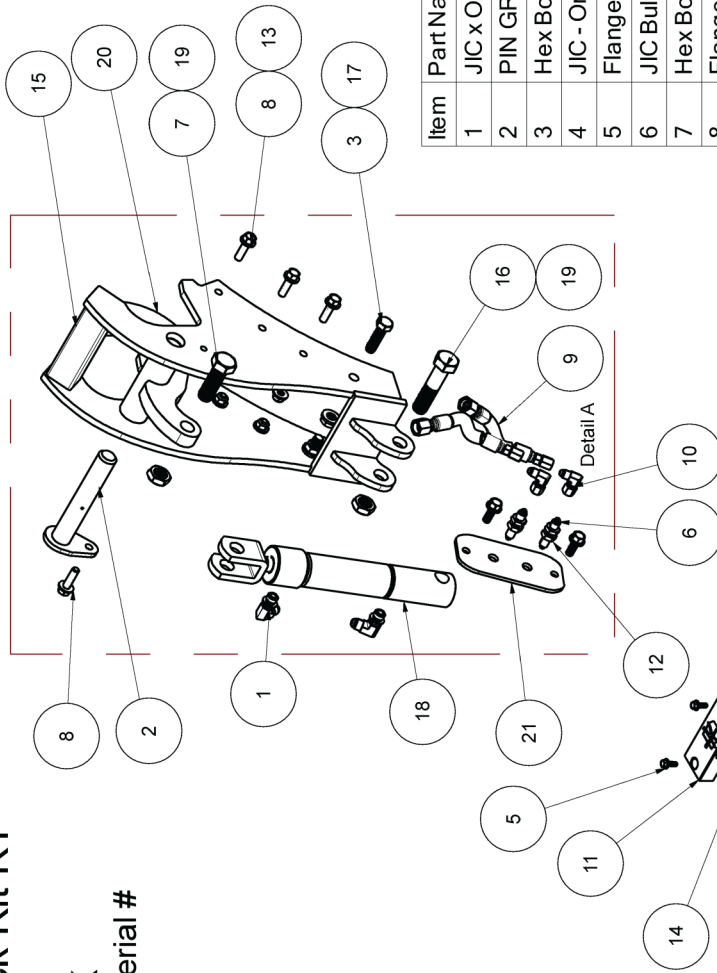
Item Number	Part Name	Part Number	Quantity
1	Male Ag Coupler	19-400	2
2	Hex Nylock Nut 1-8	95615A320	4
3	JIC x ORB Straight	6400-0-08-08	2
4	Hydro Line, Pass	HY-707	2
5	JIC x Pipe 90 adaptor	2501-08-08	4
6	Transfer Line	1-640	1
7	Elbow 90 1/2 MJIC x 1/2 MSAE	6801-NWO-08-08	2
8	Hex Bolt GR5 5/16-18 x 2.5	91247A593	2
9	Crossover Line	HY-701-ORB	2
10	Lockwasher, 5/16	ROC-8076-030	2
11	Hex Bolt GR5 1-8 x 6.5	91247A929	2
12	Hex Bolt GR5 1-8 x 4	91247A920	2
13	Hydraulic Cylinder 8320	PMC-8320	2
14	Crossover Valve 2500	CRV-2500	1

**WEIGHT LBS 145.2**

Copyright Kage Innovation. All Rights Reserved. www.kageinnovation.com (844) 314-KAGE



**HD Hydro Lock Kit KT  
HDL-KT**  
Version # BLANK  
Version Starting Serial #



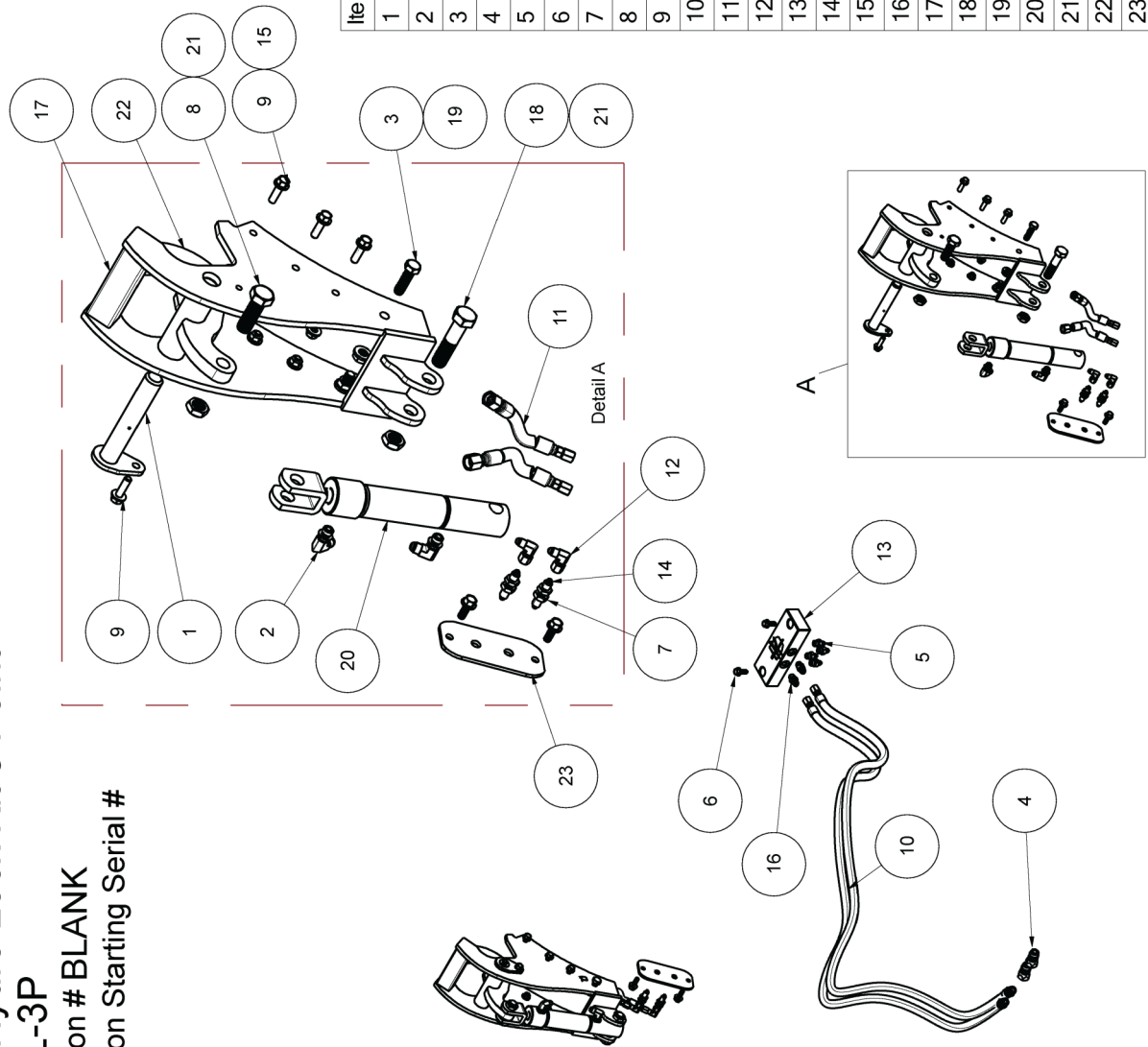
**NOTE:**  
For units without the electric valve option, Hydraulic Hose "Line Valve - Dist. Block, Long" part #HY-801 must be used

Item	Part Name	Part Number	Quantity
1	JIC x ORB Elbow Adapter	6801-NWO-06-06	4
2	PIN GROUP	44	2
3	Hex Bolt GR5 1/2 - 13 x 1.75	92865A718	4
4	JIC - Oring 04x06	6400-0-04-06	4
5	Flange Hex Bolt 3/8 - 16 x 1	92979A344	6
6	JIC Bulkhead 04x04	2700-04-04	4
7	Hex Bolt GR5 3_4-10 x 2.25	92865A844	2
8	Flange Hex Bolt 3/8 - 16 - 1.25	92979A348	14
9	Line, Blade to Hydro Clamp	1-871	4
10	JIC 90 Elbow 04X04	6500-04-04	4
11	Distribution Block	C11275	1
12	Bulkhead Nut GR5 7_16-20	94846A520	4
13	Flange Locknut, 3/8 -16	93298A130	12
14	JIC - Oring 06x06	6400-0-06-06	2
15	Hydro Bracket LG	51-350	2
16	Hex Bolt GR8 3/4-10 x 3.25"	91257A848	2
17	Flange Locknut 1/2 - 13	RF12130FZ	4
18	Hydro Lock Cylinder	BM-0413	2
19	GR5 Hex Nut Thin Nylock 3/4-10	91342A230	4
20	Clamp Group	387	2
21	Line Cap	11-201	2

**Weight LBS 76.67**



**HD Hydro Lock Kit 3 Point**  
**HDL-3P**  
 Version # BLANK  
 Version Starting Serial #



Item	Part Name	Part Number	Quantity
1	PIN GROUP	44	2
2	JIC x ORB Elbow Adapter	6801-NWO-06-06	4
3	Hex Bolt GR5 1/2 - 13 x 1.75	92865A718	4
4	Male Ag Coupler	19-400	2
5	JIC - Oring 04x06	6400-0-04-06	4
6	Flange Hex Bolt 3/8 - 16 x 1	92979A344	6
7	JIC Bulkhead 04x04	2700-04-04	4
8	Hex Bolt GR5 3/4 - 10 x 2.25	92865A844	2
9	Flange Hex Bolt 3/8 - 16 - 1.25	92979A348	14
10	Line Valve to Dist. Block	1-765	2
11	Line, Blade to Hydro Clamp	1-871	4
12	JIC 90 Elbow 04X04	6500-04-04	4
13	Distribution Block	C11275	1
14	Bulkhead Nut GR5 7/8 - 16-20	94846A520	4
15	Flange Locknut, 3/8 - 16	93298A130	12
16	JIC - Oring 06x06	6400-0-06-06	2
17	Hydro Bracket LG	51-350	2
18	Hex Bolt GR8 3/4-10 x 3.25"	91257A848	2
19	Flange Locknut 1/2 - 13	RF1213OFZ	4
20	Hydro Lock Cylinder	BM-0413	2
21	GR5 Hex Nut Thin Nylock 3/4-1C	91342A230	4
22	Clamp Group	387	2
23	Line Cap	11-201	2

**Weight LBS 79.38**

(844) 314-KAGE

www.kageinnovation.com

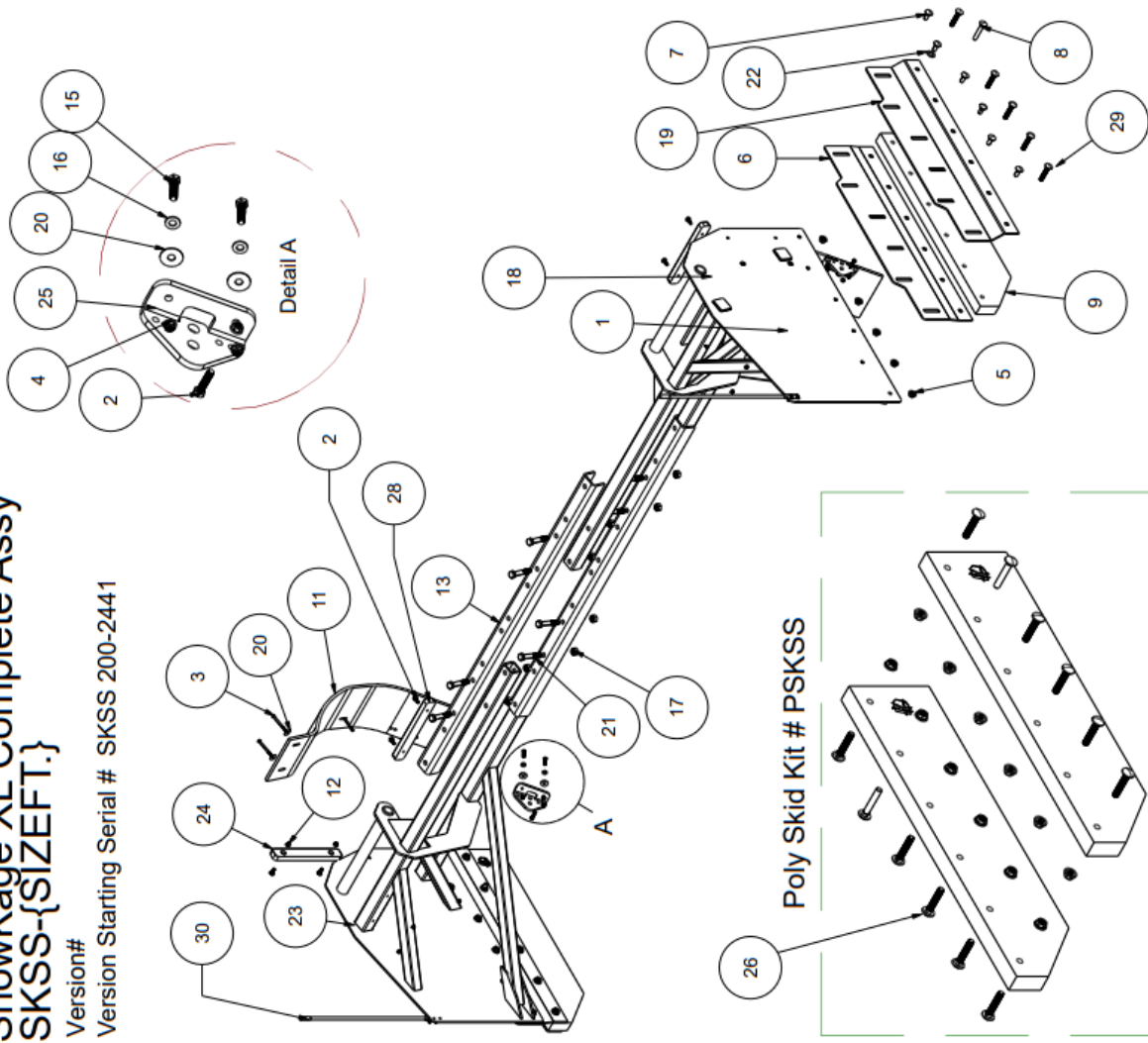
Copyright Kage Innovation. All Rights Reserved





# SnowKage XL Complete Assy SKSS-{SIZEFT.}

Version#  
Version Starting Serial # SKSS 200-2441



Item	Part Name	Part Number	Qty
1	SnowKage SS Decal	DEC-2	2
2	Flange Hex Bolt 3/8 - 16 x 1	92979A344	6
3	Hex Bolt 5/16-18 x 3.5"	91247A597	6
4	Flange Locknut 5/16-18	92018A320	12
5	Flange Locknut 5/8-11	3221357	24
6	Skid Support, Inner	23-102-P	2
7	Carriage Bolt 5/8-11 x 1.5	K567009	12
8	Carriage Bolt 5/8-11 x 3.5"	90185A822	2
9	Poly Skid SS	PE-900	2
11	Snow Catch SS	R77-2	2
12	Flange Locknut, 3_8 -16	93298A130	4
13	Center C Channel	55-003	2
14	Name Plate	KAGE001-11399-2	1
15	Hex Bolt GR5 3/8-16 x 1.5	92865A628	4
16	Flat Washer 3/8	ROC-8071-031	4
17	Center Locknut GR2 3/4-10	90040A147-K5	8
18	SnowKage Side Frame, Driver	SFLD-12	1
19	Skid Support, Outer	23-103-P	2
20	Fender Washer, 3/8	91090A121	10
21	Hex Bolt GR8 3/4-10 x 4"	91257A851	8
22	Flat Washer 20mm	91166A320	2
23	SnowKage Side Frame, Passenger	SFLP-12	1
24	Isolator Black	N24-1	2
25	Snow Catch Angle LG	12-900	2
26	Poly Skid Kit SS	PSKSS	0
27	Carriage Bolt GR5, 3/8 - 16 x 1	ROC-2131-624	4
28	Isolator	N24-2	2
29	Carriage Bolt 5/8-11 x 3.25	90185A258	10
30	Plow Guide	W-1578	2

Copyright Kage Innovation All Rights Reserved www.kageinnovation.com (844) 314-KAGE

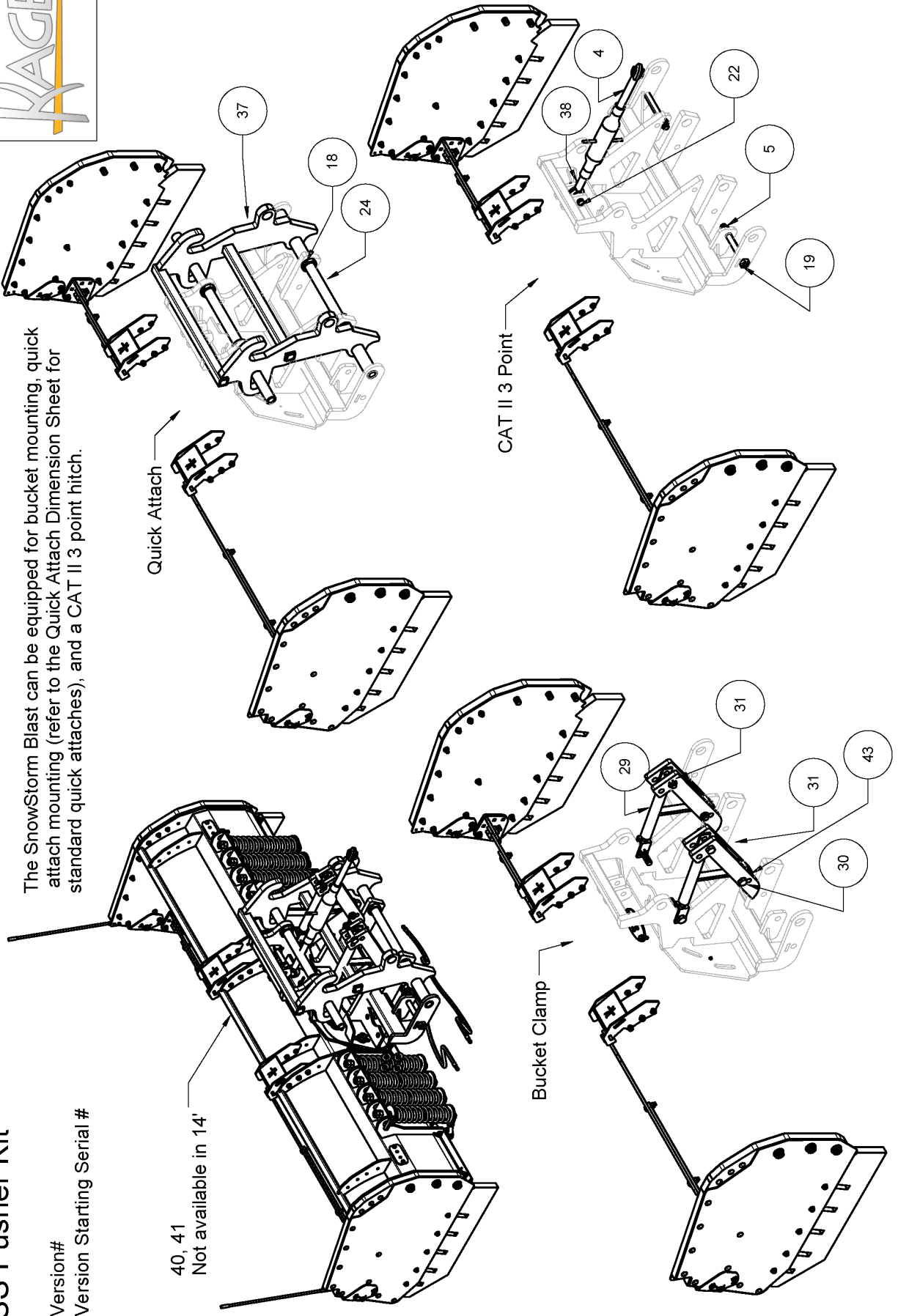


# SS Pusher Kit

Version#  
Version Starting Serial #

40, 41  
Not available in 14'

The SnowStorm Blast can be equipped for bucket mounting, quick attach mounting (refer to the Quick Attach Dimension Sheet for standard quick attaches), and a CAT II 3 point hitch.



WEIGHT LBS

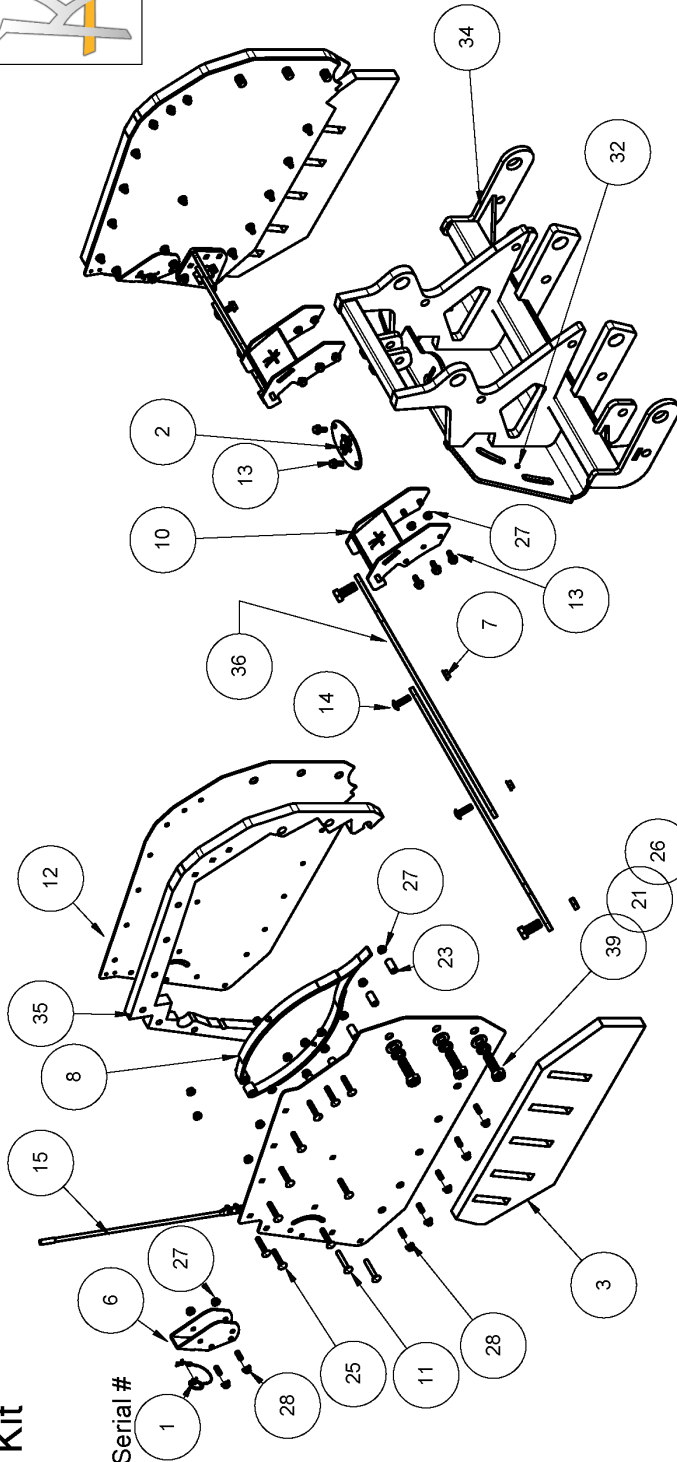
www.kageinnovation.com (844) 314-KAGE

Copyright Kage Innovation All Rights Reserved



# SS Pusher Kit

Version#  
Version Starting Serial #



Item	Part Name	Part Number	QTY
1	98412A505-Loop-Grip Clevis Pin with Hairpin Cotter Pin	98412A505	2
2	Hole Cap	404-1	1
3	Pusher Skid	6912587	2
4	Top Link CAT III	22530	1
5	Hex Nylock Nut 1 1/8-7	95615A340	2
6	Leaf Spring Lock	6914889	2
7	Flange Locknut 5/8-11	3221357	4
8	Leaf Spring	123456789121	4
9	SS Pusher Panel Outer	663-5973	2
10	Pusher Brace Bracket	6914899	2
11	Carriage Bolt GR5 1/2-13 x 3	ROC-2131-724	4
12	SS Pusher Inner Panel	663-1422	2
13	Flange Hex Bolt Grade 5 1/2 - 13 x 1.25	92979A467	14
14	Carriage Bolt 5/8-11 x 2	90185A810	4
15	Plow Guide	W-1578	2
16	1-8 Thin Hex Nylock Nut Gr5	91342A260	10
17	HEX BOLT GR8 1-8 x 2.25	92620A954	4
18	2 IN Clamping Shaft Collar	6435K27	4
19	Hex Bolt GR8 1 1-8 - 7 x 10	92620A322	2
20	Universal Brace Weldment	691895	3
21	SAE Flat Washer 1 x 2	90126A038	6
22	Top Link Pin 5.25	21261	2

Item	Part Name	Part Number	QTY
23	Skid Bushing	B-812515	10
24	Float DOM Pin	663-5624	2
25	Carriage bolt 1/2 - 13 x 2.5	90185A722	20
26	Lockwasher 1"	91102A038	6
27	Flange Locknut 1/2 - 13	RF12130FZ	50
28	Hex Flange Bolt 1 2-13 x 3 IN	90409A155	14
29	Ratchet Jack	22590	2
30	Hex Bolt GR8 1-8 x 5	91257A965	6
31	Cam roll	663-8766	4
32	Grease Zerk, 3/8-24	1095K96	4
33	SS Blast Decal	663-5974	2
34	SS Pusher Slot Plate	663-8500	1
35	SS Pusher Panel Spacer	663-2861	2
36	Stiff Arm Plate	6912563	4
37	JRB Coupler Series 416	JRB-416	1
38	Lynch Pin 5/16	90170A226	1
39	Hex Bolt GR8 1-8 x 3.25	92620A959	6
40	Moldboard Assy SS 10	KBSS10	1
41	Moldboard Assy SS12	KBSS12	1
42	Moldboard Assy SS14	KBSS14	1
43	1--375 washer	13W	4

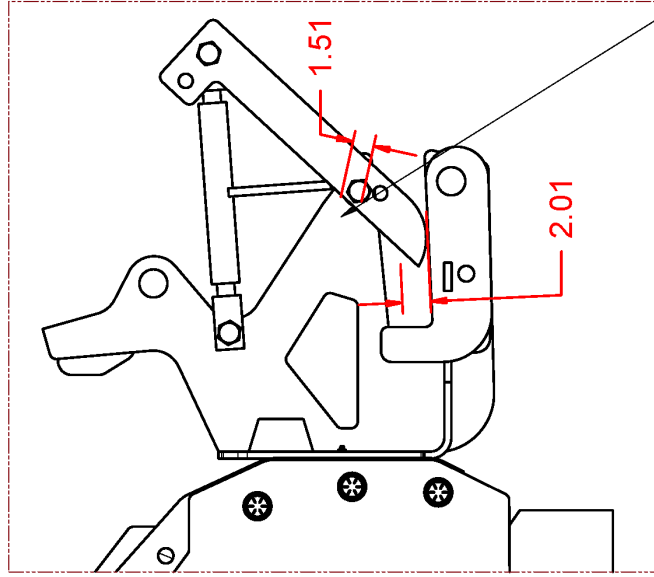
Copyright Kage Innovation All Rights Reserved www.kageinnovation.com (844) 314-KAGE

WEIGHT LBS

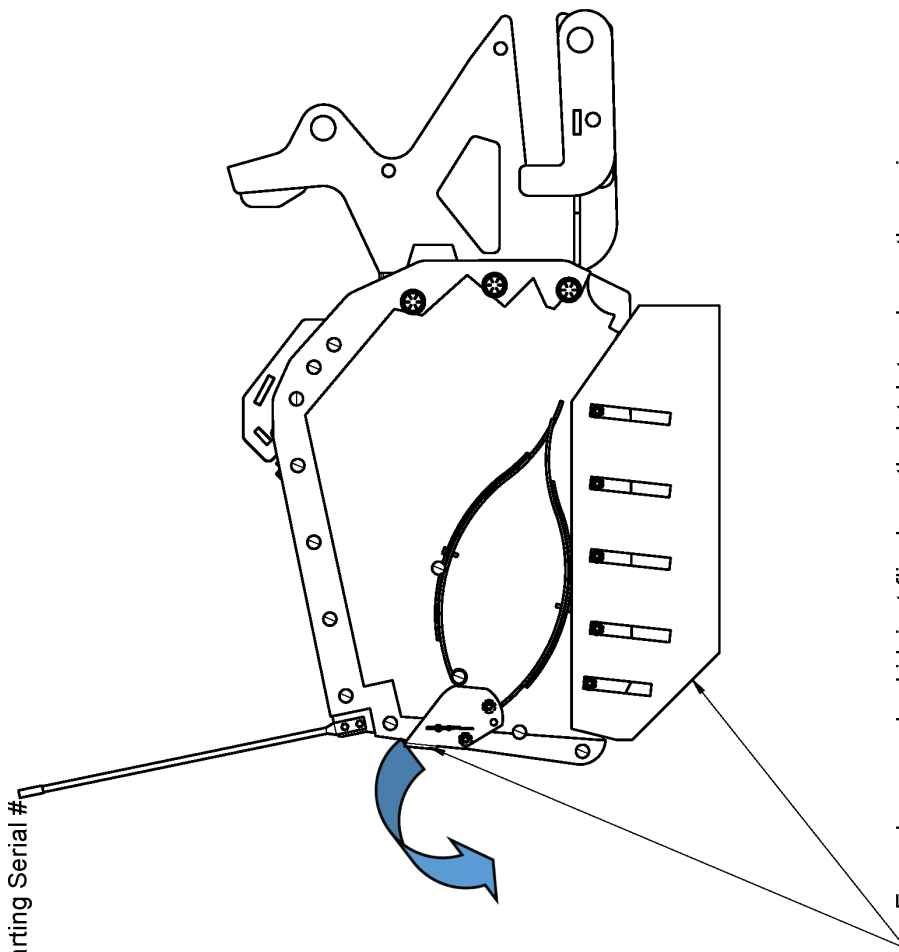


# SS Pusher Kit

Version#  
Version Starting Serial #



Two pivot locations for cam to accommodate various bucket thicknesses.



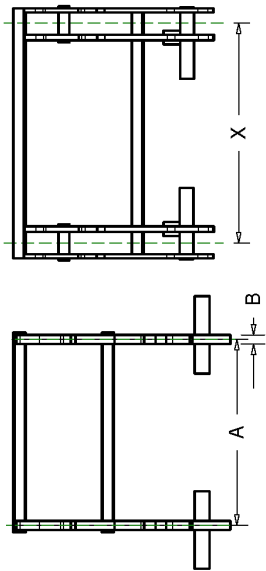
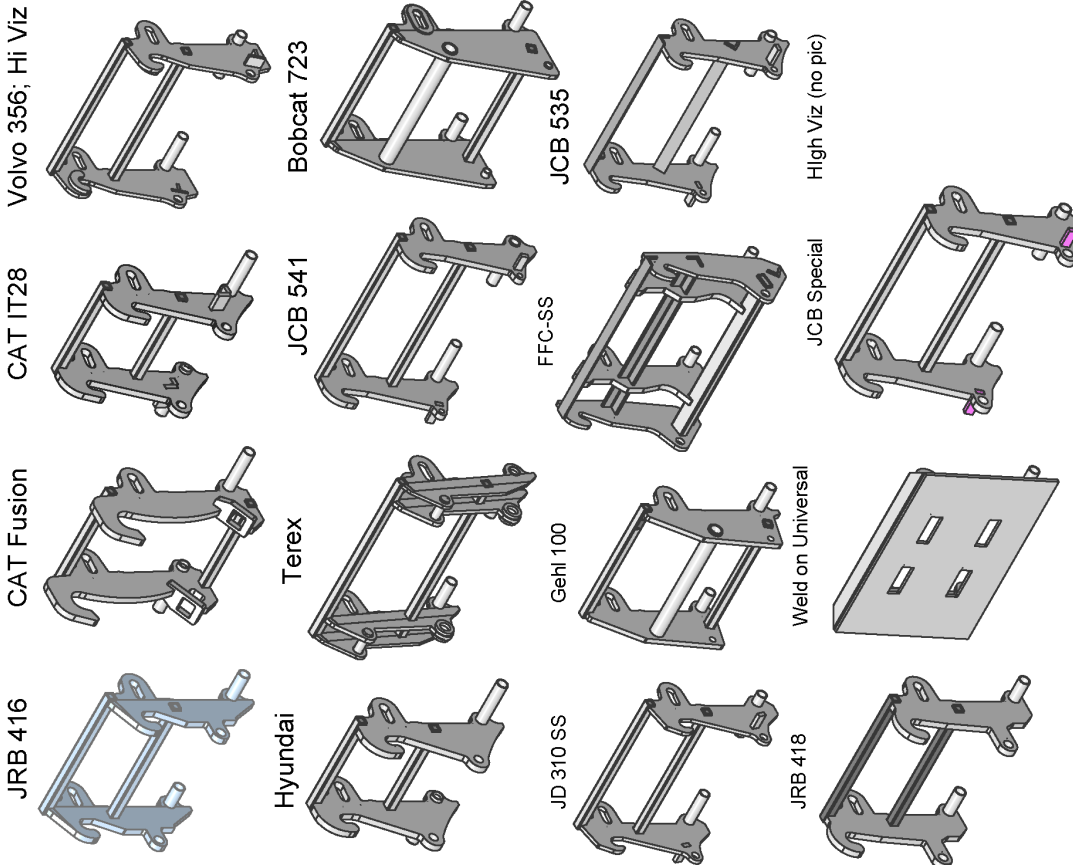
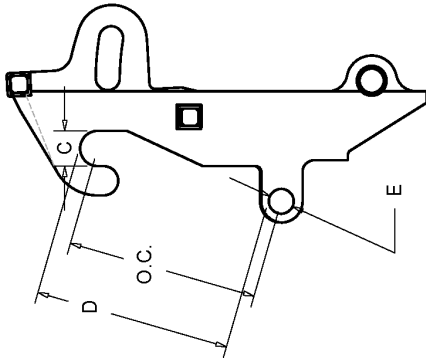
Easy change poly skid: just flip down the latch to release the spring tension. Remove 5 bolts and bushings at the bottom. Skid will drop out and be replaced. Don't forget to re-install the bushings.

WEIGHT LBS

Copyright Kage Innovation. All Rights Reserved www.kageinnovation.com (844) 314-KAGE

# Quick Attach Dimension Chart SS

Fill out table with your coupler's relevant dimensions.  
Send sheet to your Dealer, or Kage salesmen.



Couplers available for use with SnowStorm Kage Blades.  
Use this chart to confirm which coupler will fit on your machine.  
All dimensions are in inches.  
If you do not see your coupler here, call for availability.

X: Marks additional width dimensions for ears on different planes than the main ears

Quick Attach	Kage Part Number	A	B	C	D	E	O.C.	X	Non Stocked Additional cost
JRB 416	JRB-416	30.628	1.500	3.001	16.72	2.126	16.281		
CAT Fusion	CATFUSION	22.875	1.500	5.000		3.376			
CAT IT28	CATIT28F-K	22.250	1.500	2.520	20.17	2.062	19.937		
Volvo	356-1	39.360	1.000	2.420	24.44	2.000	24.260		
Hyundai	HL740TM	22.287	1.500	2.461	20.12	1.992	19.770		
Terex	TERSKI863	34.250	4.000	1.969	19.66	2.362	19.860	39.250	Yes
JCB 541	JCB541SS	42.484	1.500	2.266	24.19	1.265	23.687		
Bobcat 723	BBTC-723	31.250	1.000	3.250	23.18	1.275	22.437		Yes
John Deere 310	310ss	38.000	1.000	2.688	20.76	1.825	20.330		Yes
Gehl 100	GEHL100SS	30.750	1.250	3.250	14.67	1.44	13.750		
Case/FFC	FFC-SS	47.500	1.000	2.066	24.37	2.060	24.498		
JCB 535	535-200	40.625	1.25	2.437	24.10	1.500	23.625		
JRB 418	JRB-418	32.750	1.500	3.030	21.17	2.060	20.670		
CAT IT38	CATIT-38	36.250	1.500	3.090	23.31	2.060	22.790		
ACS 2000	QA90006150				20.22	2.54			Yes
ACS 1000									Yes
Universal	UNV-700								
JCB Special		39.563	1.5	2.5	24.44	2.00	24.19		Yes
High Viz	544HV	39.120	1.500	2.440	24.47	2.064	24.28		Yes
Your Coupler									

## **Kage Limited Warranty**

Kage Innovation will repair or, at the option of Kage Innovation, replace those parts which prove defective due to material or workmanship under normal use for a period of two (2) years from the date of retail sale or date of invoice from Kage Innovation, whichever is later. Expendable items, such as rubber, or polyurethane are excluded from this warranty.

Kage Innovation warrants that the products manufactured by us to be in accordance with our published specifications or those specifications agreed to by us in writing at the time of sale. The obligation of Kage Innovation is expressly limited to repairing or replacing, at its option, any product not meeting such specifications within the warranty period.

### LIMITATIONS OF WARRANTY AND DAMAGES

KAGE INNOVATION MAKES NO OTHER WARRANTY, EXPRESSED OR IMPLIED, AND MAKES NO WARRANTY OF MERCHANTABILITY OR OF FITNESS FOR ANY PARTICULAR PURPOSE. THERE ARE NO WARRANTIES WHICH EXTEND BEYOND THE FACE HEREOF.

IN NO EVENT SHALL KAGE INNOVATION, BE HELD LIABLE FOR SPECIAL, INCIDENTAL OR CONSEQUENTIAL DAMAGES OR FOR DAMAGES RESULTING FROM MISAPPLICATION, ABUSE, MISUSE, ACTS OF GOD, UNAUTHORIZED ALTERATION OF THE KAGE INNOVATION PRODUCT, OR SUBSTITUTION OF PARTS NOT AUTHORIZED IN WRITING BY KAGE INNOVATION.

To obtain service under this warranty the consumer must return the defective Kage Innovation product to Kage Innovation directly, the dealer from which the product was purchased or to any authorized Kage Innovation dealer, transportation and freight charges prepaid. Only Kage Innovation dealers are authorized to perform the obligations under this warranty with pre-authorization from Kage Innovation.

No person is authorized to alter or amend this warranty or to create any warranty other than that set forth herein without the expressed written consent of Kage Innovation.

Kage Innovation reserves the right to make improvement changes on any of our products without prior notice.



## Revision Comments

<b>Date</b>	<b>Name</b>	<b>Description</b>
4/9/2024	Mike	Updated to new format. Also shows new 'blast' version of moldboard assemblies, and new 3 point converter in the 3 point pivot frame. Added reference to the 6 pin—8 pin harness adapters.
2/14/2025	Josh	Updated SnowKage XL breakdown