

# SHADOWBLADE FLOW SYSTEM

PATENT PROTECTED



## GAIN THE EDGE

Using tractors as a seasonal piece of equipment is a waste of money. That's why KAGE Innovation has developed, tested and brought to market the NEW ShadowBlade. Now tractors can be a year-round, useful machine for your landscaping and snow-removal business.

Tractors are efficient, powerful tools that can cut plow times in half when hooked to a ShadowBlade. Consider adding one to your fleet of snow-removal machines.

## FEATURES

- > Dual blades for LEFT and RIGHT On-The-Go Plowing
- > Increase Swath Width 40-50%
- > Easy-to-Operate Joystick mounted in the cab
- > Attaches to CAT II 3-Point Hitch
- > Optional 18-inch wing extension



### SHADOWBLADE

#### TRACTOR REQUIREMENTS

AGRICULTURE TRACTORS 60HP + / 9500lb +

ONE REAR AUXILIARY HYDRAULIC W/DETENT

CAT II 3-POINT HITCH (MOST COMMON)



#### OPTIONAL LASER GUIDANCE SYSTEM

Track the edge of your ShadowBlade to precisely calculate its reach avoiding potential obstacles by using the KAGE Wingline.





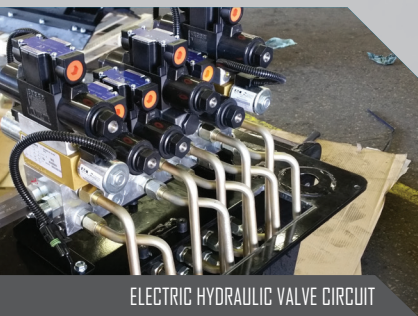
# SHADOWBLADE SPECIFICATIONS



**LEFT & RIGHT** Blade deployment is controlled by a joystick from the cab

**TRAVEL POSITION** stores the blade down and behind the tractor for better operator visibility

**DUAL EDGE BLADES** keep the driver on the move plowing snow from either side of the tractor



ELECTRIC HYDRAULIC VALVE CIRCUIT

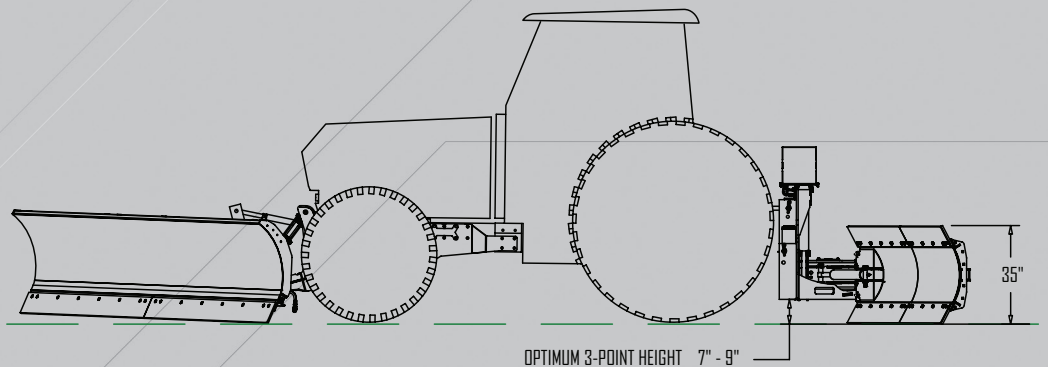
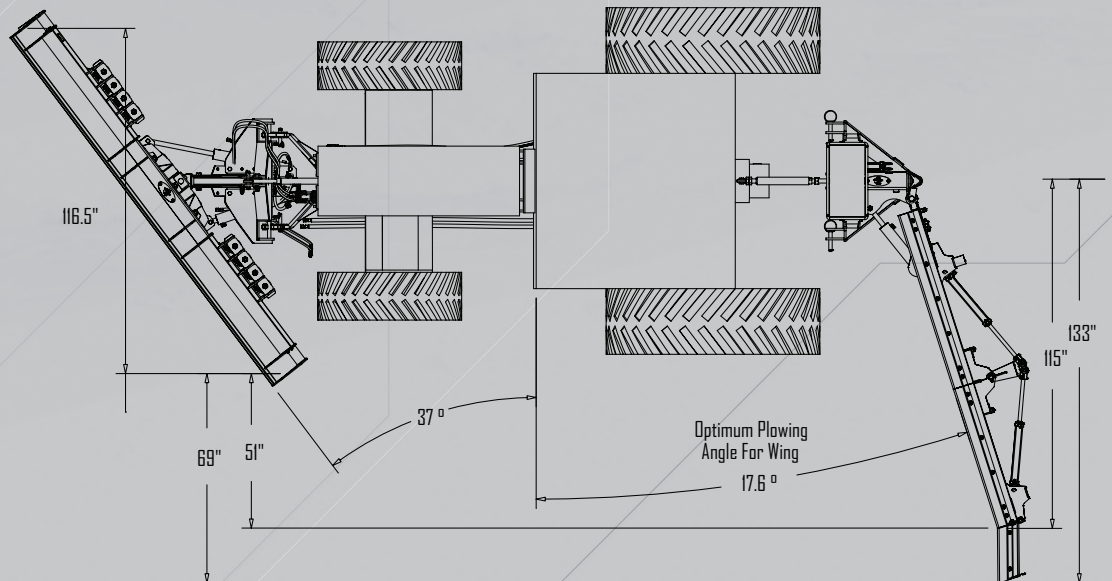


EASY-TO-OPERATE JOYSTICK



ROTATE MEMBER / SAFETY LOCK

Example:  
12' Blade Angled 37°



TO ORDER CALL [651-433-4628](tel:651-433-4628), OR GO ONLINE: [KAGEINNOVATION.COM](http://KAGEINNOVATION.COM)