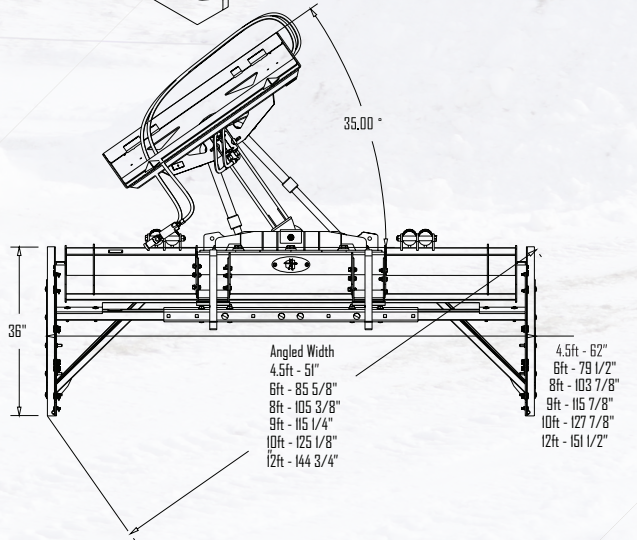
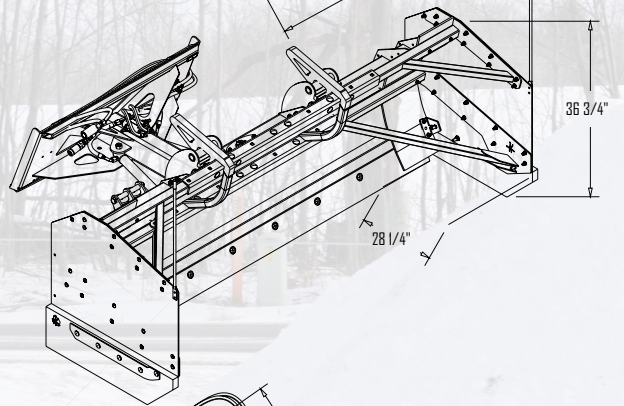
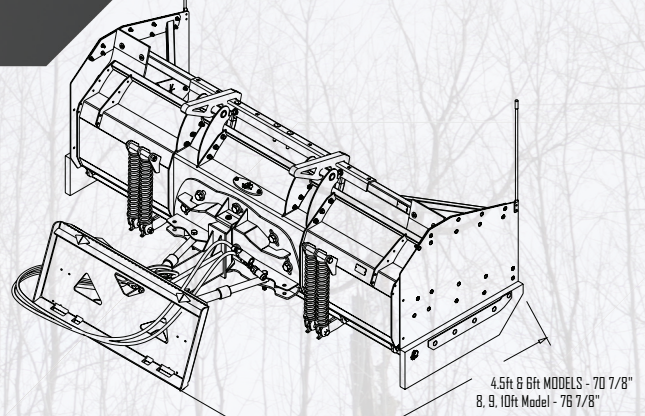


# SNOWFIRE 2-in-1 PLOW SYSTEM

PATENT PROTECTED

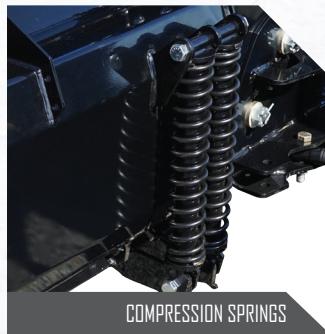


## CONQUER THE JOB

Having the ability to blade and contain the snow in a moments notice gives the operator the ability to clear a lot of snow in a fraction of the time compared to conventional pushers or truck plows.

### FEATURES

- > Powder-coated Finish
- > 8 INCH Trip Edge Supported by Compression Springs
- > 6-BOLT Oscillation Plate
- > Adjustable Polyurethane Skids
- > Replaceable Side Panels
- > Patented SNOWKAGE Hooks for quick attach/detach
- > MASSIVE 1.25" x 13" King Pin [Greaseable]



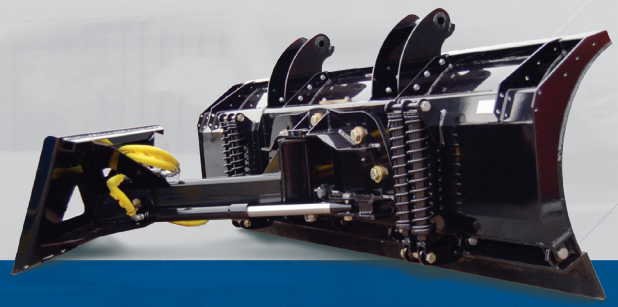
BOX TO BLADE can be achieved in less than 5 seconds!



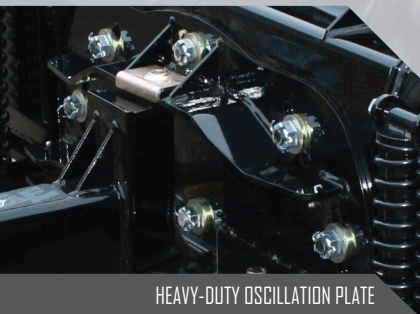


# SNOWFIRE BLADE & SNOWKAGE

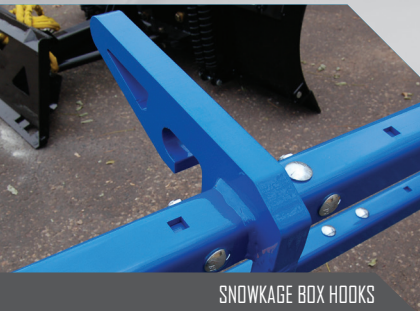
The SNOW KAGE Box hooks onto a skid steer snow plow to instantly create a revolutionary containment system.



CROSSOVER RELIEF VALVE



HEAVY-DUTY OSCILLATION PLATE



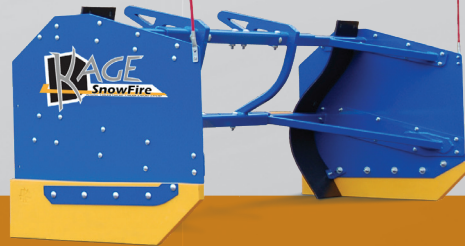
SNOWKAGE BOX HOOKS



SAFETY TRIP EDGE

## SNOW BLADE

FOR MACHINES WEIGHING 5,000 LB. +	MODEL SB 54	MODEL SB 72	MODEL SB 96	MODEL SB 108	MODEL SB 120	MODEL SB 144
BLADE WIDTH	4.5'	6'	8'	9'	10'	12'
BLADE WIDTH AT FULL ANGLE	51"	59"	79"	88-1/2"	98-1/4"	125"
OSCILLATION (DEGREES/INCH) EACH END	6° / 5-1/2"	6° / 7-1/2"	6° / 10"	6° / 11-1/4"	6° / 12-1/2"	6° / 15"
MOLDBOARD RADIUS	15-1/2"					
MOLDBOARD GAUGE/STEEL GRADE	10 ga. / Grade 50					
UNIVERSAL SKID STEER ATTACHMENT GUIDE	Standard					
TRIP SPRINGS	4 Compression	4 Compression	4 Compression	4 Compression	4 Compression	8 Compression
MACHINE SIZE RECOMMENDATION	3,000 +	5,000 +	6,000 +	6,500 +	7,000 +	9,000+
CUTTING EDGE	5/8" x 6" High Carbon					
CROSS-OVER RELIEF VALVE	Standard					
PIVOT FRAME LENGTH	Shortened (25")	Shortened (25")	Standard Length (31")			
WEIGHT	822 LB.	906 LB.	1,031 LB.	1,087 LB.	1,147 LB.	1,651 LB.
CYLINDERS (2)	1-1/2" Rod	1-1/2" Rod	1-1/2" Rod	1-1/2" Rod	1-1/2" Rod	2" Rod
BLADE HEIGHT	31-1/8"	31-1/8"	31-1/8"	31-1/8"	31-1/8"	31-1/8"



## SNOWKAGE

FOR MACHINES WEIGHING 5,000 LB. +	MODEL SB 54	MODEL SB 72	MODEL SB 96	MODEL SB 108	MODEL SB 120	MODEL SB 144
OVERALL HEIGHT	40"	40"	40"	40"	40"	40"
OVERALL WIDTH	62"	80"	104"	116"	128"	151-1/2"
REPLACEMENT SIDE PANELS	YES	YES	YES	YES	YES	YES
HOOK THICKNESS (SKID STEER ONLY)	1-1/2"	1-1/2"	1-1/2"	1-1/2"	1-1/2"	1-1/2"
REPLACEABLE POLYURETHANE SKIDS	36" x 9-3/4" x 1-1/2"					
UNIT WEIGHT	366 LB.	366 LB.	442 LB.			
MACHINE SIZE RECOMMENDATION	3,000 +	5,000 +	6,000 +	6,500 +	7,000 +	9,000 +
OVERALL WIDTH AT 35° ANGLE	68"	85-5/8"	105-3/8"	115-1/4"	125-1/8"	144-3/4"
TOTAL WEIGHT (BLADE & BOX)	1,158 LB.	1,272 LB.	1,473 LB.	1,529 LB.	1,589 LB.	2,093 LB.

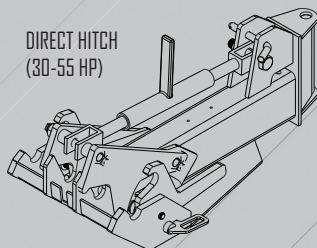
MOST ORDERS SHIP WITHIN 24 HOURS. CALL FOR DETAILS.

## ATTACHMENT OPTIONS

UNIVERSAL SKID STEER

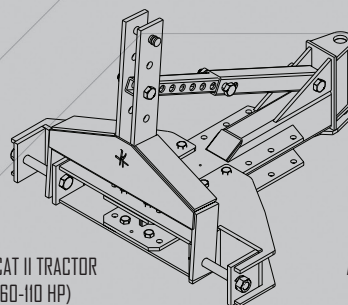


DIRECT HITCH  
(30-55 HP)

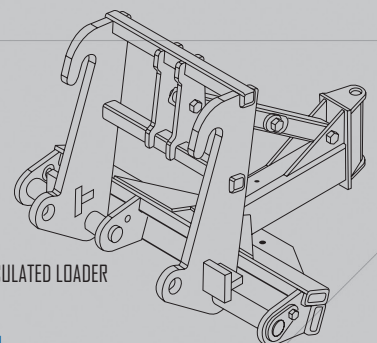


FOR USE WITH KAGE TRACTOR UNDER-HITCH

CAT II TRACTOR  
(60-110 HP)



ARTICULATED LOADER



TO ORDER CALL 651-433-4628, OR GO ONLINE: [KAGEINNOVATION.COM](http://KAGEINNOVATION.COM)