

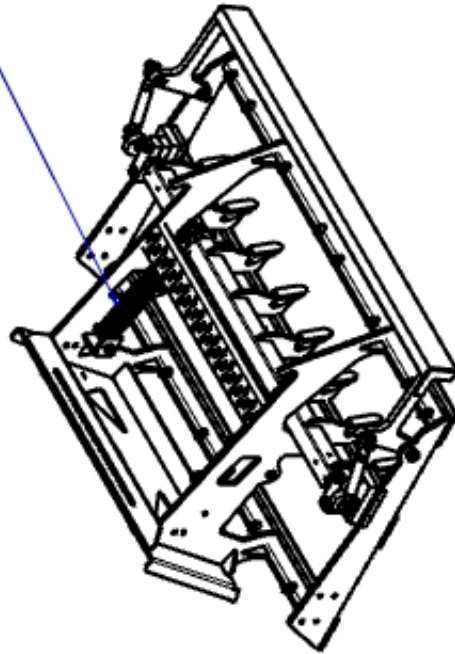


# GreatER Bar™

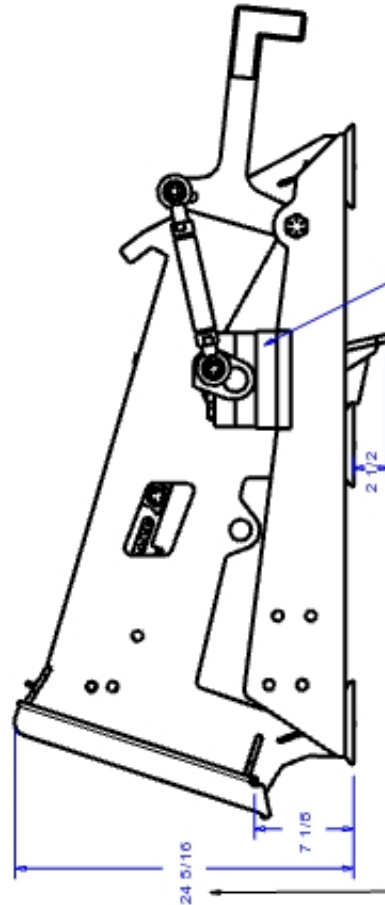
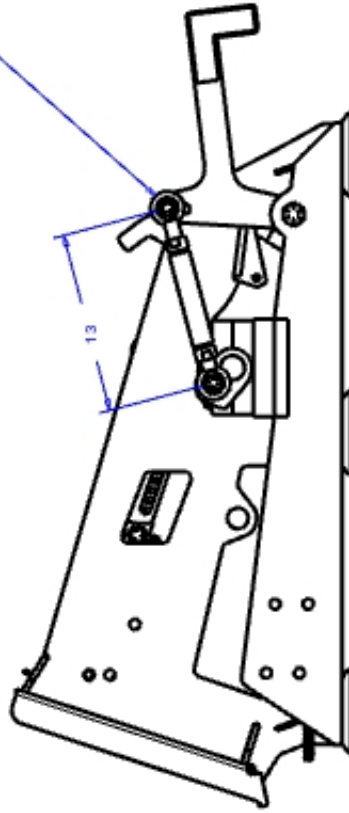
## Owners Manual



Spring tubes should be visually checked for blockage before each use.  
 Replace blades before wear in mounting angle begins

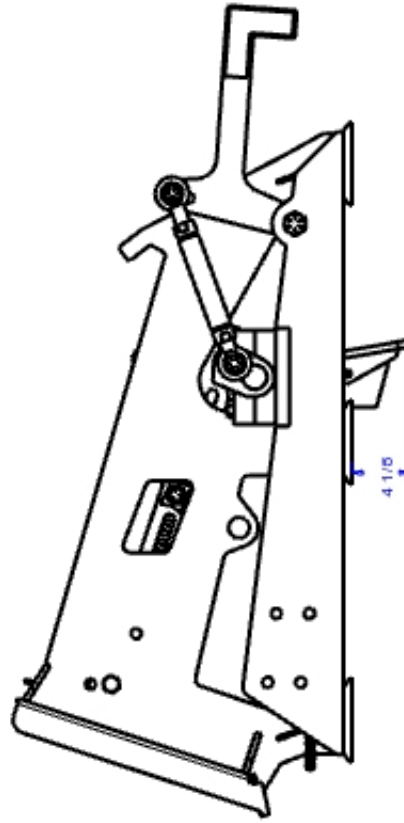


Default length for top link is 13". Lengthening or moving to the lower bolt hole will allow teeth deployment with less downward angle. However this will increase the pressure required to activate the teeth.  
 Lighter machines may need to reduce the length of the top link.



Note Skid Steer door clearance

Tooth depth can be increased 1-1/2" by removing the plastic spacer.

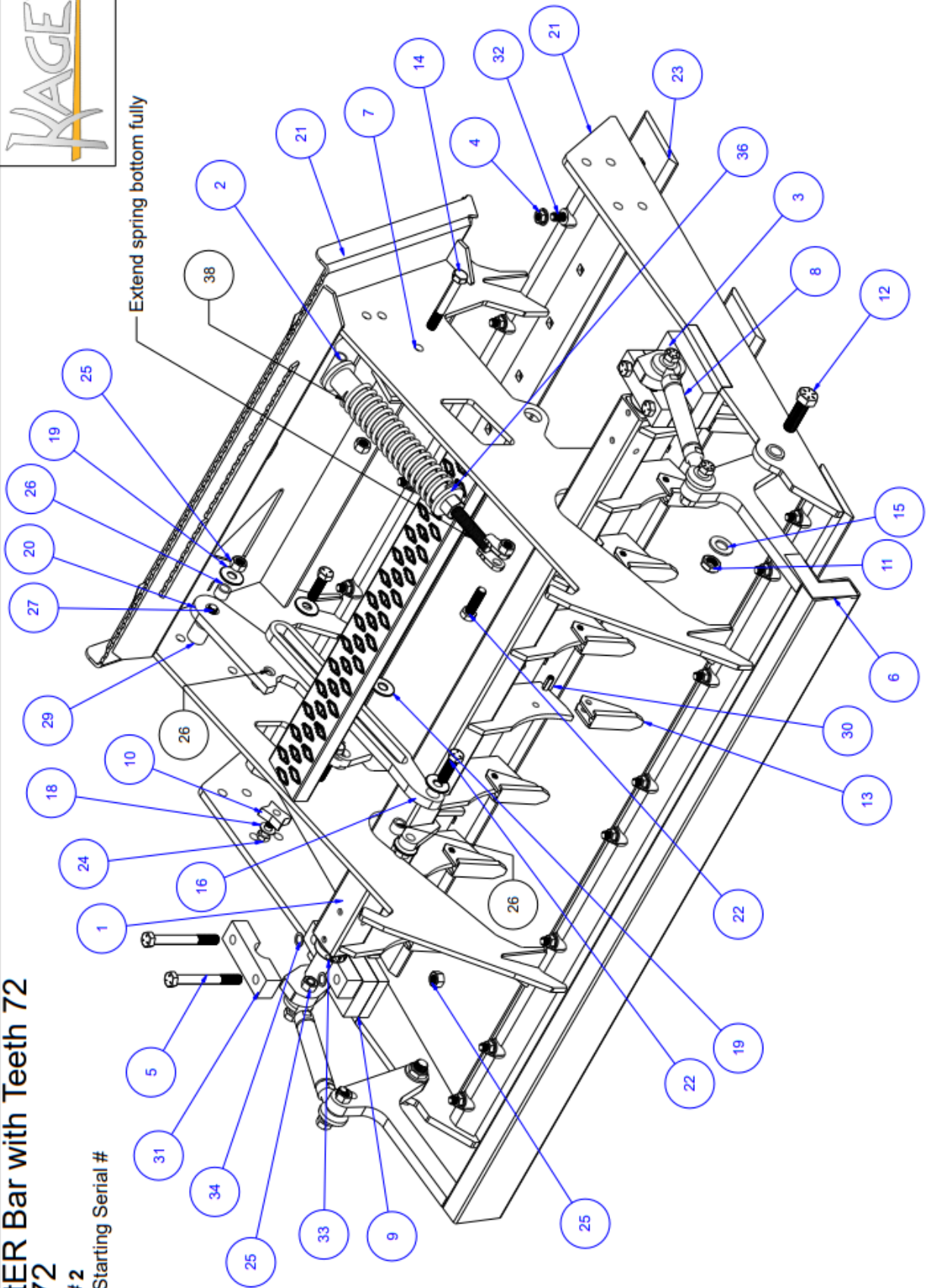




# GreatER Bar with Teeth 72

Version# 2

Version Starting Serial #



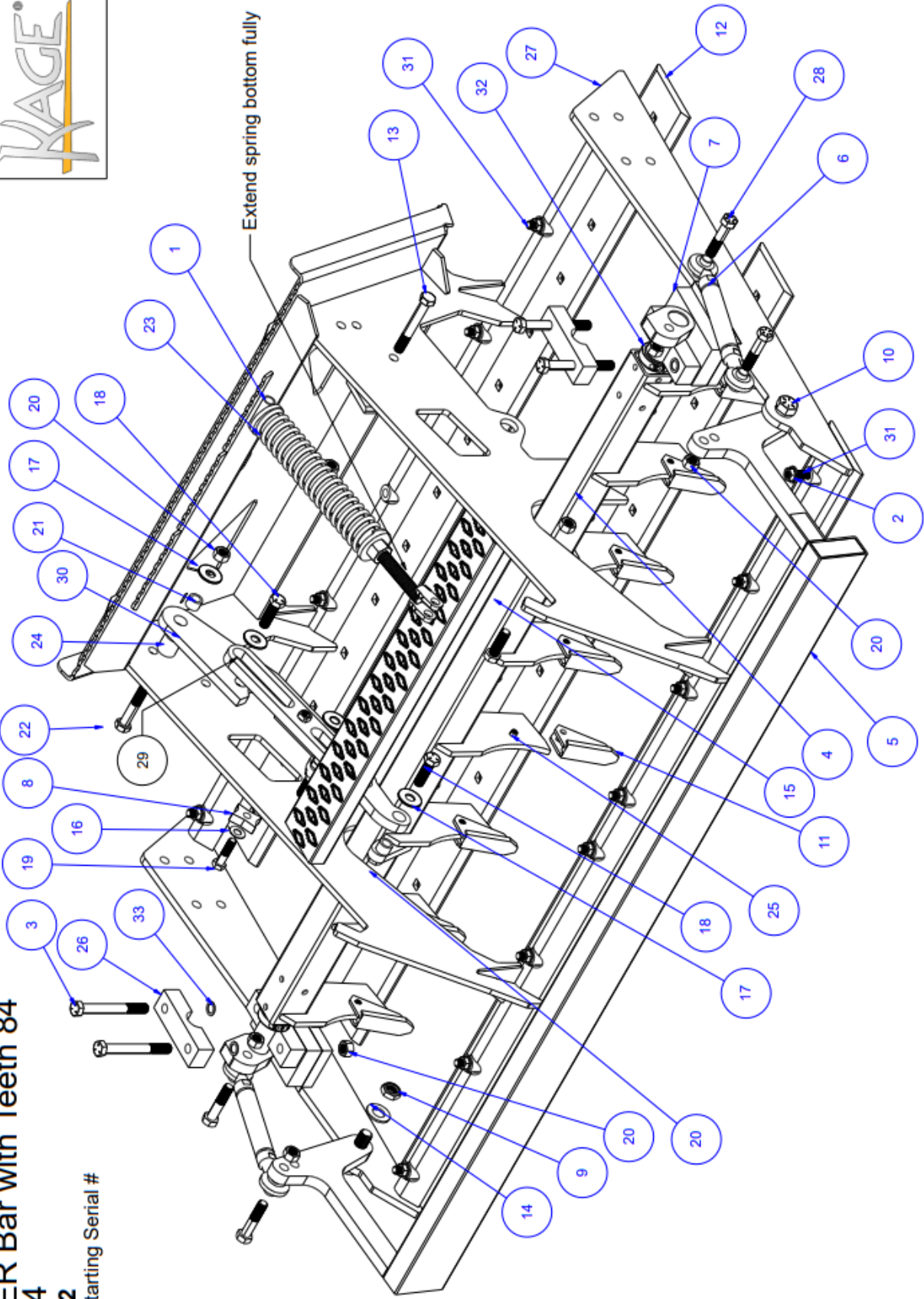
WEIGHT LBS 932

Copyright Kage Innovation All Rights Reserved www.kageinnovation.com (844) 314-KAGE

Item	Part Name	Part Number	Quantity	Alibre Part Revision
1	Teeth Bar Weldment 72	G1200	1	1
2	Spring Top L	SP900	1	BLANK
3	Hex Bolt GR8 3/4-10 x 3.5	91257A849	4	BLANK
4	Flange Locknut 5/8-11	3221357	24	BLANK
5	Hex Bolt GR5 3/4-10 x 6.5	91247A860	4	BLANK
6	Star Latch Lever Weldment 72	G1400	1	1
7	Bushing .75 x .5	98042A718	1	BLANK
8	Top Link CAT I	103161	2	BLANK
9	Bar Spacer	G1108	2	2
10	Star Gear	G1103	1	4
11	1-8 Thin Hex Nylock Nut Gr5	91342A260	2	BLANK
12	Hex Bolt Gr8 1-8 x 3.25	92620A959	2	1
13	Tooth Cap	G1300	8	1
14	Hex Bolt GR8 3/4-10 x 5.5	91257A857	1	BLANK
15	SAE Flat Washer 1 x 2	90126A038	2	BLANK
16	Guide Plate Weldment	G1150	1	1
18	Flat Washer 5/8	90126A035	1	BLANK
19	3/4" Flat Washer	90108A036	5	BLANK
20	Gear Plate Weldment	G1550	1	1
21	Base Weldment 72	G1500	1	1
22	Hex Bolt Gr5 3/4-10 x 2.5	92865A845	3	BLANK
23	Grader Cutting Edge 72	GCE72	3	1
24	Hex Bolt GR5 5/8-11 x 2.5	91247A804	1	BLANK
25	CenterLocknut GR2 3/4-10	90040A147-K5	12	BLANK
26	Gear Plate Bushing	G1551	4	2
27	Hex Bolt GR8 3/4-10 x 4"	91257A851	1	BLANK
29	Gear Bushing	G1256	1	2
30	Roll Pin 1 x 1-1/2	95755A641	8	1
31	Rotation Block	G1106	4	3
32	Plow Bolt 5/8-11 x 3-1/2	90934A808	24	BLANK
33	1.75 Shaft Collar	3370K39	2	BLANK
34	Ring Shim 0.0250 3/4 ID	98090A380	4	1
36	Spring Bottom 2013	SP-160	1	BLANK
37	Hex Bolt GR8 3/4-10 x 3.25"	91257A848	1	BLANK
38	Spring (old style)	SP1-4	1	BLANK



**GreatER Bar with Teeth 84**  
**GBT84**  
Version# 2  
Version Starting Serial #



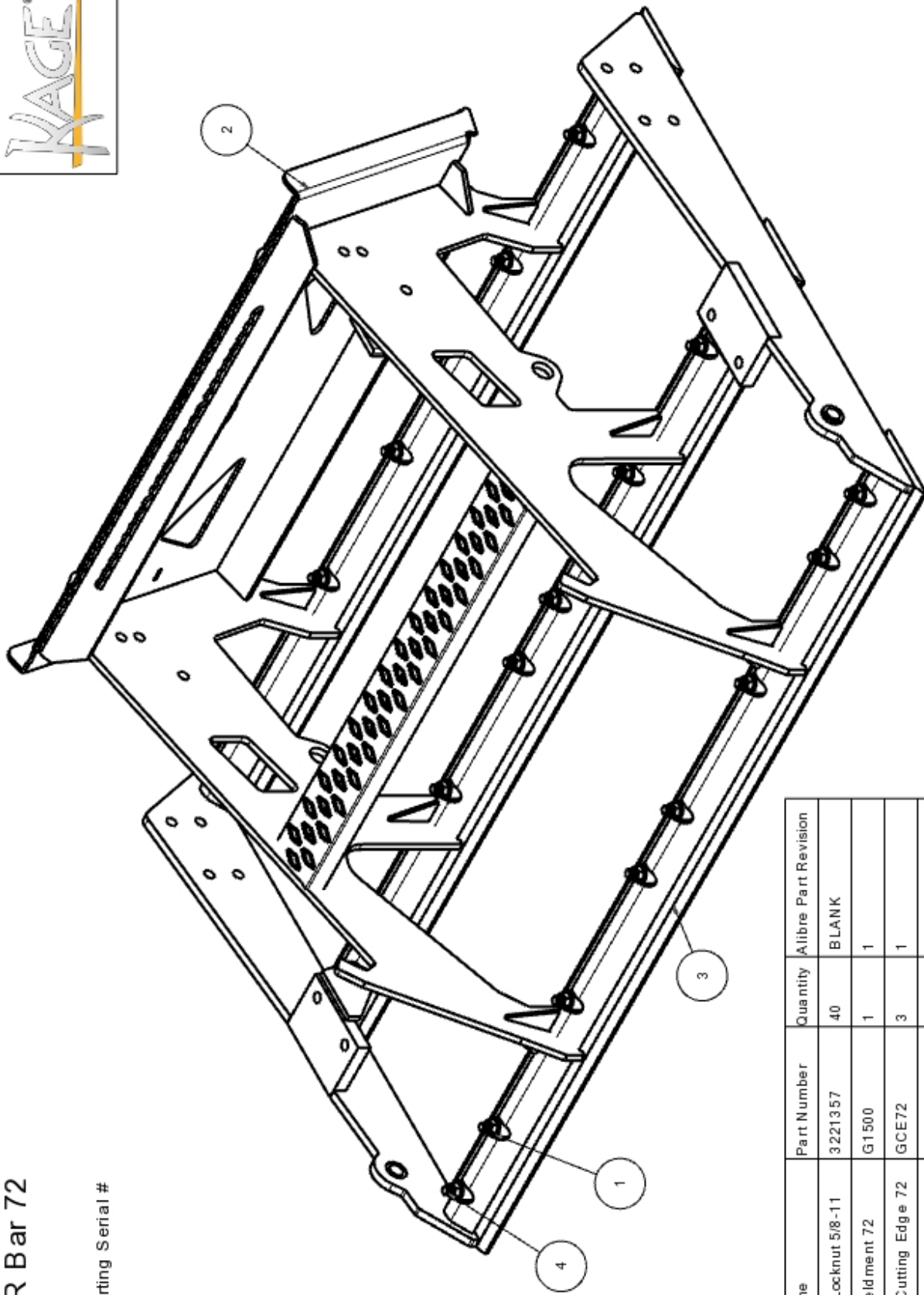
**WEIGHT LBS 1066**

Copyright Kage Innovation All Rights Reserved    www.kageinnovation.com    (844) 314-KAGE

Item	Part Name	Part Number	Quantity	Alibre Part Revision
1	Spring Top L	SP900	1	BLANK
2	Flange Locknut 5/ 8-11	3221357	24	BLANK
3	Hex Bolt GR5 3/ 4-10 x 6.5	91247A860	4	BLANK
4	Teeth Bar Weldment 84	G1275	1	1
5	Star Latch Lever Weldment 84	G1450	1	1
6	Top Link CAT I	103161	2	BLANK
7	Bar Spacer	G1108	2	2
8	Star Gear	G1103	1	4
9	1-8 Thin Hex Nylock Nut Gr5	91342A260	2	BLANK
10	Hex Bolt Gr8 1-8 x 3.25	92620A959	2	1
11	Tooth Cap	G1300	8	1
12	Grader Cutting Edge 84	GCE84	3	1
13	Hex Bolt GR8 3/ 4-10 x 5.5	91257A857	1	BLANK
14	SAE Flat Washer 1 x 2	90126A038	2	BLANK
15	Spring Bottom 2013	SP-160	1	BLANK
16	Flat Washer 5/ 8	90126A035	1	BLANK
17	3/ 4" Flat Washer	90108A036	4	BLANK
18	Hex Bolt Gr5 3/ 4-10 x 2.5	92865A845	3	BLANK
19	Hex Bolt GR5 5/ 8-11 x 2.5	91247A804	1	BLANK
20	CenterLocknut GR2 3/ 4-10	90040A147-K5	12	BLANK
21	Gear Plate Bushing	G1551	4	2
22	Hex Bolt GR8 3/ 4-10 x 4"	91257A851	1	BLANK
23	Spring (old style)	SP1-4	1	BLANK
24	Gear Bushing	G1256	1	2
25	Roll Pin 1 x 1-1/ 2	95755A641	8	1
26	Rotation Block	G1106	4	3
27	Base Weldment 84	G1600	1	1
28	Hex Bolt GR8 3/ 4-10 x 3.5	91257A849	4	BLANK
29	Guide Plate Weldment	G1150	1	1
30	Gear Plate Weldment	G1550	1	1
31	Plow Bolt 5/ 8-11 x 3-1/ 2	90934A808	24	BLANK
32	1.75 Shaft Collar	3370K39	2	BLANK
33	Ring Shim 0.0250 3/ 4 ID	98090A380	4	1
35	Hex Bolt GR8 3/ 4-10 x 3.25"	91257A848	1	BLANK



**Greater Bar 72**  
**GB72**  
 Version#  
 Version Starting Serial #



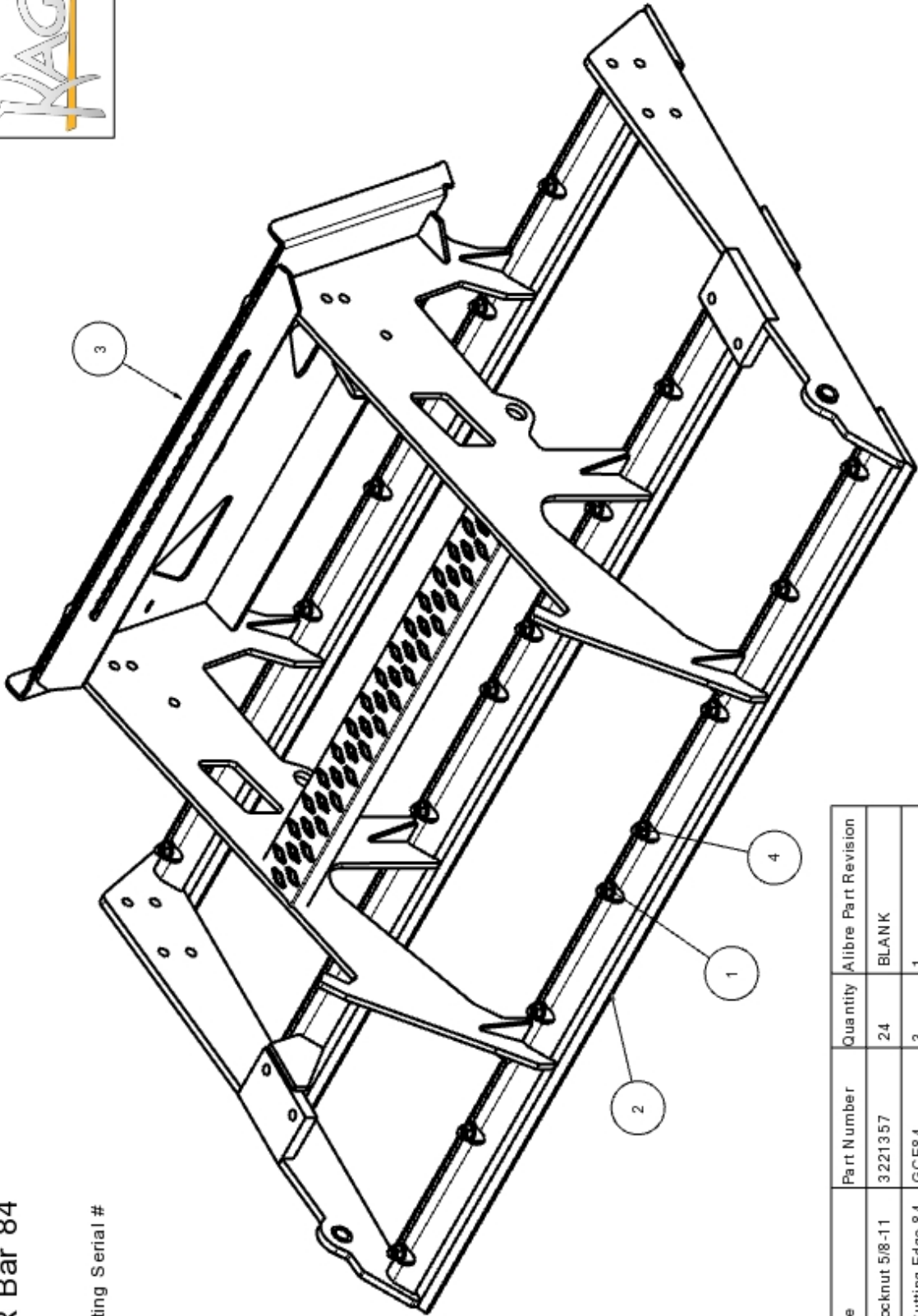
Item	Part Name	Part Number	Quantity	Alibre Part Revision
1	Flange Locknut 5/8-11	3221357	40	BLANK
2	Base Weldment 72	G1500	1	1
3	Grader Cutting Edge 72	GCE72	3	1
4	Plow Bolt 5/8-11 x 3-1/2	90934A808	26	BLANK

Copyright Kage Innovation. All Rights Reserved. [www.kageinnovation.com](http://www.kageinnovation.com) (844) 314-KAGE

WEIGHT LBS**658.00**



**GreatER Bar 84**  
**GB84**  
 Version#  
 Version Starting Serial #



Item	Part Name	Part Number	Quantity	Altire Part Revision
1	Flange Locknut 5/8-11	3.221357	24	BLANK
2	Grader Cutting Edge 84	GCE84	3	1
3	Base Weldment 84	G1600	1	1
4	Plow Bolt 5/8-11 x 3-1/2	90934A808	24	BLANK

Copyright Kage Innovation. All Rights Reserved. www.kageinnovation.com (844) 314-KAGE

WEIGHT LBS709.24



## **Kage Limited Warranty**

Kage Innovation will repair or, at the option of Kage Innovation, replace those parts which prove defective due to material or workmanship under normal use for a period of two (2) years from the date of retail sale or date of invoice from Kage Innovation, whichever is later. Expendable items, such as rubber, or polyurethane are excluded from this warranty.

Kage Innovation warrants that the products manufactured by us to be in accordance with our published specifications or those specifications agreed to by us in writing at the time of sale. The obligation of Kage Innovation is expressly limited to repairing or replacing, at its option, any product not meeting such specifications within the warranty period.

### LIMITATIONS OF WARRANTY AND DAMAGES

KAGE INNOVATION MAKES NO OTHER WARRANTY, EXPRESSED OR IMPLIED, AND MAKES NO WARRANTY OF MERCHANTABILITY OR OF FITNESS FOR ANY PARTICULAR PURPOSE. THERE ARE NO WARRANTIES WHICH EXTEND BEYOND THE FACE HEREOF.

IN NO EVENT SHALL KAGE INNOVATION, BE HELD LIABLE FOR SPECIAL, INCIDENTAL OR CONSEQUENTIAL DAMAGES OR FOR DAMAGES RESULTING FROM MISAPPLICATION, ABUSE, MISUSE, ACTS OF GOD, UNAUTHORIZED ALTERATION OF THE KAGE INNOVATION PRODUCT, OR SUBSTITUTION OF PARTS NOT AUTHORIZED IN WRITING BY KAGE INNOVATION.

To obtain service under this warranty the consumer must return the defective Kage Innovation product to Kage Innovation directly, the dealer from which the product was purchased or to any authorized Kage Innovation dealer, transportation and freight charges prepaid. Only Kage Innovation dealers are authorized to perform the obligations under this warranty with pre-authorization from Kage Innovation.

No person is authorized to alter or amend this warranty or to create any warranty other than that set forth herein without the expressed written consent of Kage Innovation.

Kage Innovation reserves the right to make improvement changes on any of our products without prior notice.