



KAGE Katcher™

Owners Manual

REV: 2023.12.1

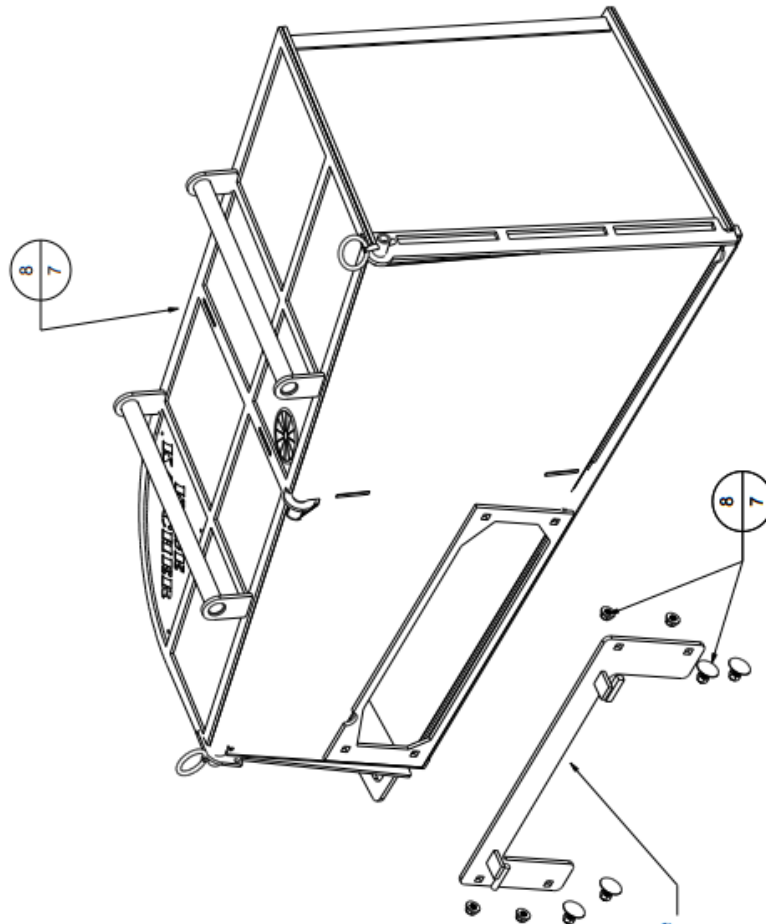




Grass Catcher Assembly 10-1000

Version#
Version Starting Serial #

Item	Part Name	Part Number	Quantity
1	Gravelly/Feris intake manifold kit	10-965	1
2	Scag intake manifold kit	10-967	1
3	Wright intake manifold	10-867	1
4	Exmark intake manifold	10-762	1
5	Toro intake manifold	10-756	1
6	Gravelly ZT Manifold Kit	10-971	1
7	Aluminum Grass Catcher 1000 Assembly	AU-1000	1
8	Steel Grass Catcher 1000 Assembly	ST-1000	1



Select from one of the available intake manifolds

WEIGHT LBS 71

Copyright Kage Innovation All Rights Reserved www.kageinnovation.com (844) 314-KAGE

WEIGHT LBS

Grass Catcher 1000 Assembly

Version#
Version Starting Serial #

Item	Part Name	Part Number	Quantity
1	Linear Actuator	10-893	1
2	Grass Catcher Harness	10-200	1
3	Grass Catcher Nameplate	10-724	1
4	Lynch Pin 5/16	90170A226	2
5	Steel Grass Catcher Side Frame	10-1200	1
10	Aluminum Grass Catcher Side Frame	10-1200-AU	1
6	Steel Grass Catcher Main Bin	10-1100	1
11	Aluminum Grass Catcher Main Bin	AU-1100	1
7	3 Inch Expandable Grommet	4946A619	1
8	Hinge Rod	10-1211	1
9	Ring-Grip Quick-Release Pin	98320A380	2
14	Elevator Bolt 3-8-16-1	92670A824	4
15	Flange Locknut, 3-8-16	93298A130	4

Copyright Kage Innovation All Rights Reserved www.kageinnovation.com (844) 314-KAGE



All Intake Manifolds

Exmark Intake Manifold

P/N: 10-762

Laser Z, Quest, Radius, Vertex, Turf-Tracer, Bobcat



Wright Intake Manifold

P/N: 10-867

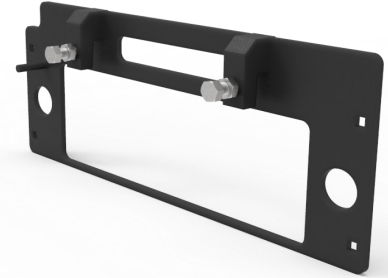
Stander B, X, ZK, Walk-behinds, zXL, zXT



Toro Intake Manifold

P/N: 10-756

Z Master, Titan



Gravely/Ferris/Ariens Manifold Adaptor

P/N: 10-965

Pro-Turn, ZT HD, 300S, 500S, IS Series, ISX Series, SRS Stand on, Ariens Zenith, Apex



Gravely ZT Manifold Adaptor

P/N: 10-971

ZT, ZT X, ZT XL



SCAG Manifold Adaptor

P/N: 10-967,

Note: We recommend using this in combination with SCAG part #424212(Turbo Baffle w/ Catcher)

Turf Tiger II, Cheetah II, Tiger Cat II, Patriot

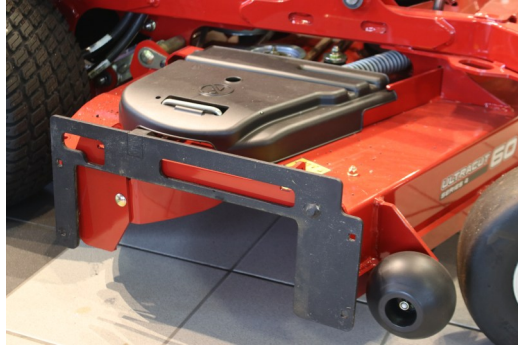


KAGE Katcher Owners Manual

Revision #1

Intake Manifold Installation References

Exmark/Bobcat:



Gravely/Ariens/
Ferris:



TORO:



Wright:



KAGE Katcher Owners Manual

Revision #1

Intake Manifold Installation References

SCAG:

Note: Two 3/8 holes must be drilled into deck for mounting bracket

It is highly recommended to install your SCAG Turbo Baffle (SCAG part #424212) before installing this manifold to prevent any interference



Gravely ZT, ZT X, ZT XL:



Switching Manifold Adaptors



Exmark Walk-Behind Installation



Exmark Stand-On Installation

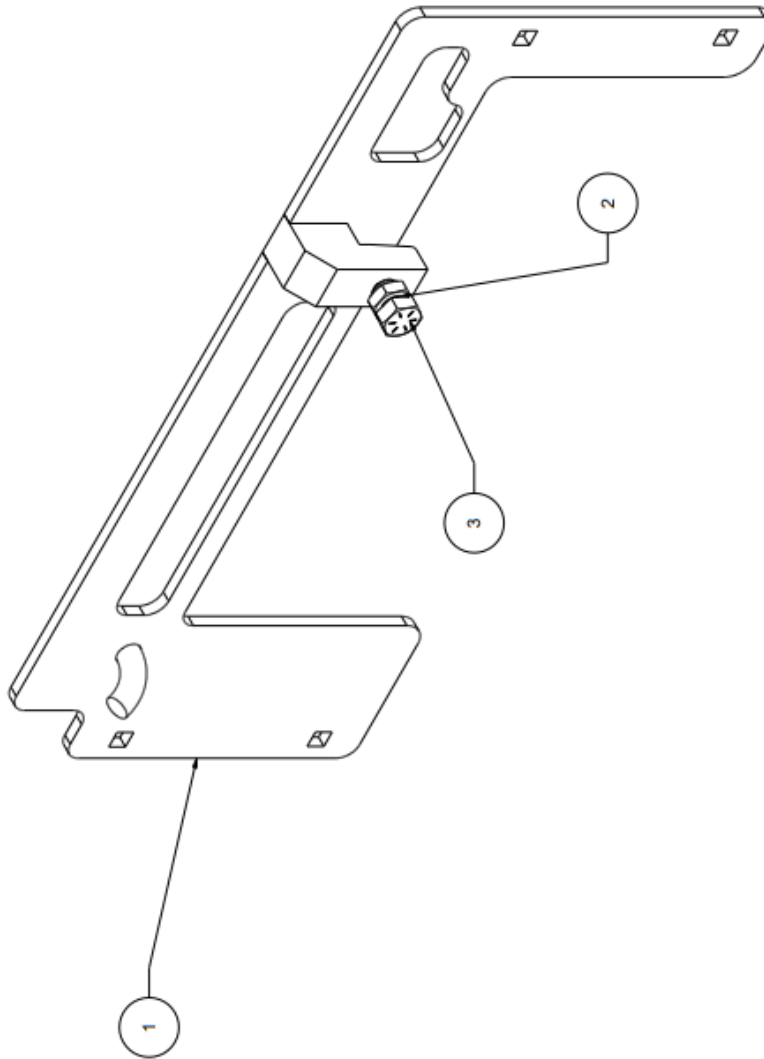


Wright Installation





Replacement Parts for Exmark/Bobcat Manifold (for Katcher AND Grass deflector)

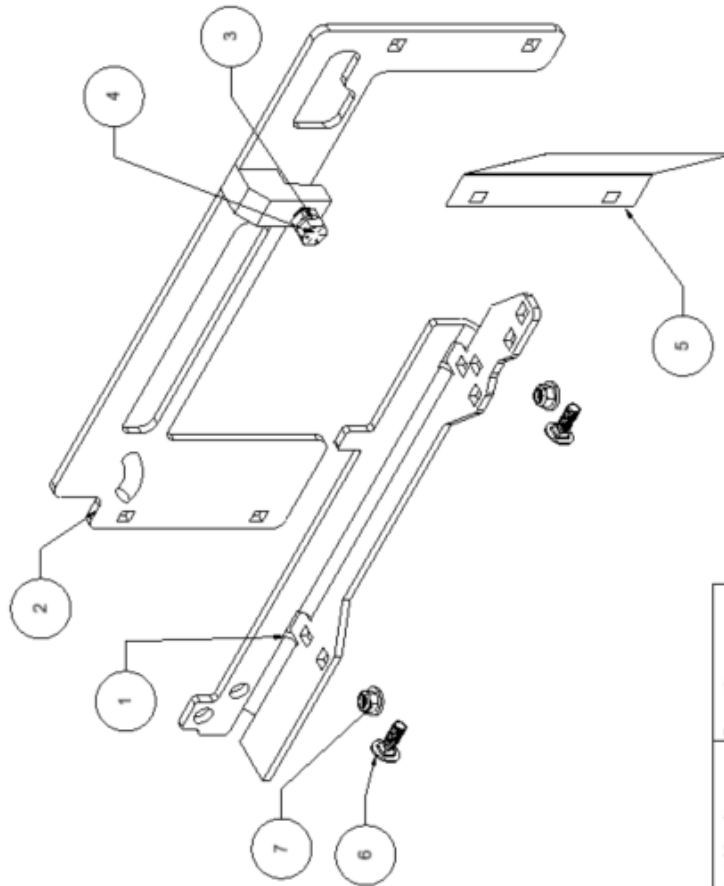


Item	Part Name	Part Number	Quantity
1	Exmark-Bobcat Intake Manifold	10-762	1
2	Hex Nylock Nut 1/2 - 13	90566A033	1
3	Hex Bolt GR5 1/2-13x1.5	92865A716	1

Copyright Kage Innovation All Rights Reserved www.kageinnovation.com (844) 314-KAGE



Replacement Parts for Ferris Manifold (for Katcher AND Grass Deflector)

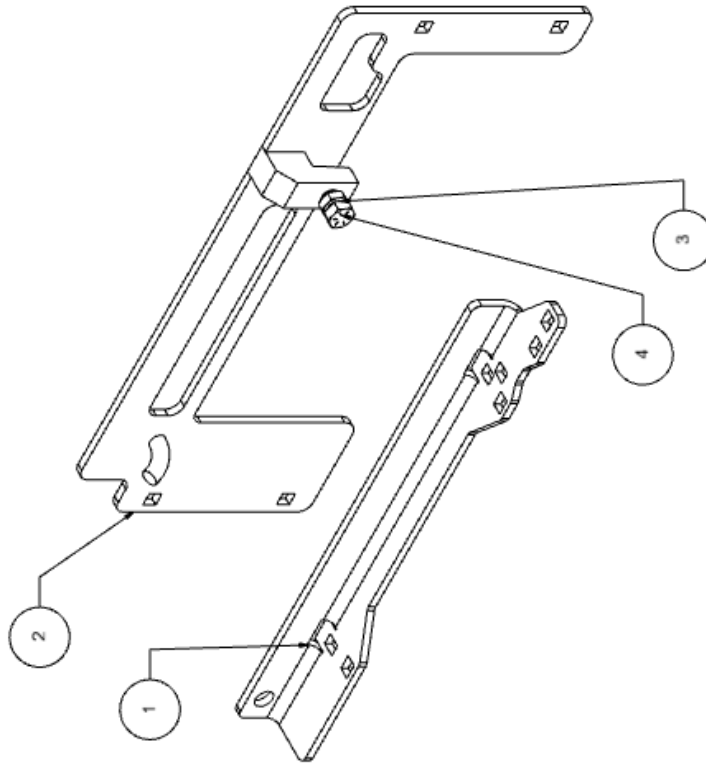


Item	Part Name	Part Number	Quantity
1	Gravley/Ferris adaptor	10-964	1
2	Exmark-Bobcat Intake Manifold	10-762	1
3	Hex Nylock Nut 1/2 - 13	90566A033	1
4	Hex Bolt GR5 1/2-13x1.5	92865A716	1
5	Grass Catcher Blockoff Plate	10-902	1
6	Carriage Bolt GR5_3/8 - 16 x 1	ROC-2131-624	2
7	Flange Locknut_3_8 - 16	93298A130	2

Copyright Kage Innovation All Rights Reserved www.kageinnovation.com (844) 314-KAGE



Replacement Parts for Gravely/Ariens Manifold (Katcher AND Grass Deflector)

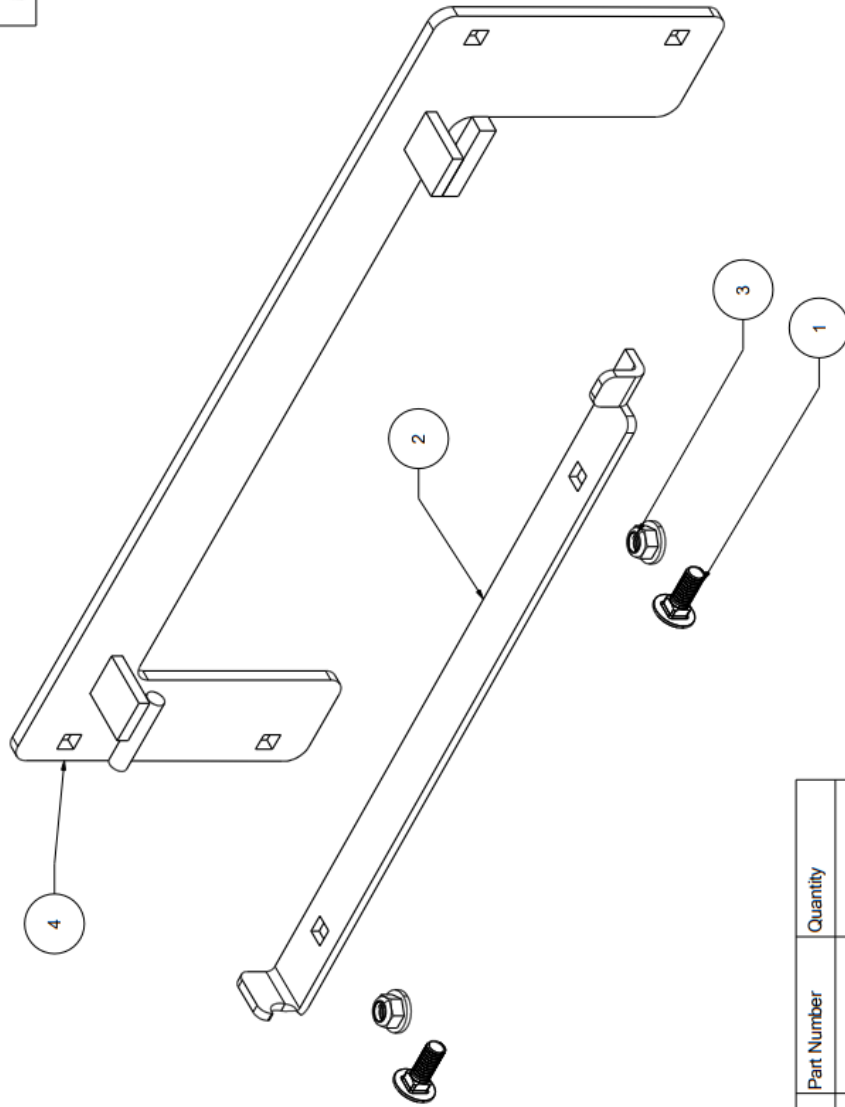


Item	Part Name	Part Number	Quantity
1	Gravely/Ferris adaptor	10-964	1
2	Exmark-Bobcat Intake Manifold	10-762	1
3	Hex Nylock Nut 1/2 - 13	90566A033	1
4	Hex Bolt GR5 1/2-13x1.5	92865A716	1

Copyright Kage Innovation All Rights Reserved www.kageinnovation.com (844) 314-KAGE



Replacement Parts for SCAG Manifold(for Katcher)

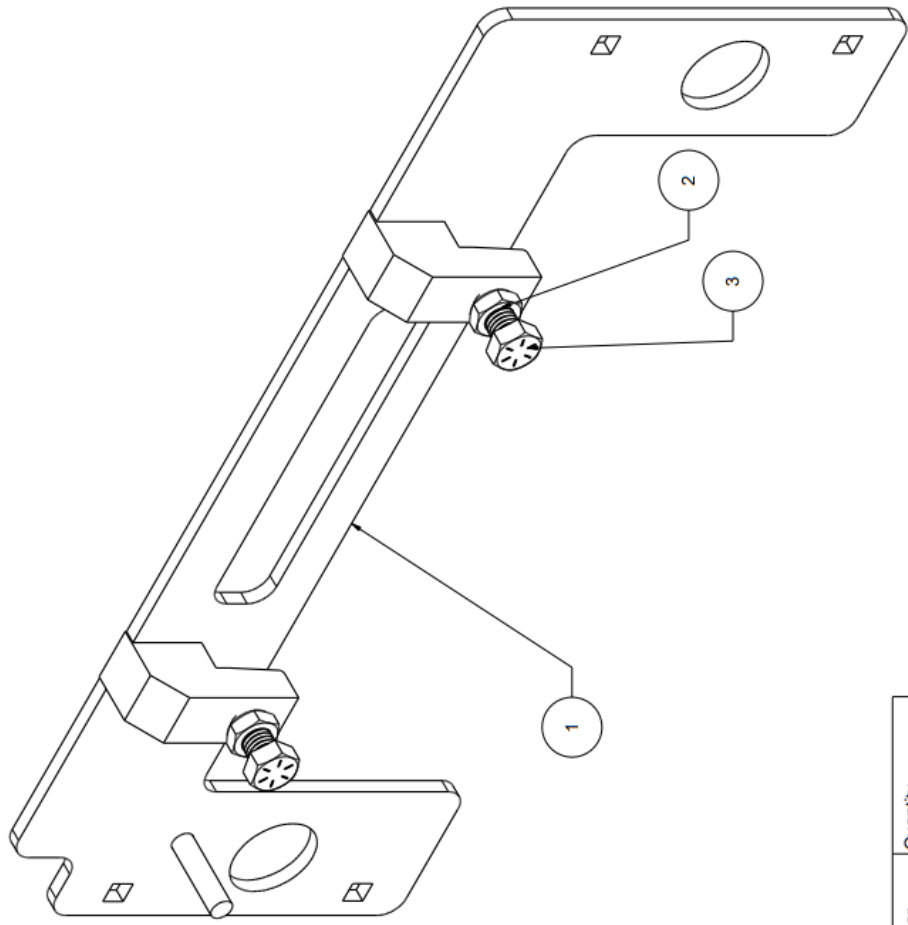


Item	Part Name	Part Number	Quantity
1	Carriage Bolt GR5, 3/8 - 16 x 1	ROC-2131-624	2
2	Wright to Scag Adaptor bracket	10-966	1
3	Flange Locknut, 3_8 -16	93298A130	2
4	Wright intake manifold	10-867	1

Copyright Kage Innovation All Rights Reserved www.kageinnovation.com (844) 314-KAGE



Replacement Parts for TORO Manifold (Katcher AND Grass deflector)

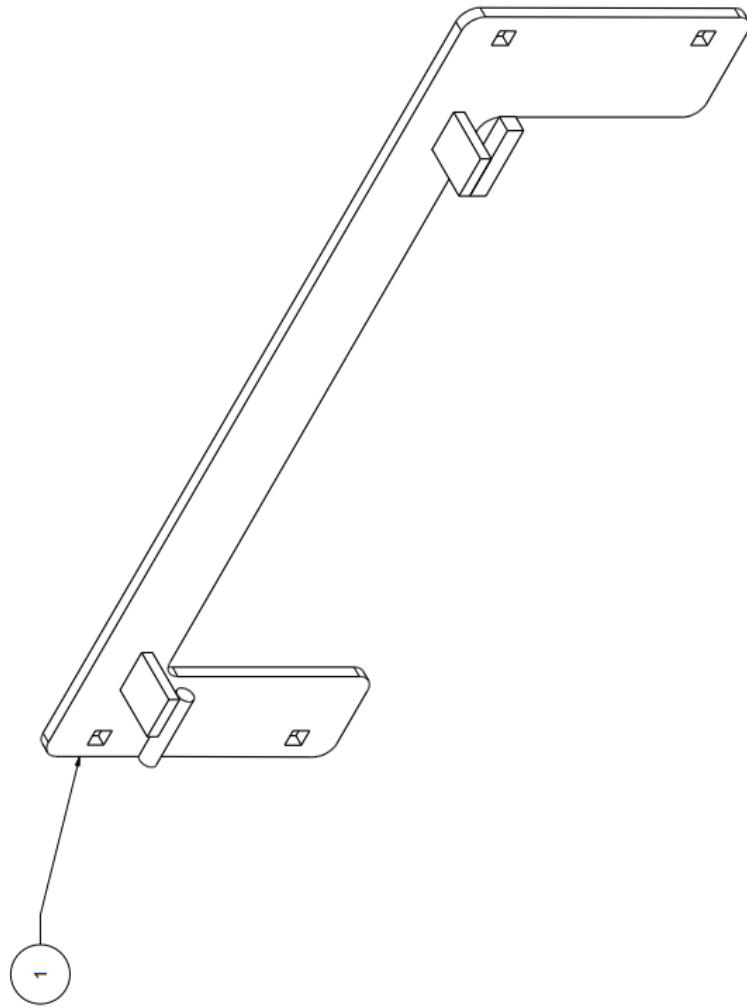


Item	Part Name	Part Number	Quantity
1	Toro intake Weldment	10-756	1
2	Hex Nylock Nut 1/2 - 13	90566A033	2
3	Hex Bolt 1-2-13 x 1.5	92865A716	2

Copyright Kage Innovation All Rights Reserved www.kageinnovation.com (844) 314-KAGE



Replacement Parts for Wright Manifold(for Katcher)

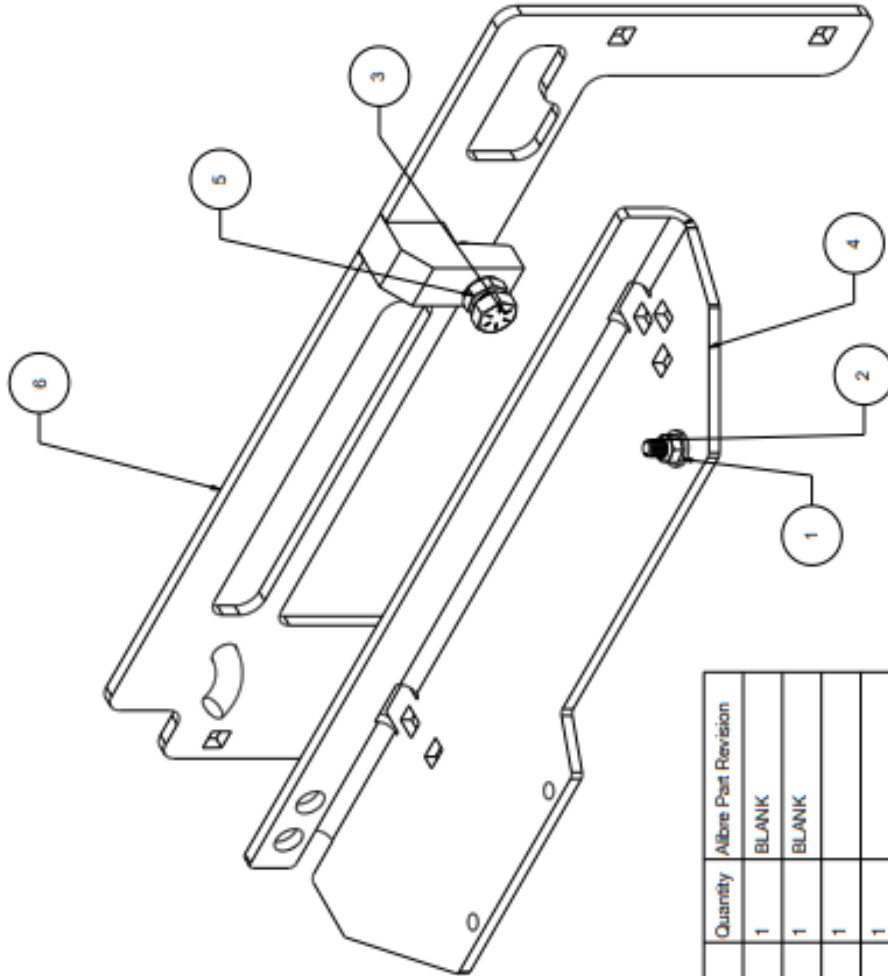


Item	Part Name	Part Number	Quantity
1	Wright intake manifold	10-867	1

Copyright Kage Innovation All Rights Reserved www.kageinnovation.com (844) 314-KAGE



Gravely ZT Replacement Parts (Grass Deflector and Grass Katcher)



Item	Part Name	Part Number	Quantity	Albre Part Revision
1	Flange Locknut 5/16-18	92018A320	1	BLANK
2	Carriage Bolt 5/16-18 x 1	90185A583	1	BLANK
3	Hex Bolt 1/2-13 x 1.5	92865A716	1	
4	Gravely ZT Manifold	10-974	1	
5	Hex Nylon Nut 1/2 - 13	90566A033	1	BLANK
6	Extruded Bobcat Intake Manifold	10-762	1	

Copyright Kage Innovation. All Rights Reserved. www.kageinnovation.com (844) 314-KAGE

Revision Comments

Date	Name	Description
12-1-2023	Mike	First Revision
1-5-2024	Josh	Added Ferris and Gravely Adaptors
1-15-2024	Josh	Added scag adaptor
2-10-2024	Josh	Updated pictures of manifolds with brackets
5-3-2024	Kyler	Added the Bobcat compatible Exmark Intake
7-5-2024	Josh	Removed Ferris specific bracket from spec sheet, updated Gravely
8-2-2024	Josh	Updated Master page, updated 10-1000 breakdown
8-7-2024	Josh	Updated toro render
10-5-2024	Josh	Added replacement breakdowns that correspond to each 10-1000 revision
12-31-2024	Josh	Added pictures to show installation of each manifold
5-27-2024	Josh	Fixed ST-1000 BOM breakdown, page 3, added QR codes for videos, page 6
8-8-2025	Josh	Added Gravely ZT manifold, pages 4, 6, 13
8-26-2025	Josh	Updated 10-1000 breakdown, page 2
9-12-2025	Josh	Added reference to scag turbo baffle, page 5
12-8-2025	Josh	Updated grass catcher 1000 assembly, page 3
2-5-2026	Josh	Moved block off plate, updated page 2, 8