



Grass Deflector™

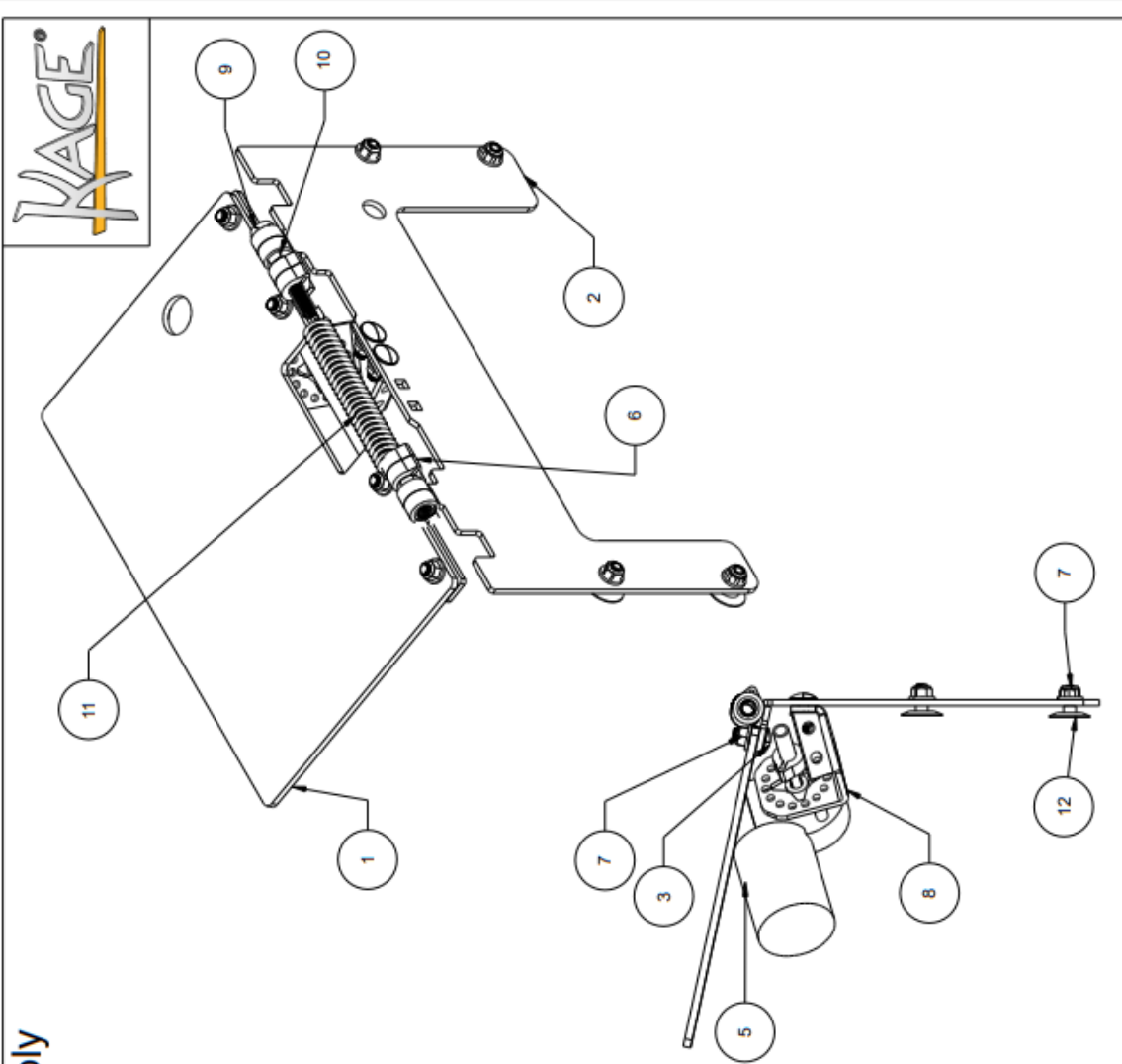
Owner's Manual

REV: 2025 7.2



Motorized Grass Deflector Assembly 230-4000

Item	Part Name	Part Number	Quantity
1	Plastic Grass Flap	122-5976	1
2	Grass Deflector Frame	122-8100	1
3	Carriage Bolt GR5, 3/8 - 16 x 1	ROC-2131-624	6
4	Grass Catcher Harness	10-200	1
5	Grass Deflector Left Hand Motor Assembly	230-3100	1
6	Grass Deflector Flap Bracket	122-8200	1
7	Flange Locknut, 3_8 -16	93298A130	10
8	Grass Deflector Motor Bracket	122-8322	1
9	Hex Bolt GR5 1.2 - 13 x 3.5	92865A726	2
10	Hex Nylock Nut 1/2 - 13	90566A033	2
11	Grass Deflector Torsion Spring	9588K59-K	1
12	Elevator Bolt 3-8 -16-1	92670A824	4
13	Grass Deflector Owner's Manual	122-6200	1



Copyright Kage Innovation. All Rights Reserved. www.kageinnovation.com (844) 314-KAGE

Motorized Grass Deflector Kit with Manifold
230-3000

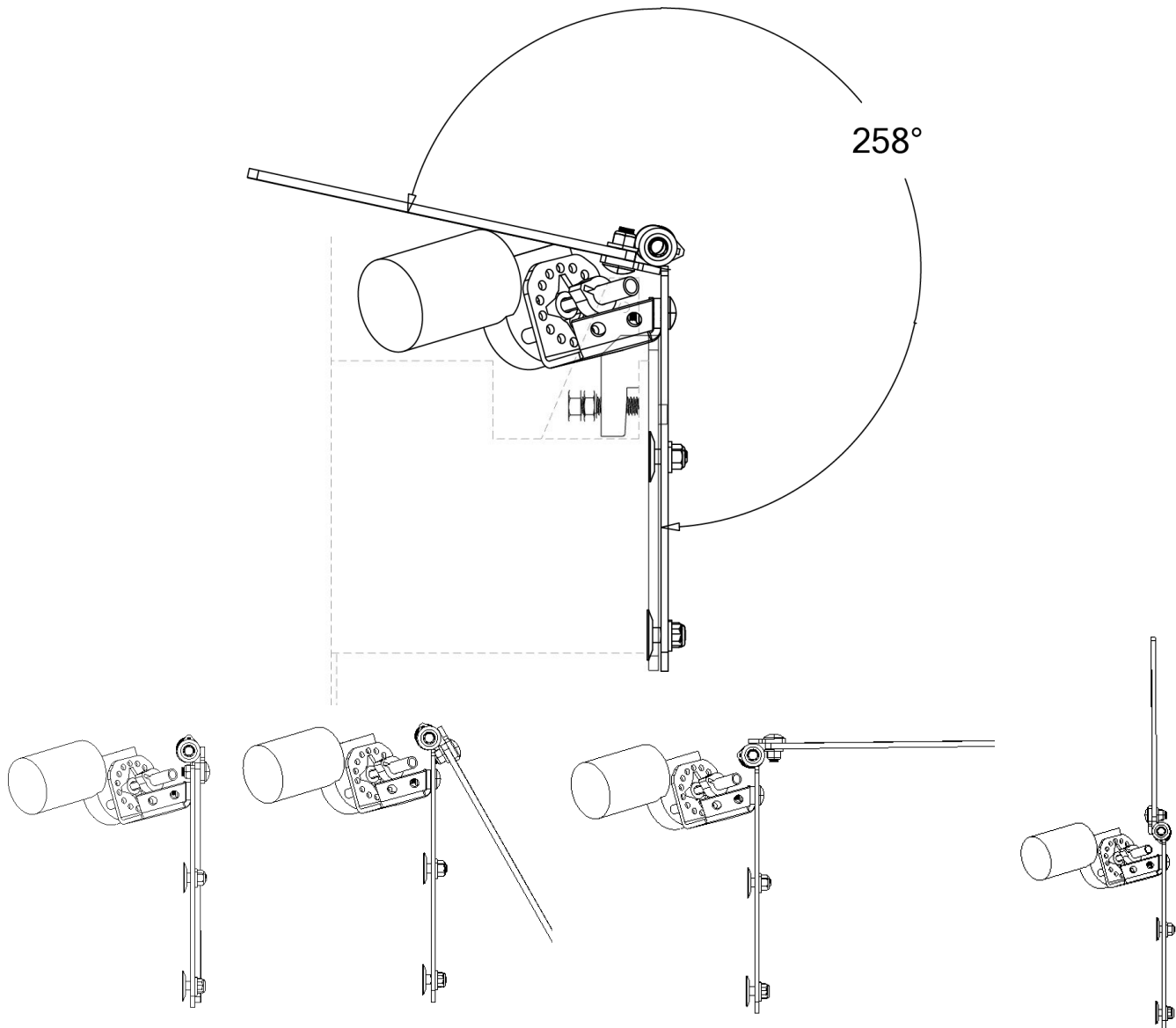
Item	Part Name	Part Number	Quantity
1	Motorized Grass Deflector	230-3000	1
2	Choose from one of these intake manifold options	10-762, 10-867, 10-756, 10-965, 10-967, 10-868, 10-971, 10-901	1

Copyright Kage Innovation All Rights Reserved www.kageinnovation.com (844) 314-KAGE



Grass Deflector Specifications

Available Mowers	Weight	Cycles per minute	Flap Rotation
Refer to "All intake Manifolds" sheet	20 lbs	38	Can fold up to almost 270 degrees back depending on mower





All Intake Manifolds

Exmark/Bobcat Intake Manifold

P/N: 10-762

Laser Z, Quest, Radius, Vertex, Turf-Tracer, Bobcat



Wright Intake Manifold

P/N: 10-867

Stander B, X, ZK, Walk-behinds, zXL, zXT



Toro Intake Manifold

P/N: 10-756

Z Master, Titan



Gravely/Ferris/Ariens Manifold Adaptor

P/N: 10-965

Note: Ferris w/ Grass Deflector should use P/N 10-868

Pro-Turn, ZT HD, Ariens Zenith, Apex, 300S, 500S, IS Series, ISX Series, SRS

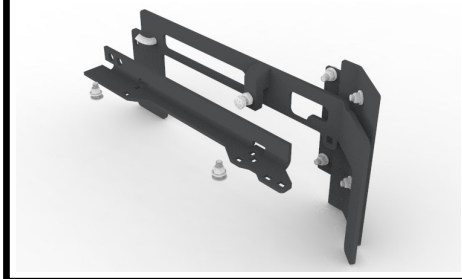


Ferris GD Manifold Adaptor

P/N: 10-868

Note: For Grass Deflector only

300S, 500S, IS Series, ISX Series, SRS Stand on,



SCAG Manifold Adaptor

P/N: 10-967

Note: We recommend using this in combination with SCAG part #424212(Turbo Baffle w/ Catcher)

Turf Tiger II, Cheetah II, Tiger Cat II, Patriot



Gravely ZT Manifold Adaptor

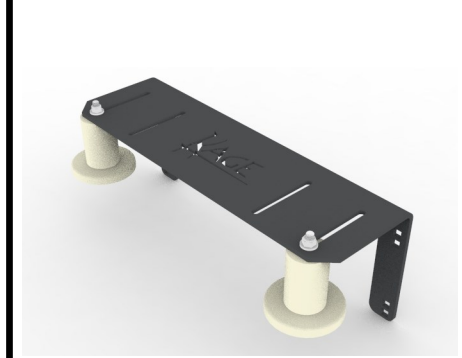
P/N: 10-971


ZT, ZT X, ZT XL

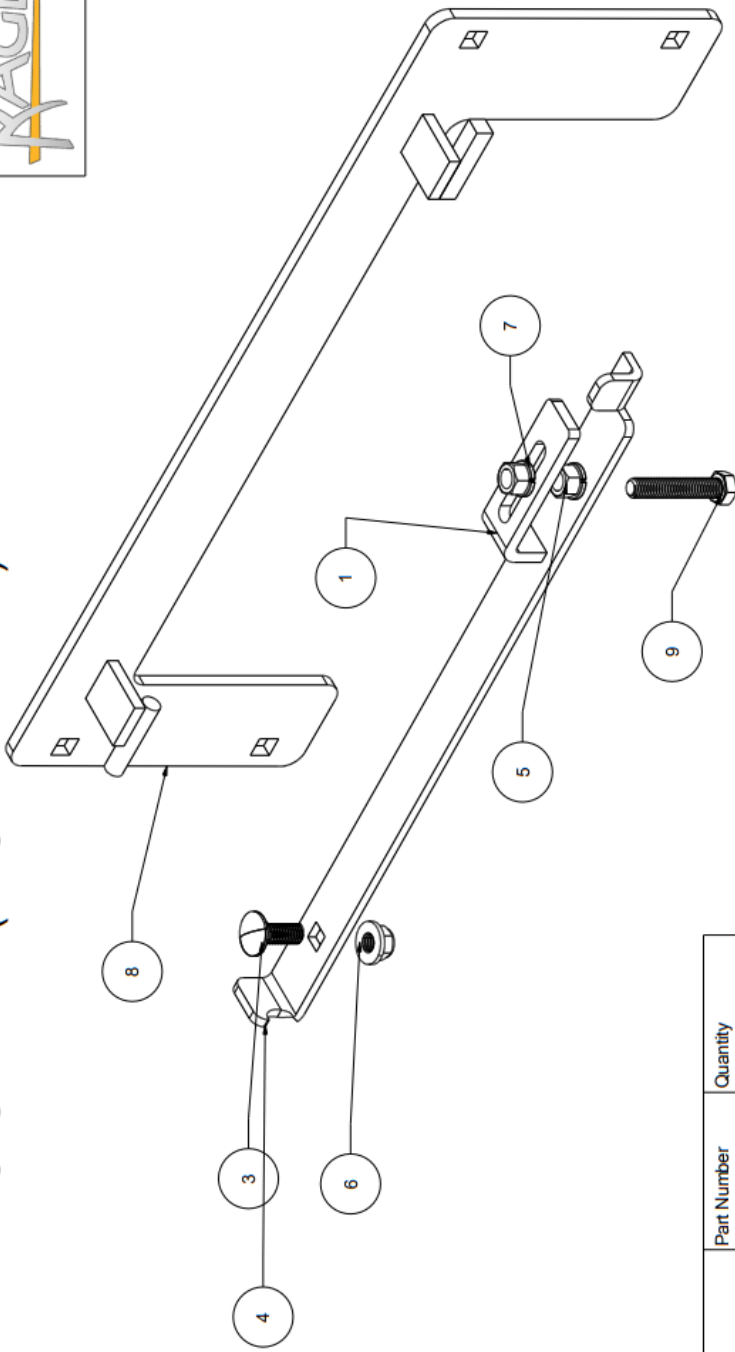


Universal Magnetic Adaptor

P/N: 10-901







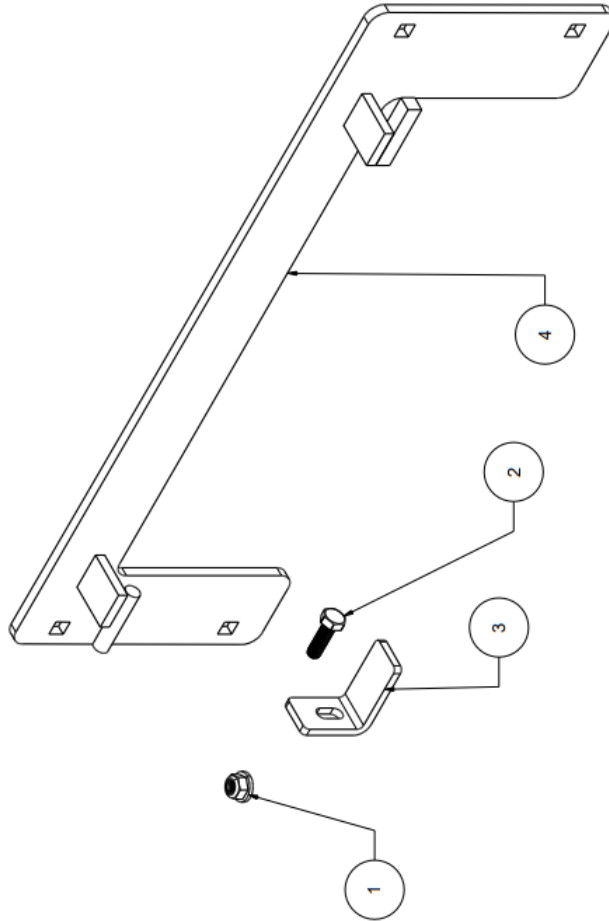
Replacement Parts for SCAG Manifold (for Grass Deflector)

Item	Part Name	Part Number	Quantity
1	Grass Deflector Scag Clamp	230-2001	1
3	Carriage Bolt GR5, 3/8 - 16 x 1	ROC-2131-624	1
4	Wright to Scag Adaptor bracket	10-966	1
5	Hex Nut, 3/8 - 16	95462A031	2
6	Flange Locknut, 3_8 -16	93298A130	1
7	Lockwasher, 3_8	ROC-8076-031	2
8	Wright intake manifold	10-867	1
9	Hex Bolt GR5 3_8-16 x 2	92865A632	1

Copyright Kage Innovation. All Rights Reserved. www.kageinnovation.com (844) 314-KAGE



Replacement Parts for Wright Manifold (for Grass Deflector)

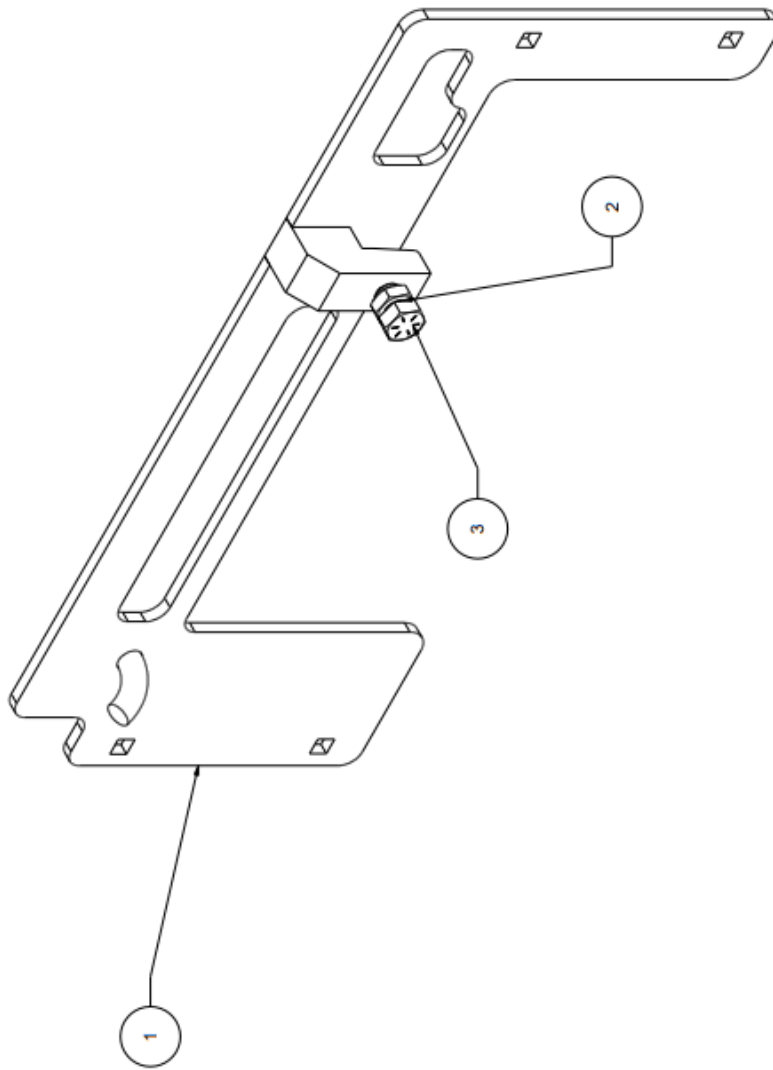


Item	Part Name	Part Number	Quantity
1	Flange Locknut 5/16-18	92018A320	1
2	Hex Bolt GR5 5/16-18 x 1	92865A583	1
3	Wright Intake Manifold Brace	230-2002	1
4	Wright intake manifold	10-867	1

Copyright Kage Innovation All Rights Reserved www.kageinnovation.com (844) 314-KAGE



Replacement Parts for Exmark/Bobcat Intake Manifold (for Katcher AND Grass deflector)

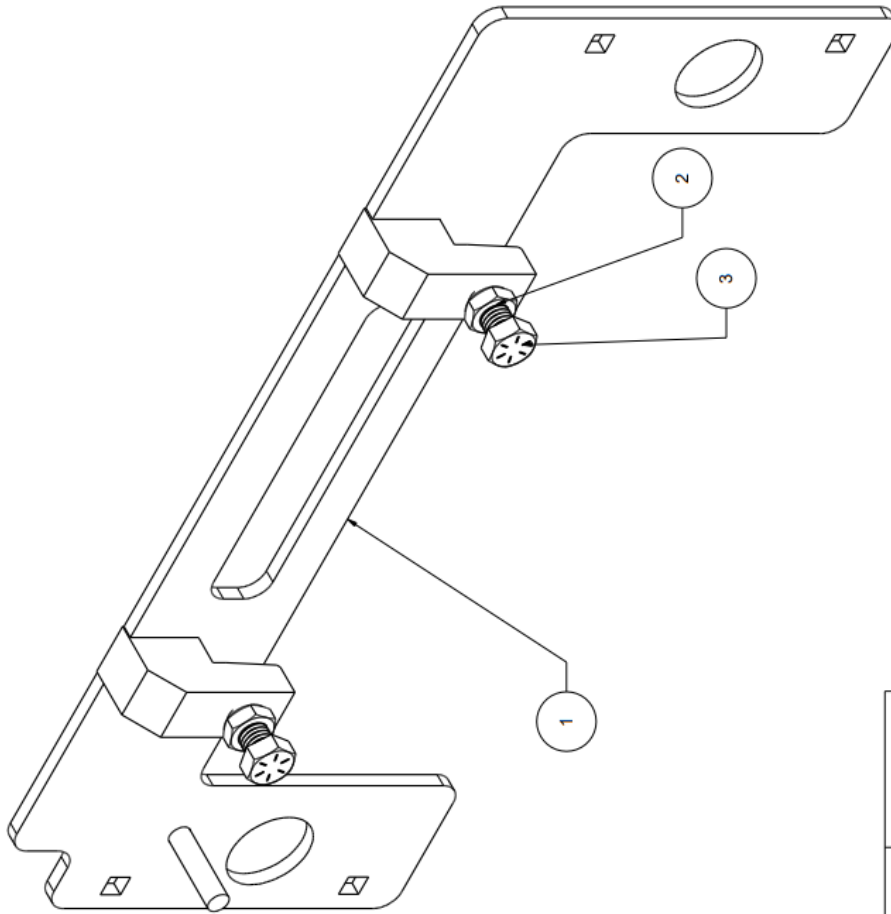


Item	Part Name	Part Number	Quantity
1	Exmark-Bobcat Intake Manifold	10-762	1
2	Hex Nylock Nut 1/2 - 13	90566A033	1
3	Hex Bolt GR5 1/2-13x1.5	92865A716	1

Copyright Kage Innovation All Rights Reserved www.kageinnovation.com (844) 314-KAGE



Replacement Parts for TORO Manifold (Katcher AND Grass deflector)

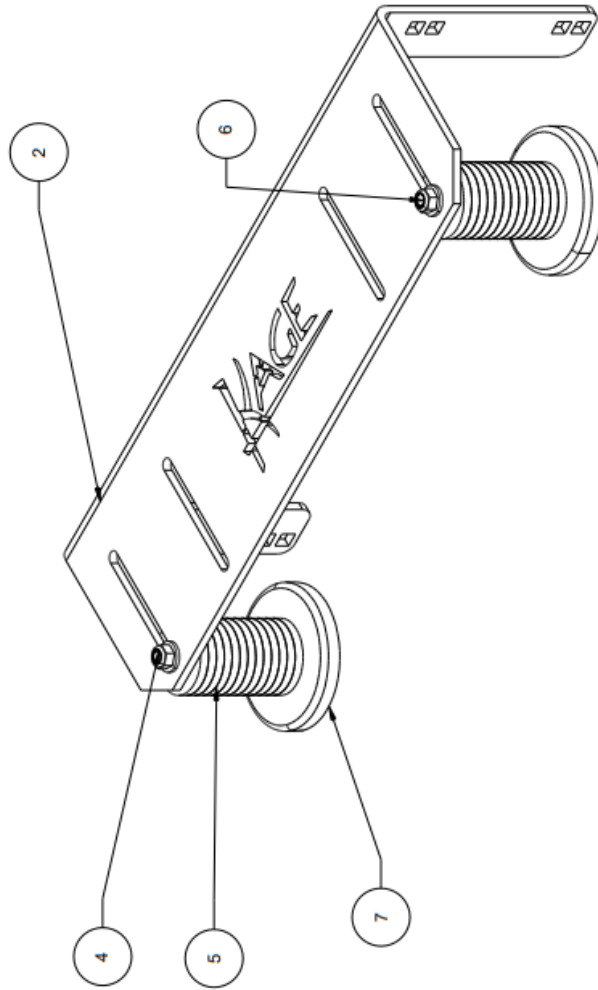


Item	Part Name	Part Number	Quantity
1	Toro intake Weldment	10-756	1
2	Hex Nylock Nut 1/2 - 13	90566A033	2
3	Hex Bolt 1-2-13 x 1.5	92865A716	2

Copyright Kage Innovation All Rights Reserved www.kageinnovation.com (844) 314-KAGE




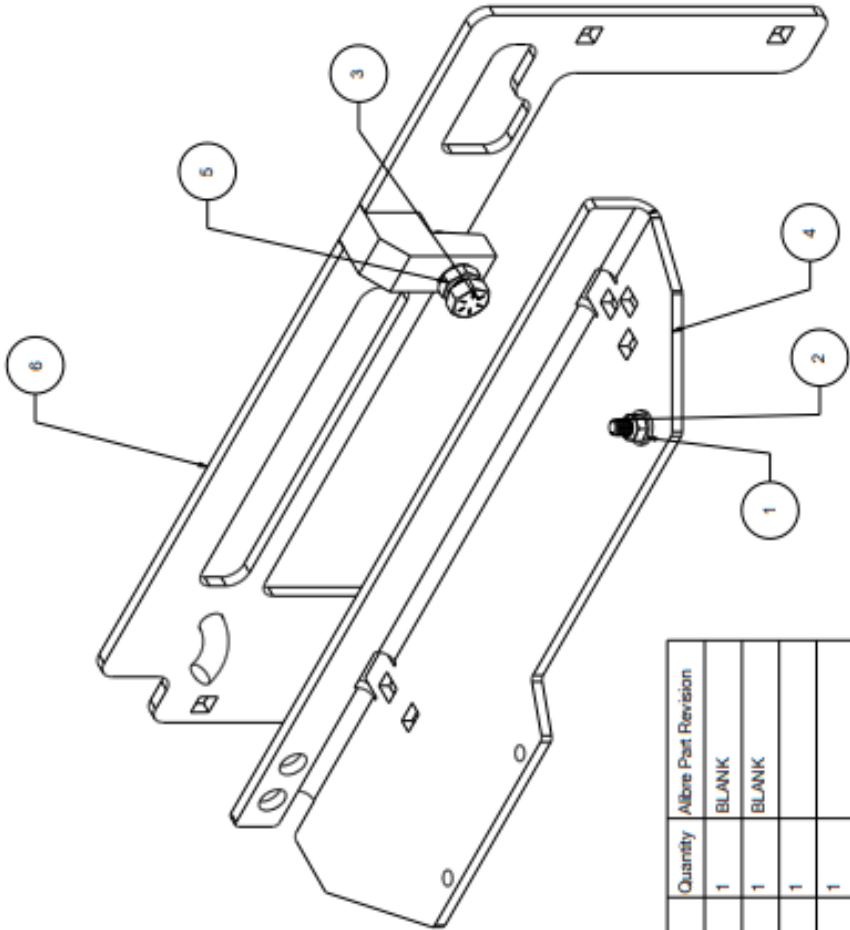
Replacement Parts for Universal Manifold (Grass Deflector Only)



Item	Part Name	Part Number	Quantity
2	Universal Deflector Mount	10-501	1
4	Flange Locknut, 3_8 -16	93298A130	2
5	Universal Mount Magnet Spacer	10-502	26
6	Hex Bolt 3/8-16 x 4	92865A641	2
7	Universal Deflector Mount Magnet	5685K44	2

Copyright Kage Innovation. All Rights Reserved. www.kageinnovation.com (844) 314-KAGE





**Gravely ZT Replacement Parts
(Grass Deflector and Grass Katcher)**

Item	Part Name	Part Number	Quantity	Alt/Re Part Revision
1	Flange Locknut 5/16-18	92018A320	1	BLANK
2	Carriage Bolt 5/16-18 x 1	90185A583	1	BLANK
3	Hex Bolt 1/2-13 x 1.5	92865A716	1	
4	Gravely ZT Manifold	10-974	1	
5	Hex Nylock Nut 1/2 - 13	90566A033	1	BLANK
6	Exmark Bobcat Intake Manifold	10-762	1	

Copyright Kage Innovation. All Rights Reserved. www.kageinnovation.com (844) 314-KAGE

Replacement Parts for Ferris Manifold (Deflector Only)

To mount these two brackets, you will need to drill two holes into your flap. Bolt the brackets together first, then line them up on your flap and drill the two mounting holes.

Item	Part Name	Part Number	Quantity
1	Carriage Bolt GR5, 3/8 - 16 x 1	ROC-2131-624	6
2	Flange Locknut, 3/8 - 16	93298A130	6
3	Grass deflector Extension Bracket	10-101	1
4	Ferris Intake Manifold Weldment	10-223	1
5	Grass Deflector Extension	10-102	1
6	Hex Bolt 1-2-13 x 1.5	92865A716	1
7	Hex Nylock Nut 1/2 - 13	90566A033	1
8	Gravley Ferris adaptor	10-964	1

Copyright Kage Innovation All Rights Reserved www.kageinnovation.com (844) 314-KAGE

Additional parts for WRIGHT and SCAG mowers

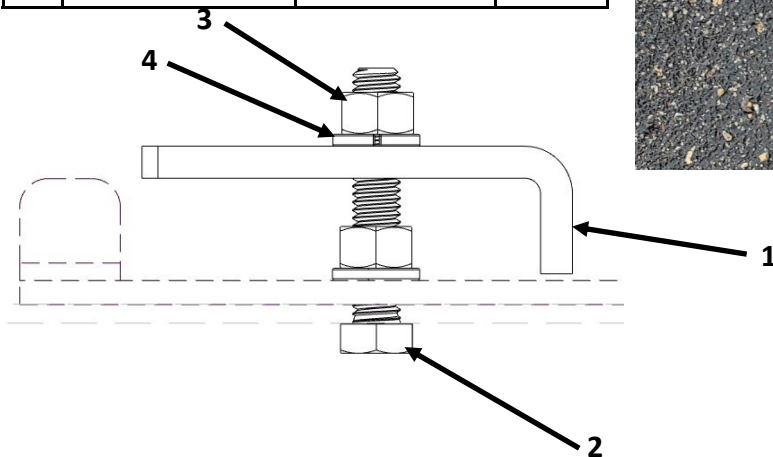
WRIGHT:

#	Part Name:	Part Number	Quantity
1	Wright Intake Manifold Brace	230-2002	1
2	Hex Bolt GR5 5/16-18 x 1	92865A583	1
3	Flange Locknut 5/16-18	92018A320	1



SCAG:

#	Part Name:	Part Number	Quantity
1	Grass Deflector SCAG Clamp	230-2001	1
2	Hex Bolt GR5 3/8-16x 2	92865A632	1
3	Hex Nut, 3/8 - 16	95462A031	2
4	Lockwasher, 3_8	ROC-8076-031	2

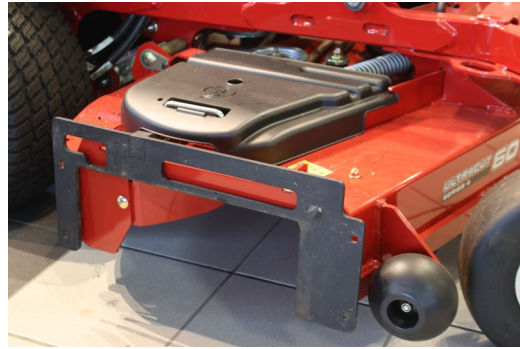


KAGE Deflector Owners Manual

Revision #2025 4.7

Intake Manifold Installation References

Exmark/Bobcat:



Gravelly/Ariens



TORO:



Wright:



KAGE Deflector Owners Manual

Revision #2025 7.2

Intake Manifold Installation References

SCAG:

Note: Two 3/8 holes must be drilled into deck for mounting bracket

It is highly recommended to install your SCAG Turbo Baffle (SCAG part #424212) before installing this manifold to prevent any interference



Gravely ZT, ZT X, ZT XL:



Ferris:



Universal Magnetic



Kage Limited Warranty

Kage Innovation will repair or, at the option of Kage Innovation, replace those parts which prove defective due to material or workmanship under normal use for a period of two (2) years from the date of retail sale or date of invoice from Kage Innovation, whichever is later. Expendable items, such as rubber, or polyurethane are excluded from this warranty.

Kage Innovation warrants that the products manufactured by us to be in accordance with our published specifications or those specifications agreed to by us in writing at the time of sale. The obligation of Kage Innovation is expressly limited to repairing or replacing, at its option, any product not meeting such specifications within the warranty period.

LIMITATIONS OF WARRANTY AND DAMAGES

KAGE INNOVATION MAKES NO OTHER WARRANTY, EXPRESSED OR IMPLIED, AND MAKES NO WARRANTY OF MERCHANTABILITY OR OF FITNESS FOR ANY PARTICULAR PURPOSE. THERE ARE NO WARRANTIES WHICH EXTEND BEYOND THE FACE HEREOF.

IN NO EVENT SHALL KAGE INNOVATION, BE HELD LIABLE FOR SPECIAL, INCIDENTAL OR CONSEQUENTIAL DAMAGES OR FOR DAMAGES RESULTING FROM MISAPPLICATION, ABUSE, MISUSE, ACTS OF GOD, UNAUTHORIZED ALTERATION OF THE KAGE INNOVATION PRODUCT, OR SUBSTITUTION OF PARTS NOT AUTHORIZED IN WRITING BY KAGE INNOVATION.

To obtain service under this warranty the consumer must return the defective Kage Innovation product to Kage Innovation directly, the dealer from which the product was purchased or to any authorized Kage Innovation dealer, transportation and freight charges prepaid. Only Kage Innovation dealers are authorized to perform the obligations under this warranty with pre-authorization from Kage Innovation.

No person is authorized to alter or amend this warranty or to create any warranty other than that set forth herein without the expressed written consent of Kage Innovation.

Kage Innovation reserves the right to make improvement changes on any of our products without prior notice.

Revision Comments

Date	Name	Description
7/8/2022	Josh	First Revision
7/18/2024	Mike	Updated Wright Manifold pic
10-5-2024	Josh	Added Breakdowns corresponding to each 200-3000 revision
4/7/2025	Kyler	Added pictures of all manifolds on each mower deck, made Scag breakdown more detailed, and added Scag instructions.
5/6/2025	Josh	Updated scag replacement parts page, fixed error on additional parts, page 6, page 11
7/2/2025	Kyler	Added new Ferris, Gravely, and Universal breakdowns and got rid of the old Ferris breakdown.
7/11/2025	Josh	Updated All intake manifolds, page 5, updated page 12, 14, 15
8/7/2025	Josh	Fixed part number on All intake manifolds, page 5
9/12/2025	Josh	Added reference to scag turbo baffle, page 15
12/8/2025	Josh	Updated 230-3000 breakdown, page 3